



record FlipFlow

Spare parts manual

Your global partner for entrance solutions

www.record.group

Document identification

Article nr.: 121-006454822
Version: 1.0
Publication date: 10/8/2024

Translation of the original manual

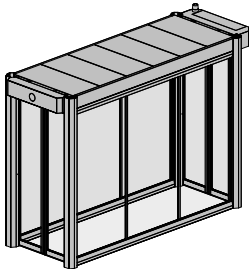
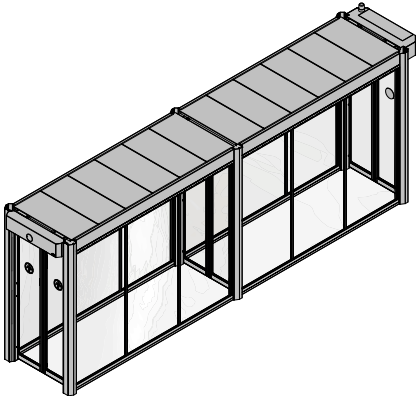
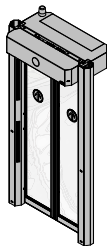
Subject to technical modifications
Copyright © agtatec ag

Table of contents

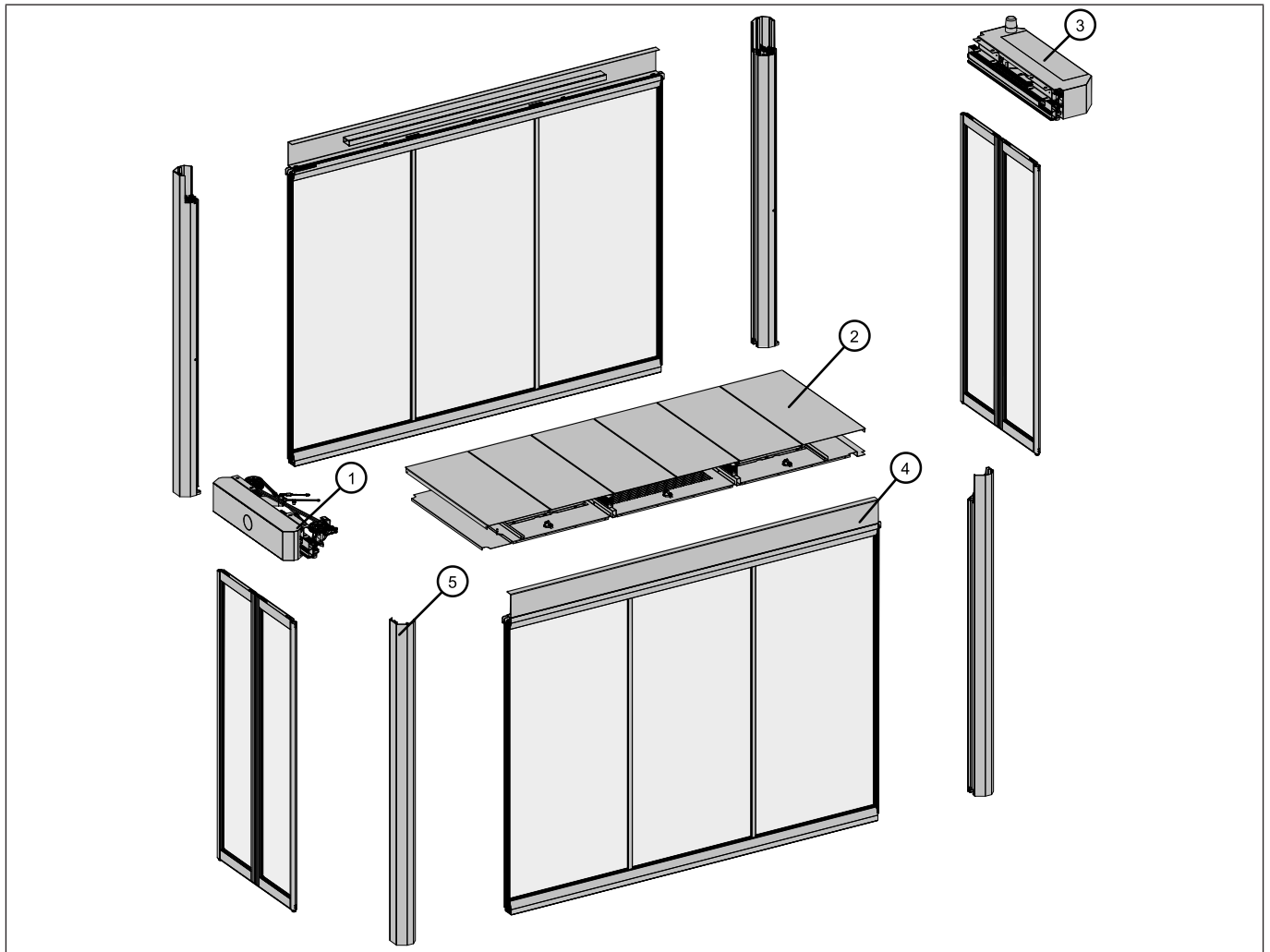
1	Product versions - From November 2023	4
1.1	Twin	4
1.1.1	Entrance	5
1.1.2	Ceiling	8
1.1.3	Exit	10
1.1.4	Side panel	13
1.1.5	Posts	14
1.2	Triple	15
1.2.1	Entrance Tunnel 1	16
1.2.2	Ceiling Tunnel 1	19
1.2.3	Entrance Tunnel 2	21
1.2.4	Ceiling Tunnel 2	24
1.2.5	Exit	26
1.2.6	Side panel	29
1.2.7	Posts	30
1.3	Wide	31
1.3.1	Entrance, Exit	32
1.3.2	Posts	35
2	Product versions - Till November 2023	36
2.1	Twin	36
2.1.1	Entrance	37
2.1.2	Ceiling	40
2.1.3	Exit	42
2.1.4	Side panel	45
2.1.5	Posts	47
2.2	Single	49
2.2.1	Entrance	50
2.2.2	Ceiling	53
2.2.3	Side panel	55
2.2.4	Posts	57
2.3	Triple	59
2.3.1	Entrance Tunnel 1	60
2.3.2	Ceiling	63
2.3.3	Entrance Tunnel 2	65
2.3.4	Exit	68
2.3.5	Side panel	71
2.3.6	Posts	73
2.4	Wide	75
2.4.1	Entrance, Exit	76
2.4.2	Posts	79
3	Options	81
3.1	Advanced	81
3.2	Extended	82
3.3	Handrail	83

1 Product versions - From November 2023

1 Product versions - From November 2023

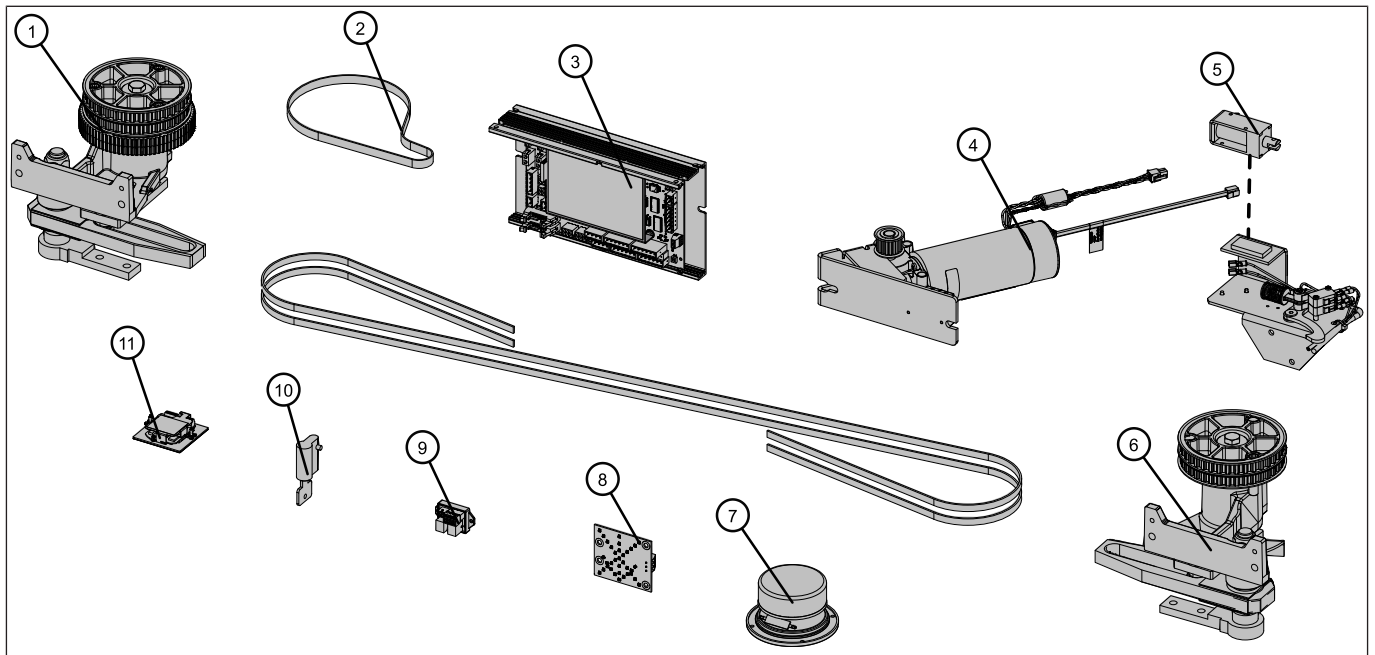
Exit Lane / FlipFlow		
		
Twin <i>Twin</i> [▶ 4]	Triple <i>Triple</i> [▶ 15]	Wide <i>Wide</i> [▶ 31]

1.1 Twin



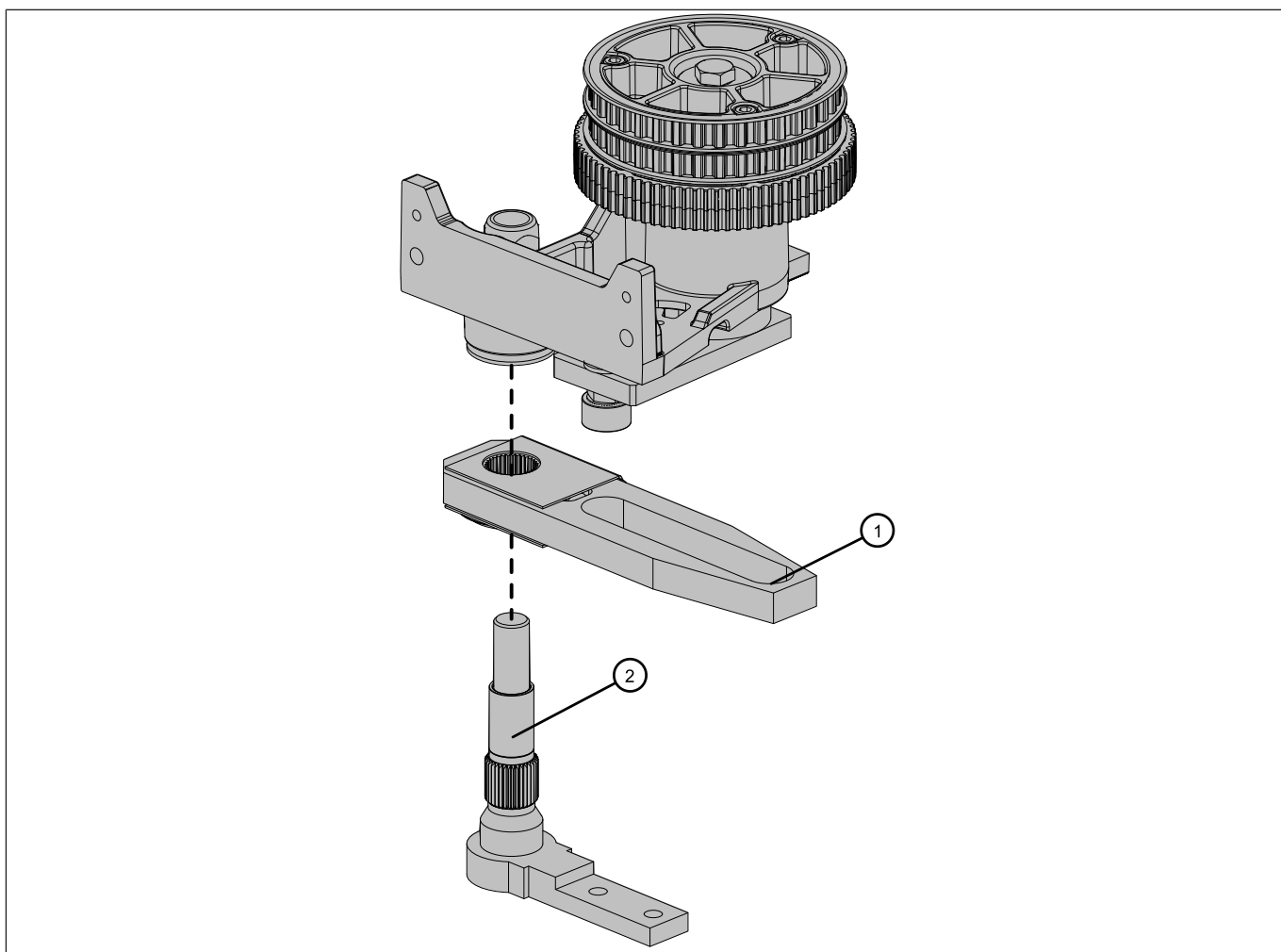
Pos.	Description	Record Art. No.	ASSA ABLOY Art. No.
1	Entrance <i>Entrance</i> [▶ 5]	-	-
2	Ceiling <i>Ceiling</i> [▶ 8]	-	-
3	Exit <i>Exit</i> [▶ 10]	-	-
4	Side panel <i>Side panel</i> [▶ 13]	-	-
5	Posts <i>Posts</i> [▶ 14]	-	-

1.1.1 Entrance

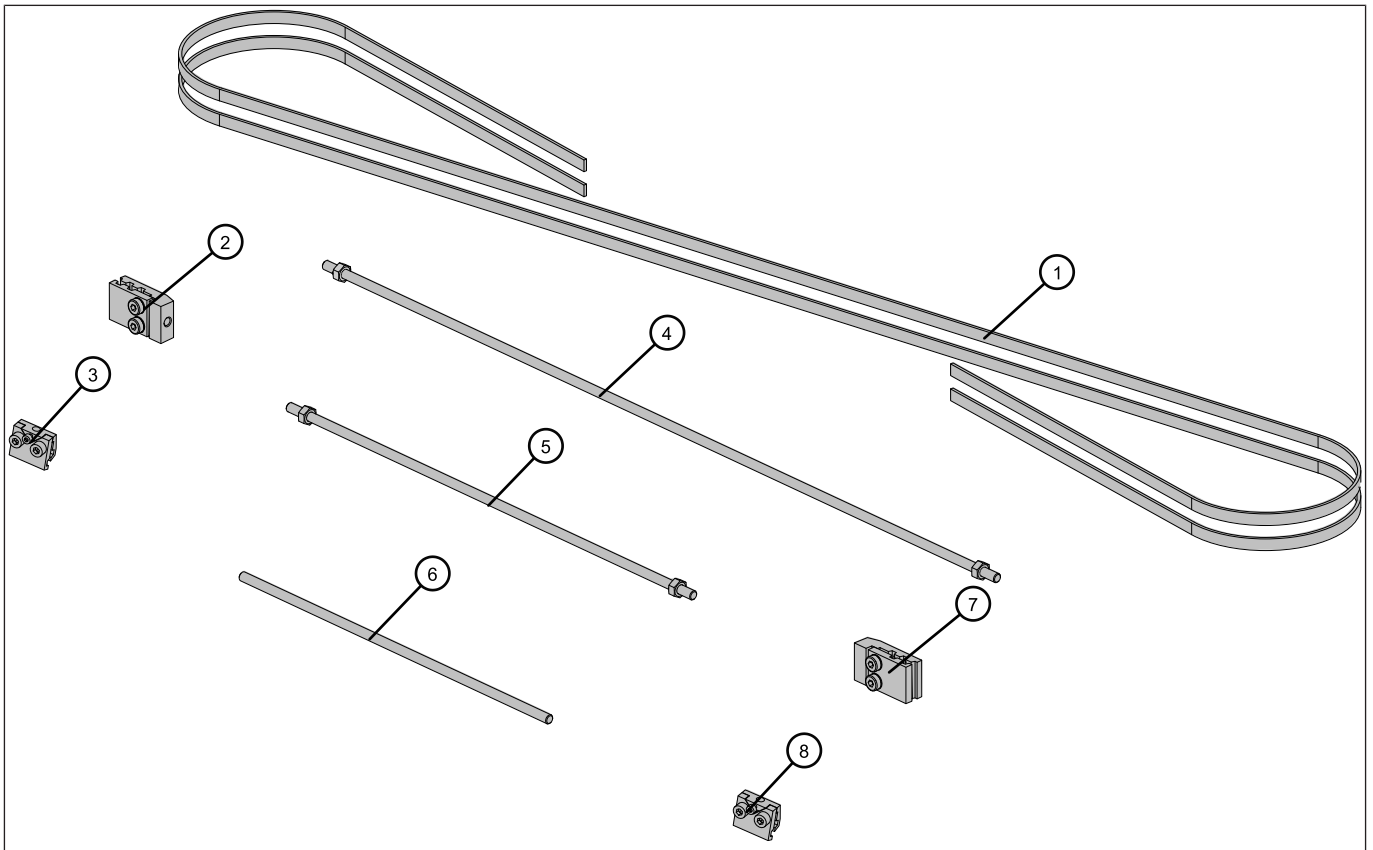


Pos.	Description	Record Art. No.	ASSA ABLOY Art. No.
1	FlipFlow bearing bock right with arm (Project specific)	121-103816644	33121-103816644
2	Gear-belt RPP Gold 535-GLD5M15	102-123809	33102-123809
3	Cabine control SST200	121-267815704	33121-267815704
4	Drive unit ATE FTA 20	102-107810186	33102-107810186
5	Holding magnet, replaced by: Locking device cpl.	102-013080008 102-102808005	No spare part 33102-102808005
6	FlipFlow left bearing bock with arm (Project specific)	121-103816643	33121-103816643
7	Speaker	121-118585	33121-118585
8	PCB assembly Pict FlipFlow	102-102507000	33102-102507000
9	CAN-Adaptor cpl	102-166808899	33102-166808899
10	Half cylinder type Wilka 30mm	121-115860	33121-115860
11	Control panel BDE-D EU FlipFlow with LCD display	102-903816683	33102-903816683

1 Product versions - From November 2023



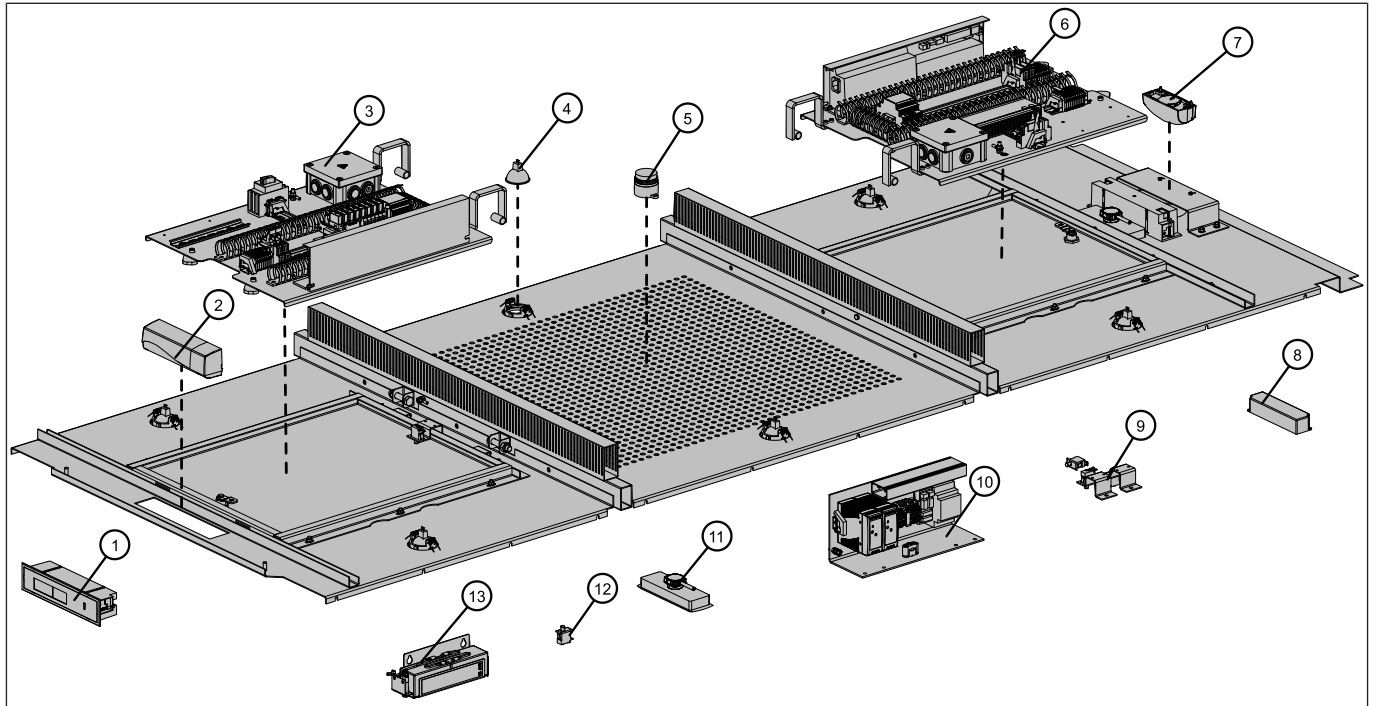
Pos.	Description	Record Art. No.	ASSA ABLOY Art. No.
1	Inner lever complete A<1500	102-100044000	33102-100044000
2	Output shaft cpl	102-100042000	33102-100042000



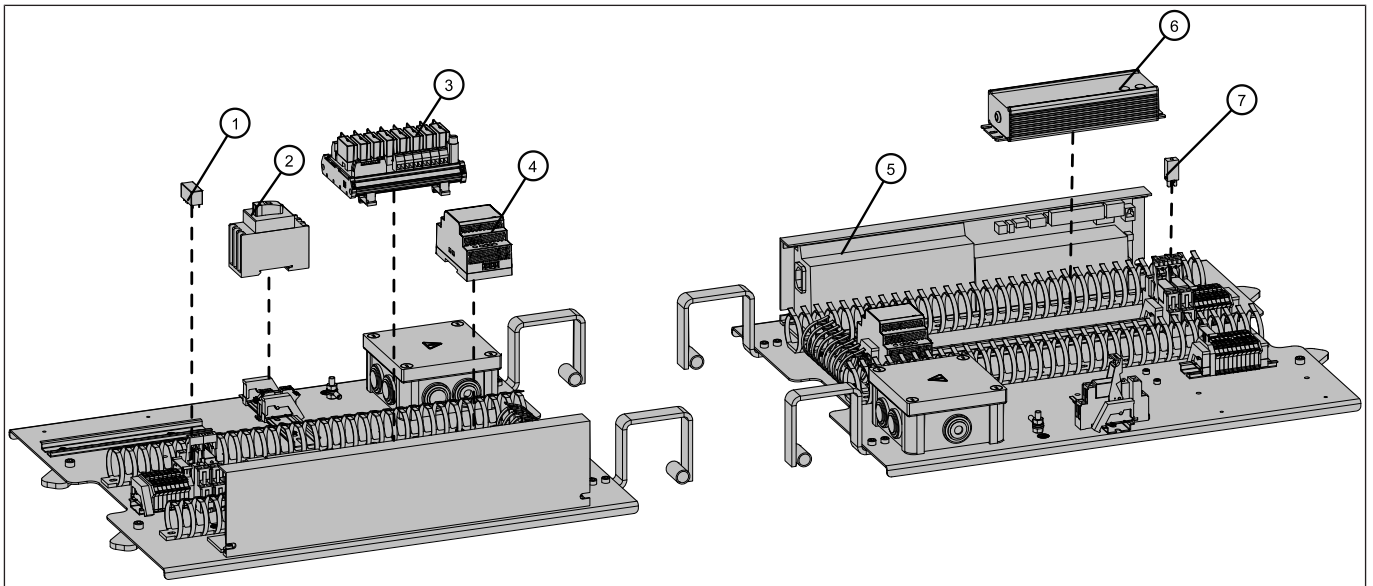
Pos.	Description	Record Art. No.	ASSA ABLOY Art. No.
1	Toothed drive belt Breco 8T10/M-DL	102-033029	33102-033029
2	Belt coupler, right, complete, FlipFlow A=900mm	102-105001000	33102-105001000
3	Belt coupler left complete FlipFlow A=650 mm	102-102808003	33102-102808003
4	Tension rod long, FTA A=1100-1600 mm, FlipFlow A=1100 mm	102-105001004	33102-105001004
5	Tension rod medium, FTA A=800-1100mm, FlipFlow A=900mm	102-105001003	33102-105001003
6	Tension rod short, FTA A<800 mm, FlipFlow A=650 mm	102-102108008	33102-102108008
7	Belt coupler left, complete, FlipFlow A=900-1400mm	102-105002000	33102-105002000
8	Belt coupler right complete, FlipFlow A=650 mm	102-102808002	33102-102808002

1 Product versions - From November 2023

1.1.2 Ceiling



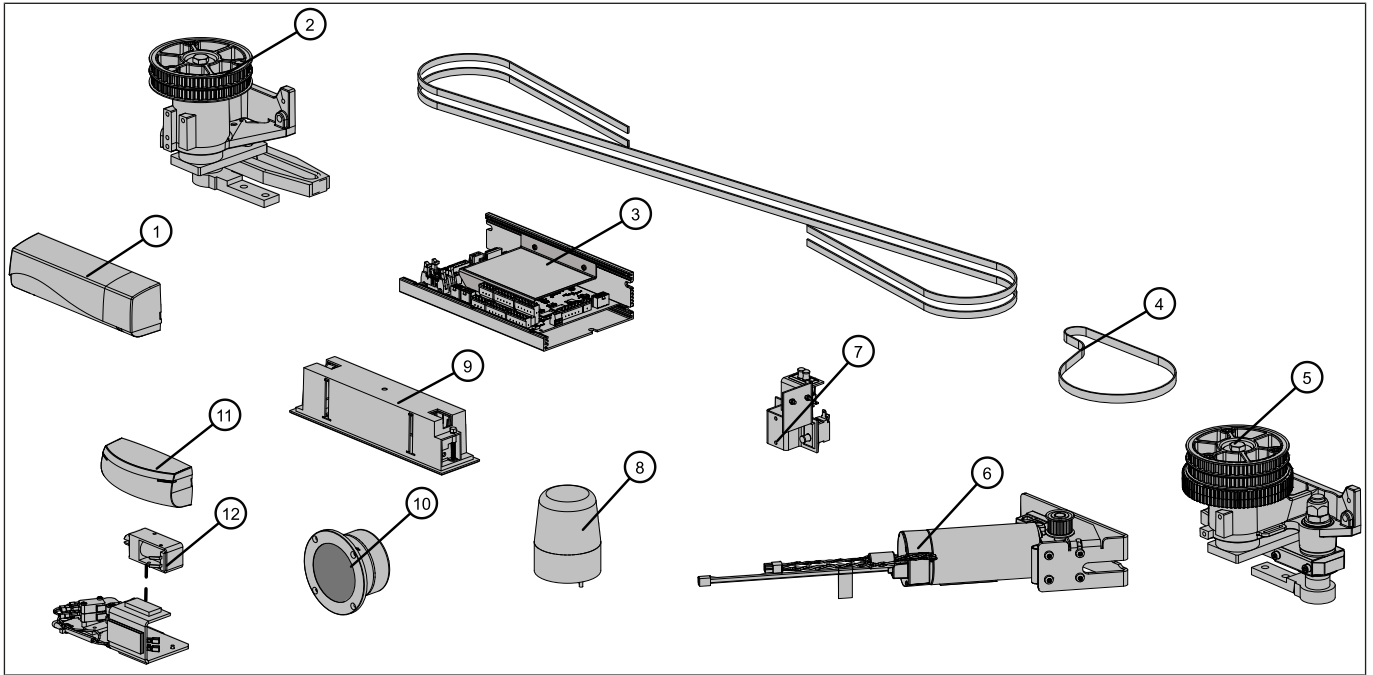
Pos.	Description	Record Art. No.	ASSA ABLOY Art. No.
1	IXIO-S CA ceiling mounting kit	121-127905	33121-0127905
2	IXIO ST black	121-115074	33121-115074
3	FlipFlow V3 MP1 (Project specific)	121-103816612	33121-103816612
	FlipFlow V3 MP1.1 -Additional relay boards (Project specific)	121-103816580	33121-103816580
4	OSRAM LED Spotlight PMR163536	121-118880	33121-118880
5	AE35M-02 Buzzer small 6-28 Volt 100dB	121-005900206	33121-005900206
6	FlipFlow V3 Basic MP2 (Project specific)	121-103816610	33121-103816610
	FlipFlow V3 Basic MP2.1 -with Extended (Project specific)	121-103816611	33121-103816611
7	Eagle ARTEK black	121-127891	33121-0127891
8	LPV-60-12 Power Supply	121-118874	33121-118874
9	MS 3 surveillance switch UL	121-102813464	33121-102813464
10	Running light control unit FF MP5	121-102814798	33121-102814798
11	TOF-3D Sensor Direction	121-007110061	33121-007110061
12	Roof panel sensor	121-118827	33121-118827
13	Lead-acid battery cpl	121-000808036	33121-000808036



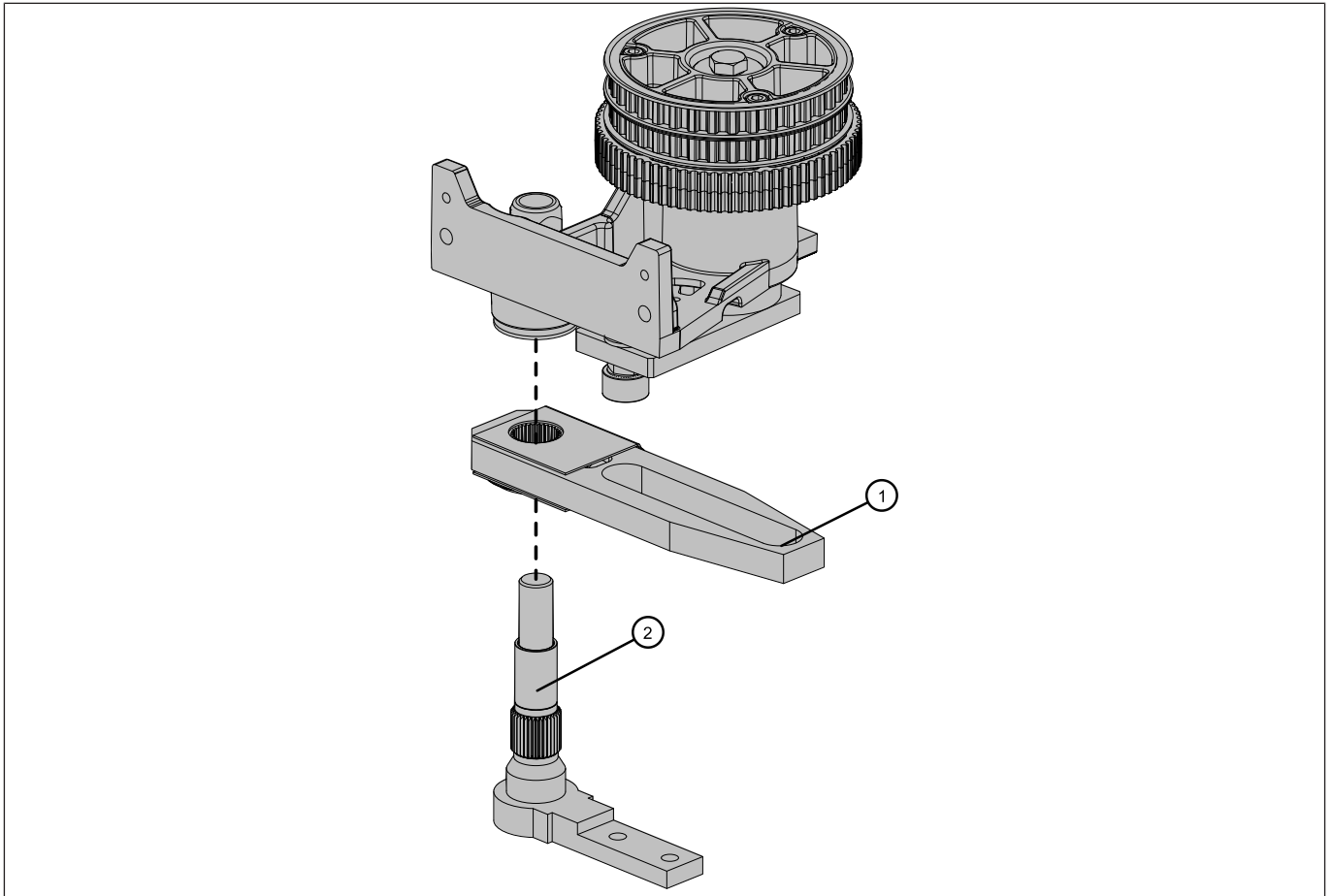
Pos.	Description	Record Art. No.	ASSA ABLOY Art. No.
1	Relay Print standing 20VDC 8A	102-013635	33102-013635
2	Lovato Electric GA016ARY	121-127631	33121-0127631
3	FlipFlow Relay plate	121-005901178	33121-005901178
4	Mean Well HDR-60-24	121-127630	33121-0127630
5	STM20 Control Module	102-020808408	33102-020808408
6	Mean Well Typ HLG-80H-12A	121-127629	33121-0127629
7	LED Module free-wheeling diode 24V	102-013655	33102-013655

1 Product versions - From November 2023

1.1.3 Exit

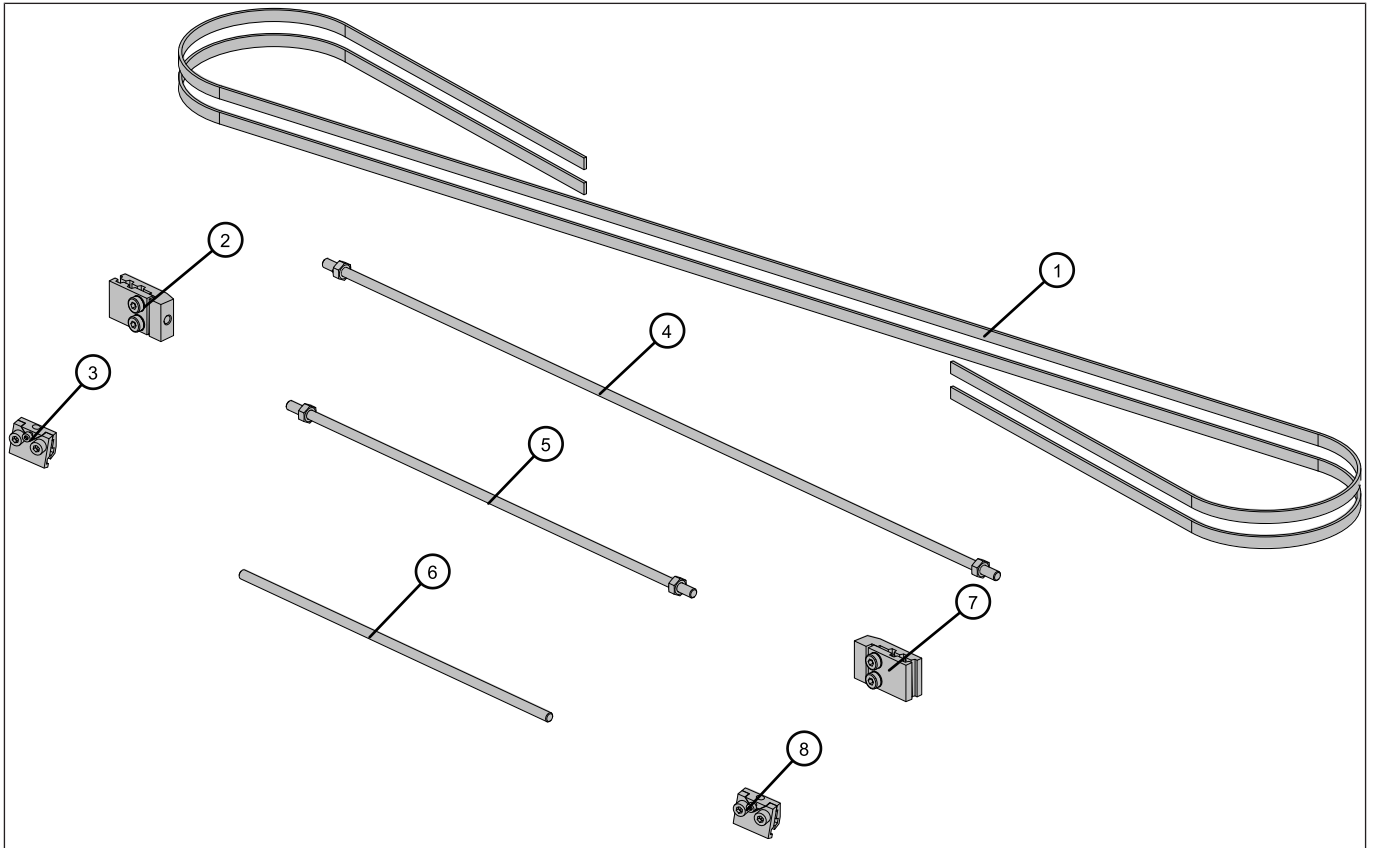


Pos.	Description	Record Art. No.	ASSA ABLOY Art. No.
1	IXIO ST black	121-115074	33121-115074
2	FlipFlow left bearing bock with arm (Project specific)	121-103816643	33121-103816643
3	Cabine control SST200	121-267815704	33121-267815704
4	Gear-belt RPP Gold 535-GLD5M15	102-123809	33102-123809
5	FlipFlow bearing bock right with arm (Project specific)	121-103816644	33121-103816644
6	Drive unit ATE FTA 20	102-107810186	33102-107810186
7	MS 3 surveillance switch UL	121-102813464	33121-102813464
8	Orange flash fire	121-117354	33121-117354
9	IXIO-S CA ceiling mounting kit	121-127905	33121-0127905
10	Speaker	121-118585	33121-118585
11	Eagle ARTEK black	121-127891	33121-0127891
12	Holding magnet, replaced by:	102-013080008	No spare part
	Locking device cpl.	102-102808005	33102-102808005



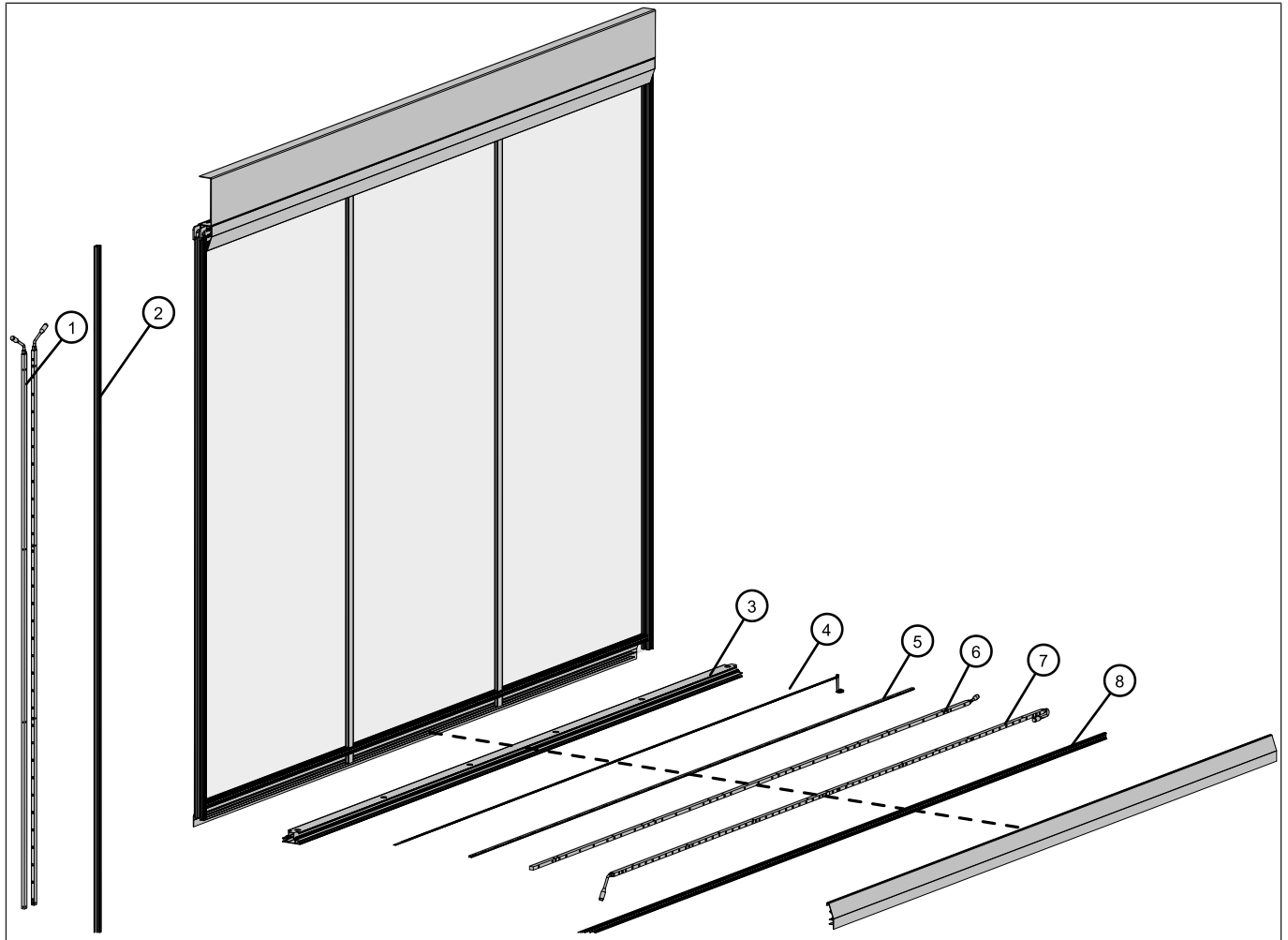
Pos.	Description	Record Art. No.	ASSA ABLOY Art. No.
1	Inner lever complete A<1500	102-100044000	33102-100044000
2	Output shaft cpl	102-100042000	33102-100042000

1 Product versions - From November 2023



Pos.	Description	Record Art. No.	ASSA ABLOY Art. No.
1	Toothed drive belt Breco 8T10/M-DL	102-033029	33102-033029
2	Belt coupler, right, complete, FlipFlow A=900mm	102-105001000	33102-105001000
3	Belt coupler left complete FlipFlow A=650 mm	102-102808003	33102-102808003
4	Tension rod long, FTA A=1100-1600 mm, FlipFlow A=1100 mm	102-105001004	33102-105001004
5	Tension rod medium, FTA A=800-1100mm, FlipFlow A=900mm	102-105001003	33102-105001003
6	Tension rod short, FTA A<800 mm, FlipFlow A=650 mm	102-102108008	33102-102108008
7	Belt coupler left, complete, FlipFlow A=900-1400mm	102-105002000	33102-105002000
8	Belt coupler right complete, FlipFlow A=650 mm	102-102808002	33102-102808002

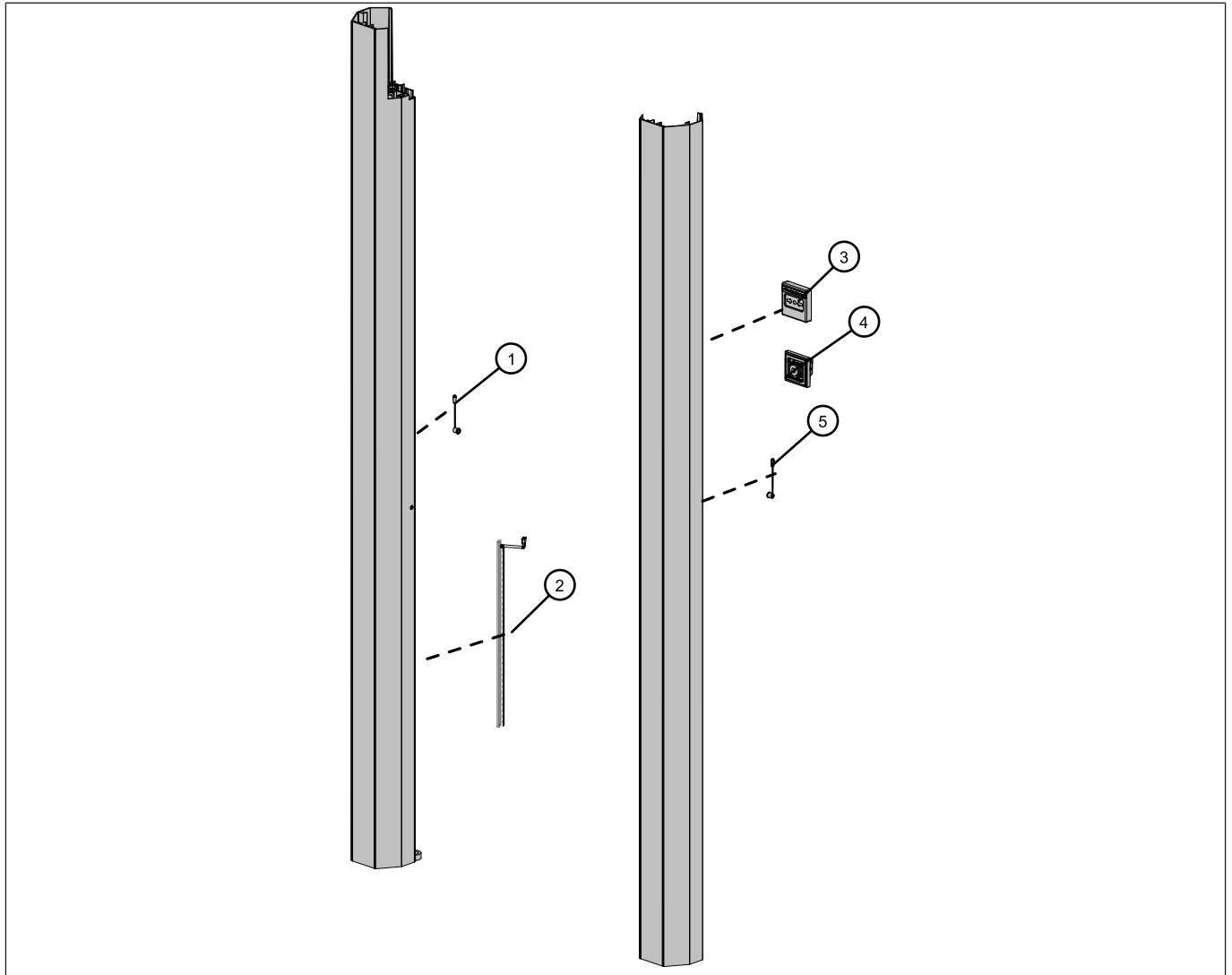
1.1.4 Side panel



Pos.	Description	Record Art. No.	ASSA ABLOY Art. No.
1	Transmitter and receiver	121-005901519	33121-005901519
2	Glass Forster gummi 9-10mm	121-102127061	33121-102127061
3	FlipFlow side panel Toeboard	121-102123334	No spare part
4	LED-strip side part cpl	121-102814764	33121-102814764
5	Cover LED run light	121-102123404	33121-102123404
6	Light barrier CEDES >90mm	121-005900165	33121-005900165
7	Light barrier with cable 50mm	121-005900167	33121-005900167
8	Glass Forster gummi 5-6mm	121-005901327	33121-005901327

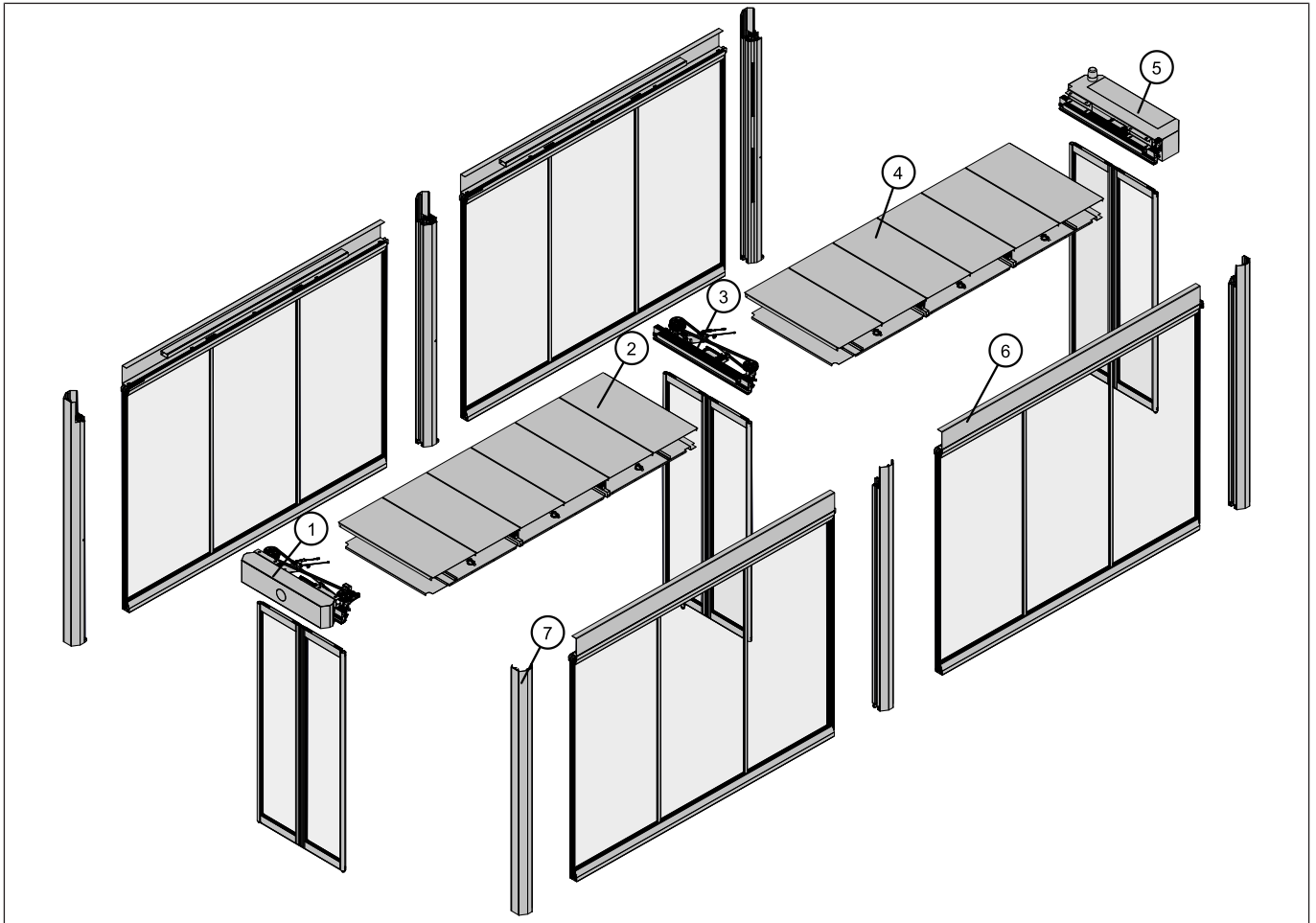
1 Product versions - From November 2023

1.1.5 Posts



Pos.	Description	Record Art. No.	ASSA ABLOY Art. No.
1	Light barrier receiver ELS 300 FF V3	121-128077	33121-128077
2	LED-strip post kpl	121-102814762	33121-102814762
3	Emergency open button green Typ1	121-103816898	33121-103816898
4	Emergency open button Typ2	121-103816899	33121-1108451
5	Short distance emitter Els 300 TxN	121-113844	33121-113844

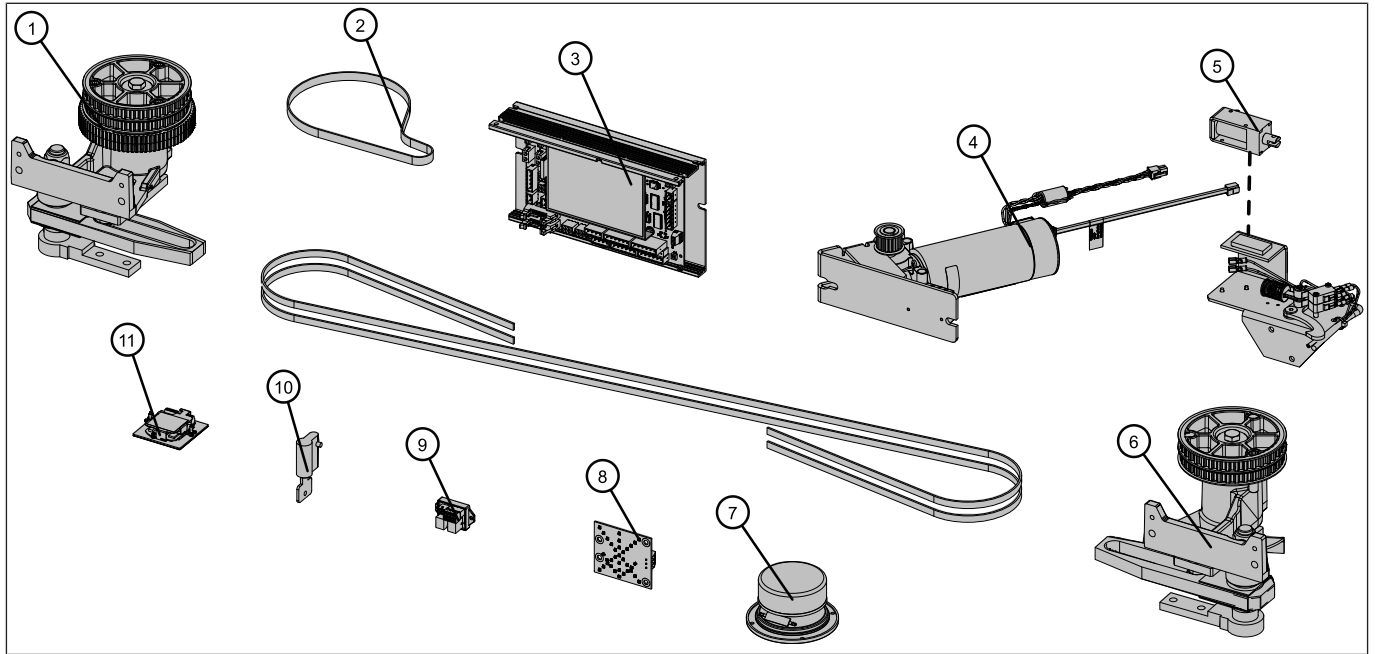
1.2 Triple



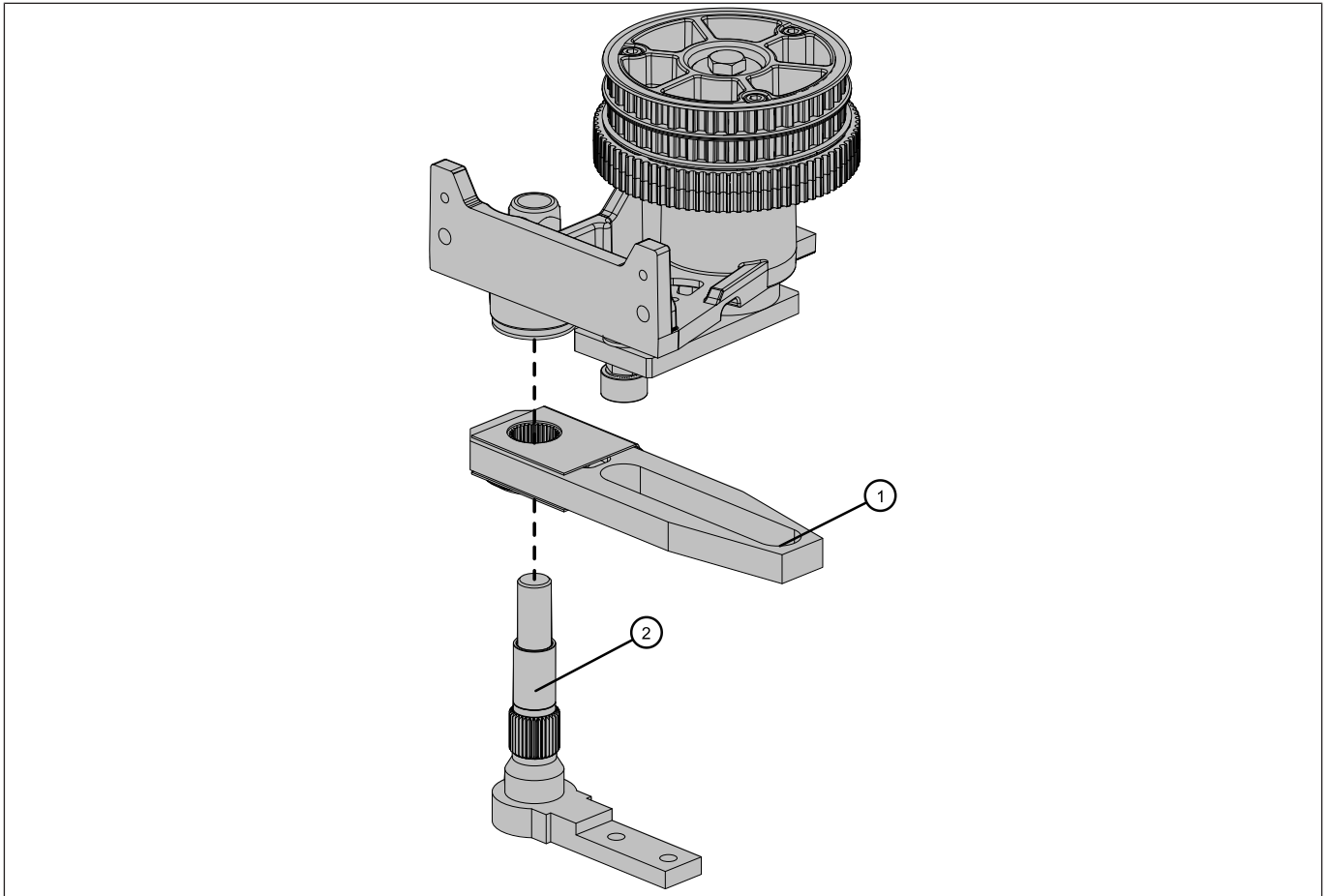
Pos.	Description	Record Art. No.	ASSA ABLOY Art. No.
1	Entrance Tunnel 1 <i>Entrance Tunnel 1</i> [▶ 16]	-	-
2	Ceiling Tunnel 1 <i>Ceiling Tunnel 1</i> [▶ 19]	-	-
3	Entrance Tunnel 2 <i>Entrance Tunnel 2</i> [▶ 21]	-	-
4	Ceiling Tunnel 2 <i>Ceiling Tunnel 2</i> [▶ 24]	-	-
5	Exit <i>Exit</i> [▶ 26]	-	-
6	Side panel <i>Side panel</i> [▶ 29]	-	-
7	Posts <i>Posts</i> [▶ 30]	-	-

1 Product versions - From November 2023

1.2.1 Entrance Tunnel 1

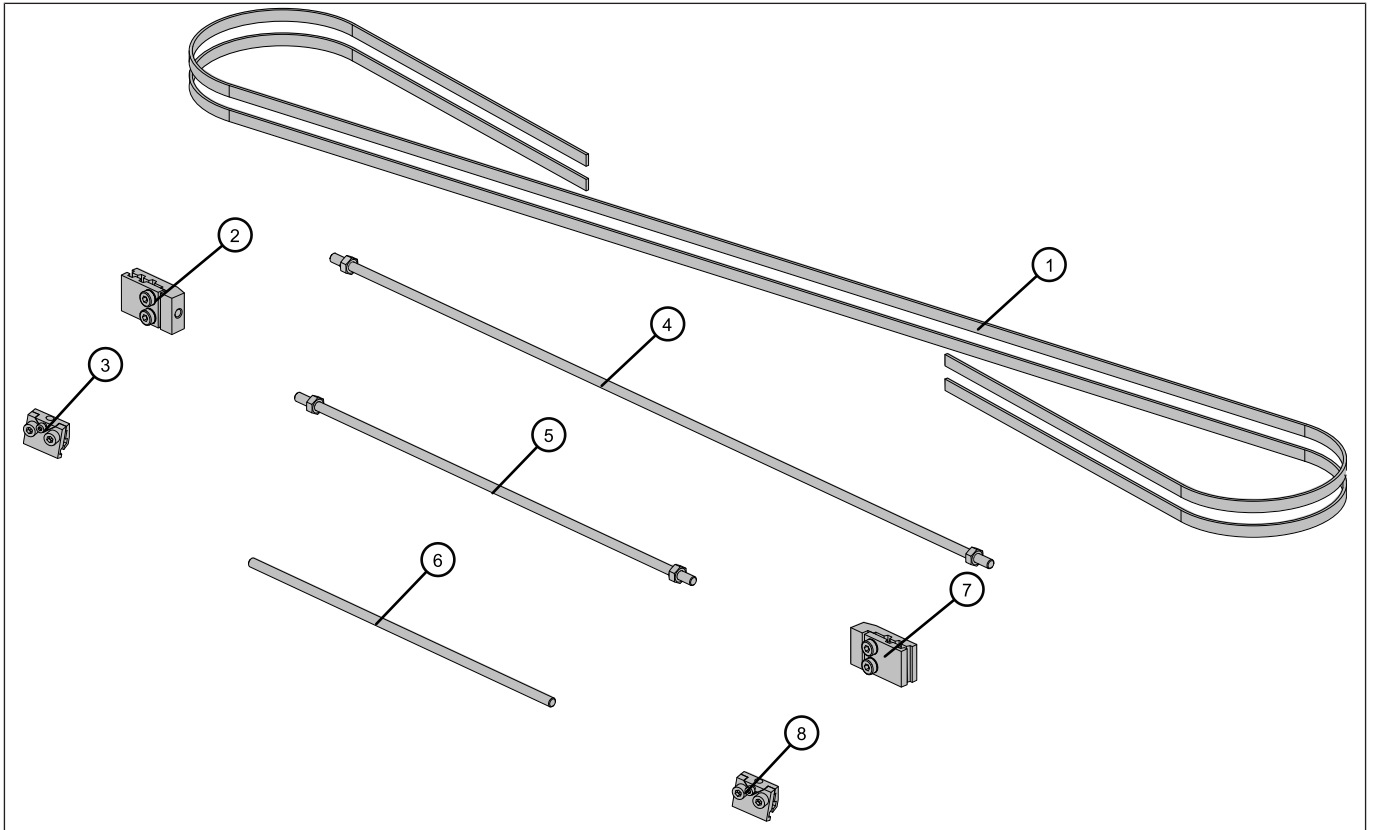


Pos.	Description	Record Art. No.	ASSA ABLOY Art. No.
1	FlipFlow bearing bock right with arm (Project specific)	121-103816644	33121-103816644
2	Gear-belt RPP Gold 535-GLD5M15	102-123809	33102-123809
3	Cabine control SST200	121-267815704	33121-267815704
4	Drive unit ATE FTA 20	102-107810186	33102-107810186
5	Holding magnet, replaced by: Locking device cpl.	102-013080008 102-102808005	No spare part 33102-102808005
6	FlipFlow left bearing bock with arm (Project specific)	121-103816643	33121-103816643
7	Speaker	121-118585	33121-118585
8	PCB assembly Pict FlipFlow	102-102507000	33102-102507000
9	CAN-Adaptor cpl	102-166808899	33102-166808899
10	Half cylinder type Wilka 30mm	121-115860	33121-115860
11	Control panel BDE-D EU FlipFlow with LCD display	102-903816683	33102-903816683



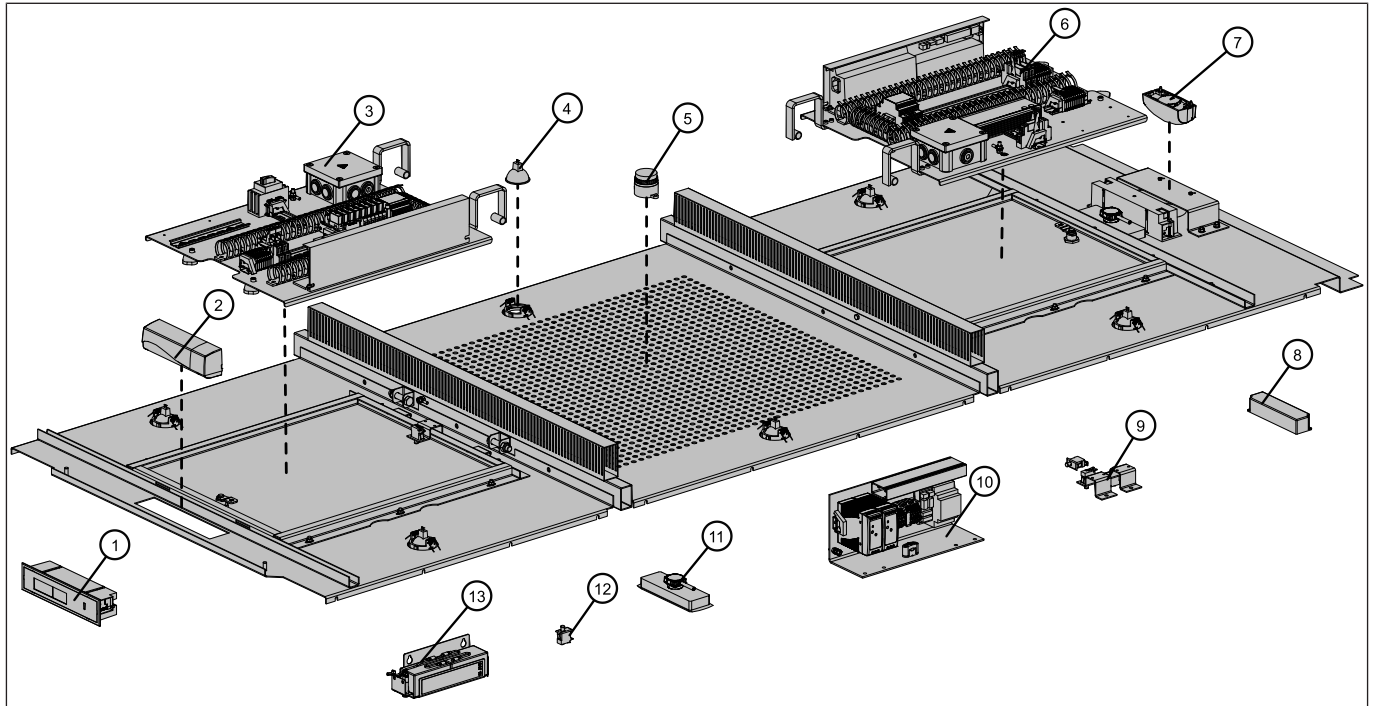
Pos.	Description	Record Art. No.	ASSA ABLOY Art. No.
1	Inner lever complete A<1500	102-100044000	33102-100044000
2	Output shaft cpl	102-100042000	33102-100042000

1 Product versions - From November 2023



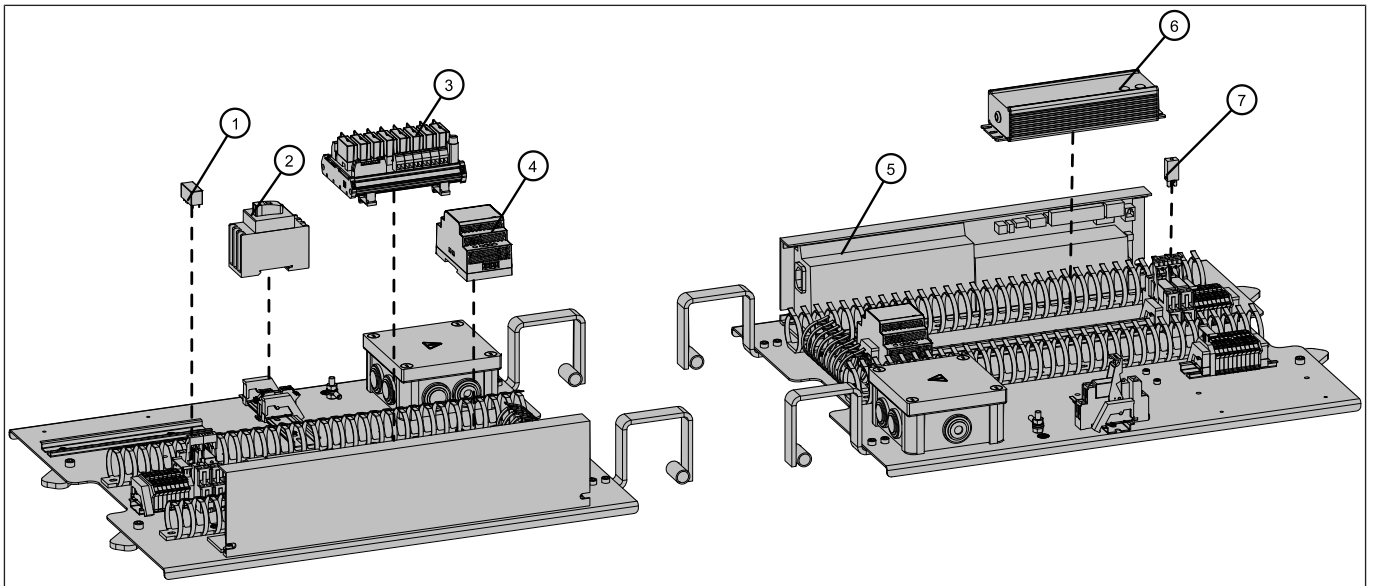
Pos.	Description	Record Art. No.	ASSA ABLOY Art. No.
1	Toothed drive belt Breco 8T10/M-DL	102-033029	33102-033029
2	Belt coupler, right, complete, FlipFlow A=900mm	102-105001000	33102-105001000
3	Belt coupler left complete FlipFlow A=650 mm	102-102808003	33102-102808003
4	Tension rod long, FTA A=1100-1600 mm, FlipFlow A=1100 mm	102-105001004	33102-105001004
5	Tension rod medium, FTA A=800-1100mm, FlipFlow A=900mm	102-105001003	33102-105001003
6	Tension rod short, FTA A<800 mm, FlipFlow A=650 mm	102-102108008	33102-102108008
7	Belt coupler left, complete, FlipFlow A=900-1400mm	102-105002000	33102-105002000
8	Belt coupler right complete, FlipFlow A=650 mm	102-102808002	33102-102808002

1.2.2 Ceiling Tunnel 1



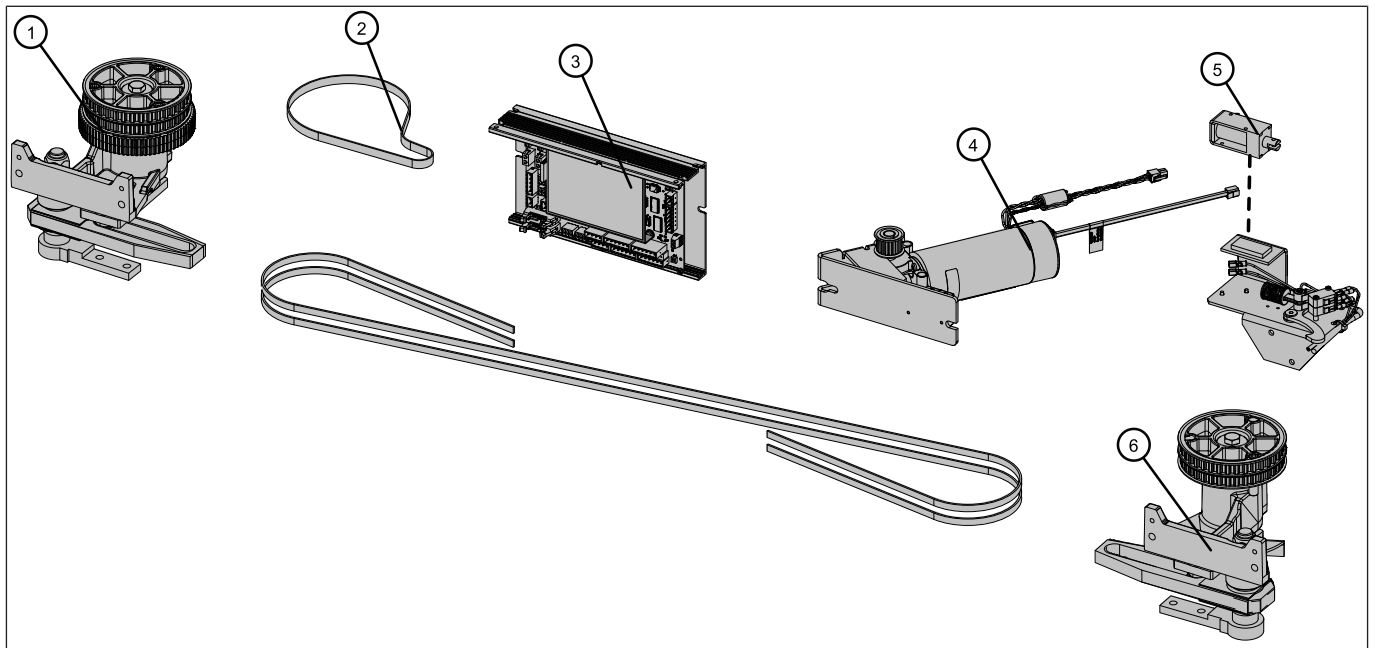
Pos.	Description	Record Art. No.	ASSA ABLOY Art. No.
1	IXIO-S CA ceiling mounting kit	121-127905	33121-0127905
2	IXIO ST black	121-115074	33121-115074
3	FlipFlow V3 MP1 (Project specific)	121-103816612	33121-103816612
	FlipFlow V3 MP1.1 - Additional relay boards (Project specific)	121-103816580	33121-103816580
4	OSRAM LED Spotlight PMR163536	121-118880	33121-118880
5	AE35M-02 Buzzer small 6-28 Volt 100dB	121-005900206	33121-005900206
6	FlipFlow V3 Basic MP2 (Project specific)	121-103816610	33121-103816610
7	Eagle ARTEK black	121-127891	33121-0127891
8	LPV-60-12 Power Supply	121-118874	33121-118874
9	MS 3 surveillance switch UL	121-102813464	33121-102813464
10	Running light control unit FF MP5	121-102814798	33121-102814798
11	TOF-3D Sensor Direction	121-007110061	33121-007110061
12	Roof panel sensor	121-118827	33121-118827
13	Lead-acid battery cpl	121-000808036	33121-000808036

1 Product versions - From November 2023



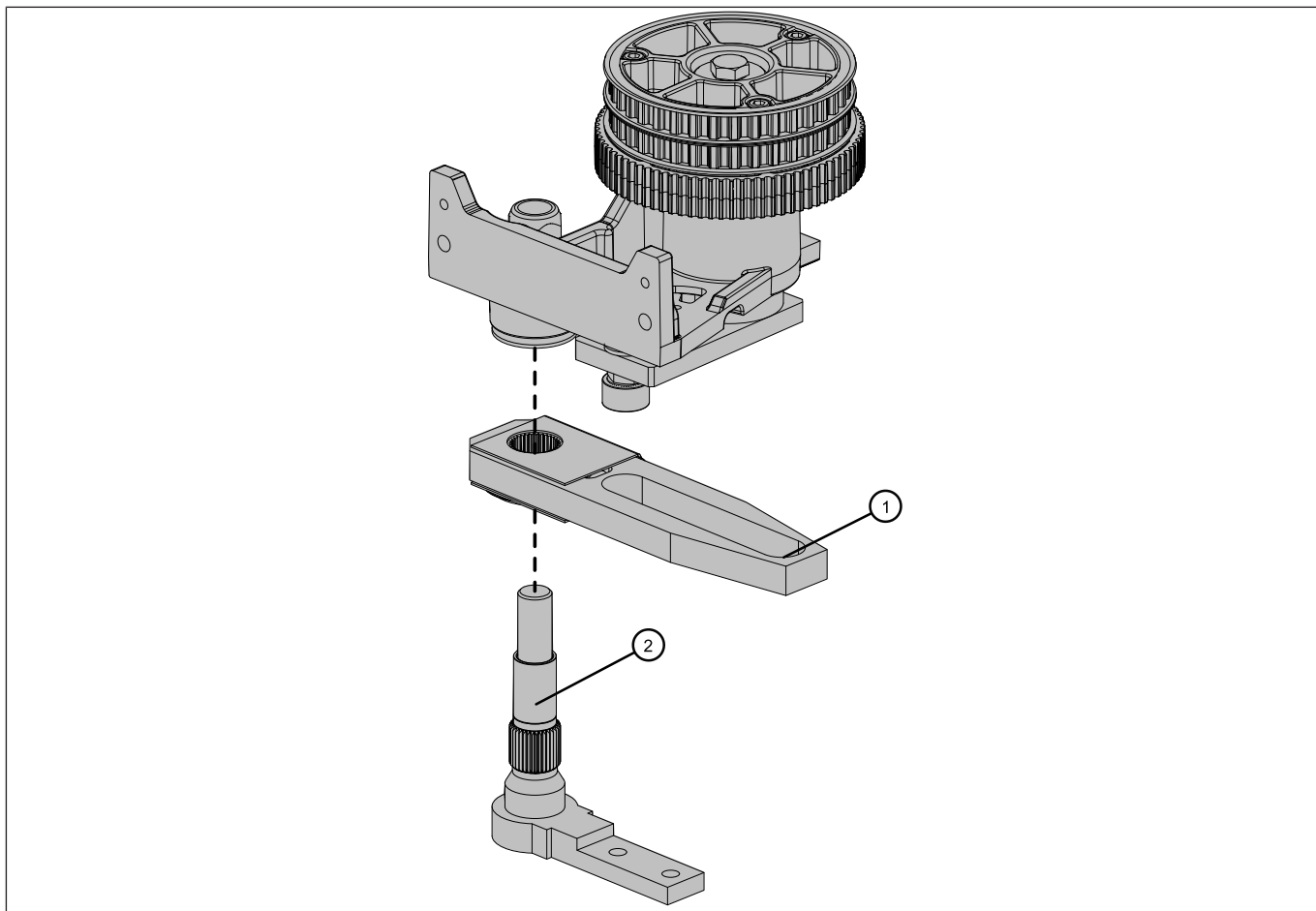
Pos.	Description	Record Art. No.	ASSA ABLOY Art. No.
1	Relay Print standing 20VDC 8A	102-013635	33102-013635
2	Lovato Electric GA016ARY	121-127631	33121-0127631
3	FlipFlow Relay plate	121-005901178	33121-005901178
4	Mean Well HDR-60-24	121-127630	33121-0127630
5	STM20 Control Module	102-020808408	33102-020808408
6	Mean Well Typ HLG-80H-12A	121-127629	33121-0127629
7	LED Module free-wheeling diode 24V	102-013655	33102-013655

1.2.3 Entrance Tunnel 2

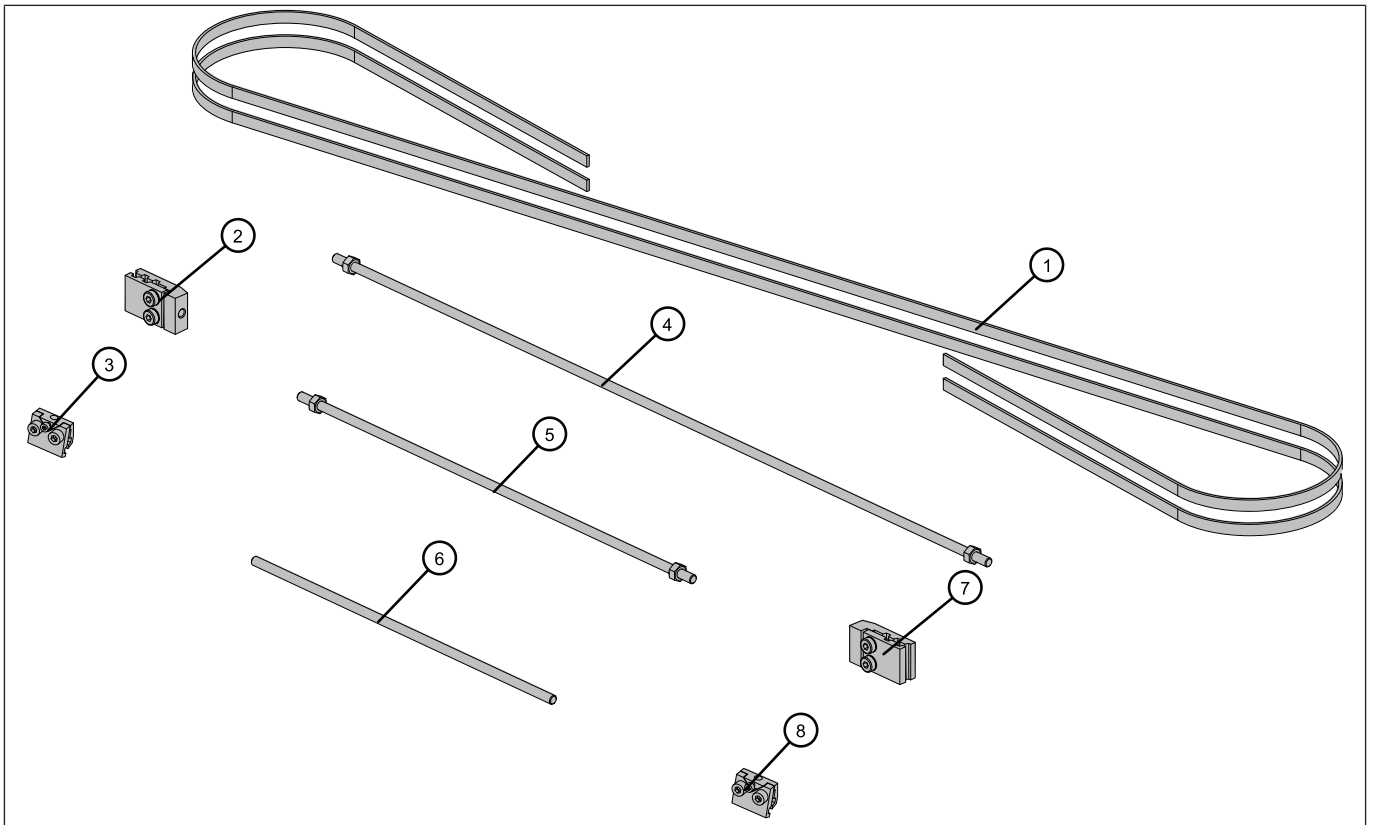


Pos.	Description	Record Art. No.	ASSA ABLOY Art. No.
1	FlipFlow bearing bock right with arm (Project specific)	121-103816644	33121-103816644
2	Gear-belt RPP Gold 535-GLD5M15	102-123809	33102-123809
3	Cabine control SST200	121-267815704	33121-267815704
4	Drive unit ATE FTA 20	102-107810186	33102-107810186
5	Holding magnet, replaced by: Locking device cpl.	102-013080008 102-102808005	No spare part 33102-102808005
6	FlipFlow left bearing bock with arm (Project specific)	121-103816643	33121-103816643

1 Product versions - From November 2023



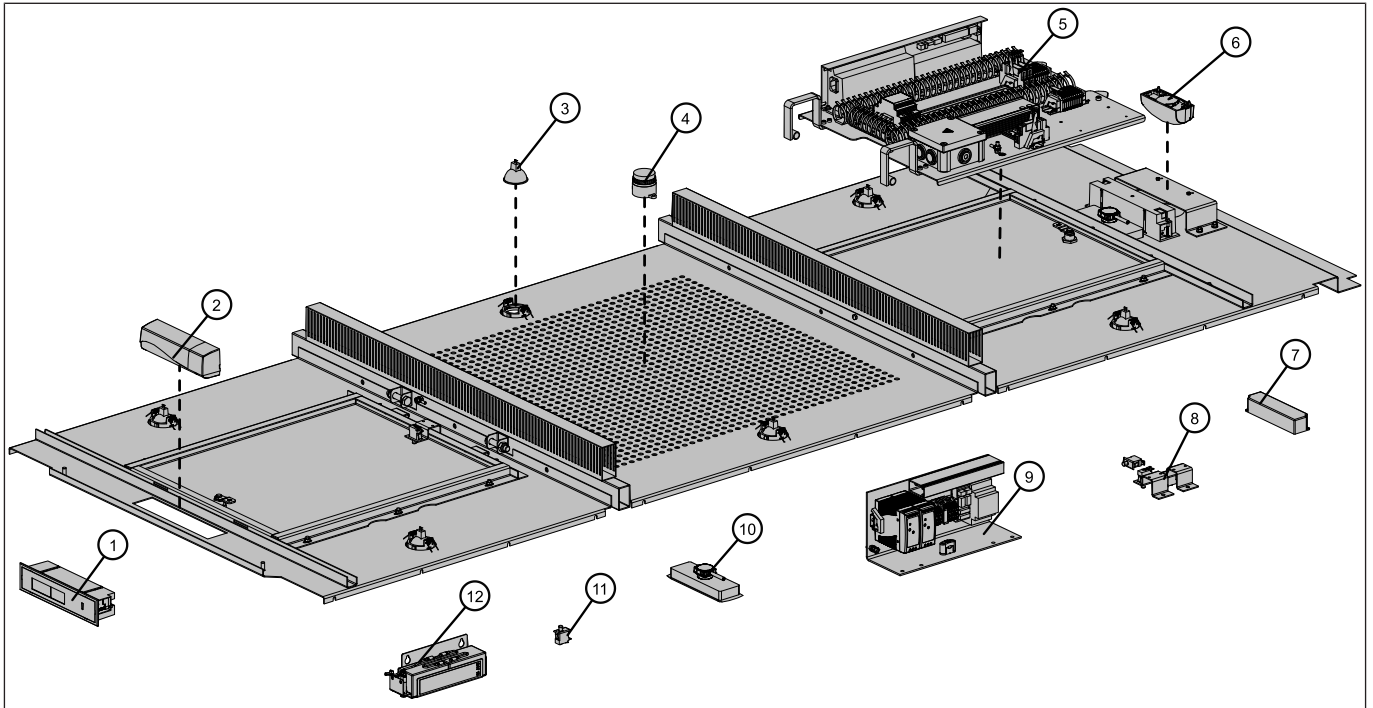
Pos.	Description	Record Art. No.	ASSA ABLOY Art. No.
1	Inner lever complete A<1500	102-100044000	33102-100044000
2	Output shaft cpl	102-100042000	33102-100042000



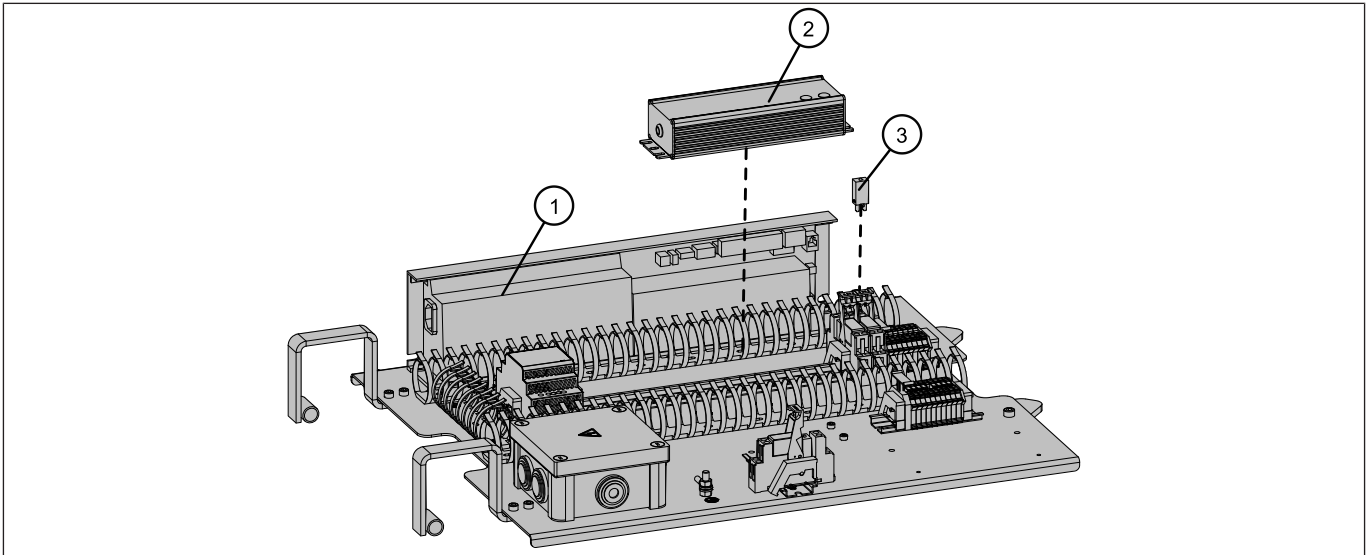
Pos.	Description	Record Art. No.	ASSA ABLOY Art. No.
1	Toothed drive belt Breco 8T10/M-DL	102-033029	33102-033029
2	Belt coupler, right, complete, FlipFlow A=900mm	102-105001000	33102-105001000
3	Belt coupler left complete FlipFlow A=650 mm	102-102808003	33102-102808003
4	Tension rod long, FTA A=1100-1600 mm, FlipFlow A=1100 mm	102-105001004	33102-105001004
5	Tension rod medium, FTA A=800-1100mm, FlipFlow A=900mm	102-105001003	33102-105001003
6	Tension rod short, FTA A<800 mm, FlipFlow A=650 mm	102-102108008	33102-102108008
7	Belt coupler left, complete, FlipFlow A=900-1400mm	102-105002000	33102-105002000
8	Belt coupler right complete, FlipFlow A=650 mm	102-102808002	33102-102808002

1 Product versions - From November 2023

1.2.4 Ceiling Tunnel 2



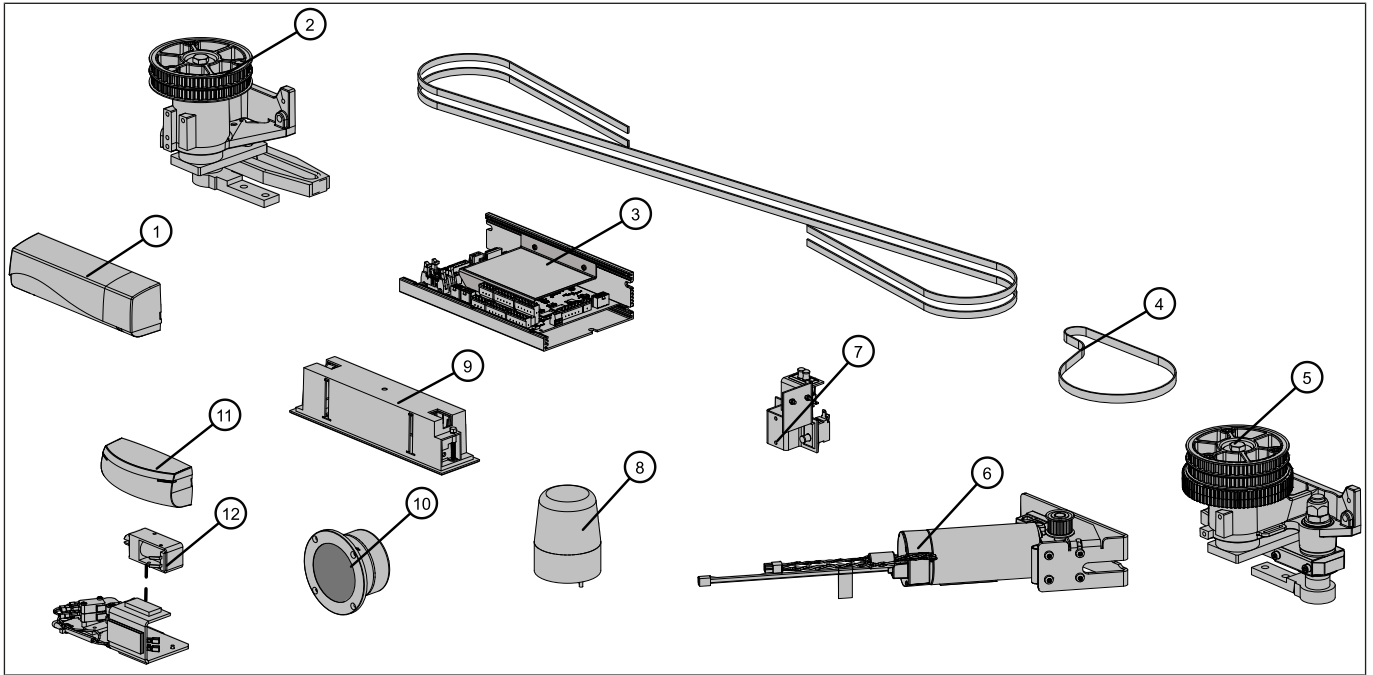
Pos.	Description	Record Art. No.	ASSA ABLOY Art. No.
1	IXIO-S CA ceiling mounting kit	121-127905	33121-0127905
2	IXIO ST black	121-115074	33121-115074
3	OSRAM LED Spotlight PMR163536	121-118880	33121-118880
4	AE35M-02 Buzzer small 6-28 Volt 100dB	121-005900206	33121-005900206
5	FlipFlow V3 Basic MP4 (Project specific)	121-103816584	33121-103816584
	FlipFlow V3 Basic MP4.1 - with Extended (Project specific)	121-103816583	33121-103816583
6	Eagle ARTEK black	121-127891	33121-0127891
7	LPV-60-12 Power Supply	121-118874	33121-118874
8	MS 3 surveillance switch UL	121-102813464	33121-102813464
9	Running light control unit FF MP5	121-102814798	33121-102814798
10	TOF-3D Sensor Direction	121-007110061	33121-007110061
11	Roof panel sensor	121-118827	33121-118827
12	Lead-acid battery cpl	121-000808036	33121-000808036



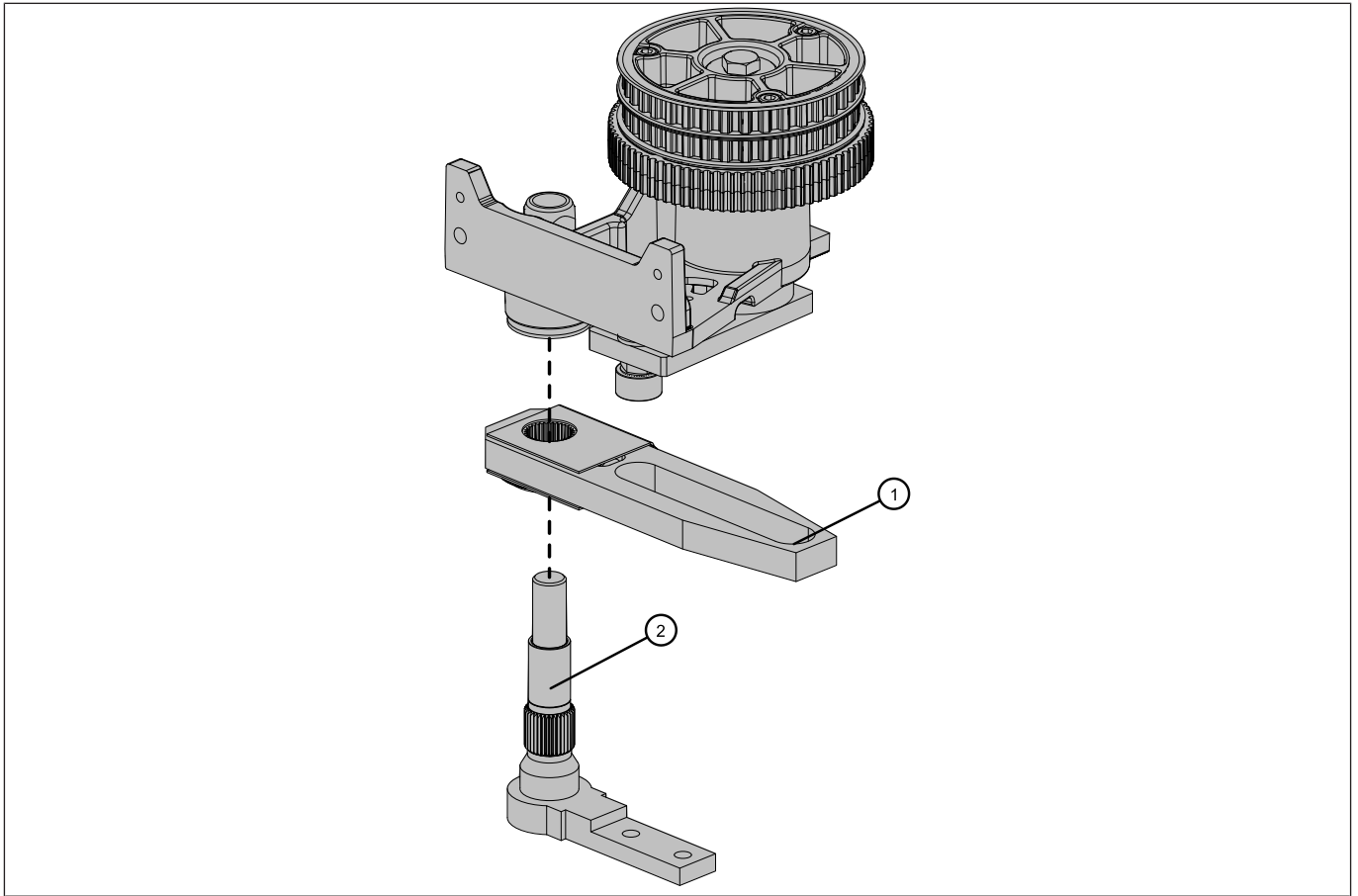
Pos.	Description	Record Art. No.	ASSA ABLOY Art. No.
1	STM20 Control Module	102-020808408	33102-020808408
2	Mean Well Typ HLG-80H-12A	121-127629	33121-0127629
3	LED Module free-wheeling diode 24V	102-013655	33102-013655

1 Product versions - From November 2023

1.2.5 Exit

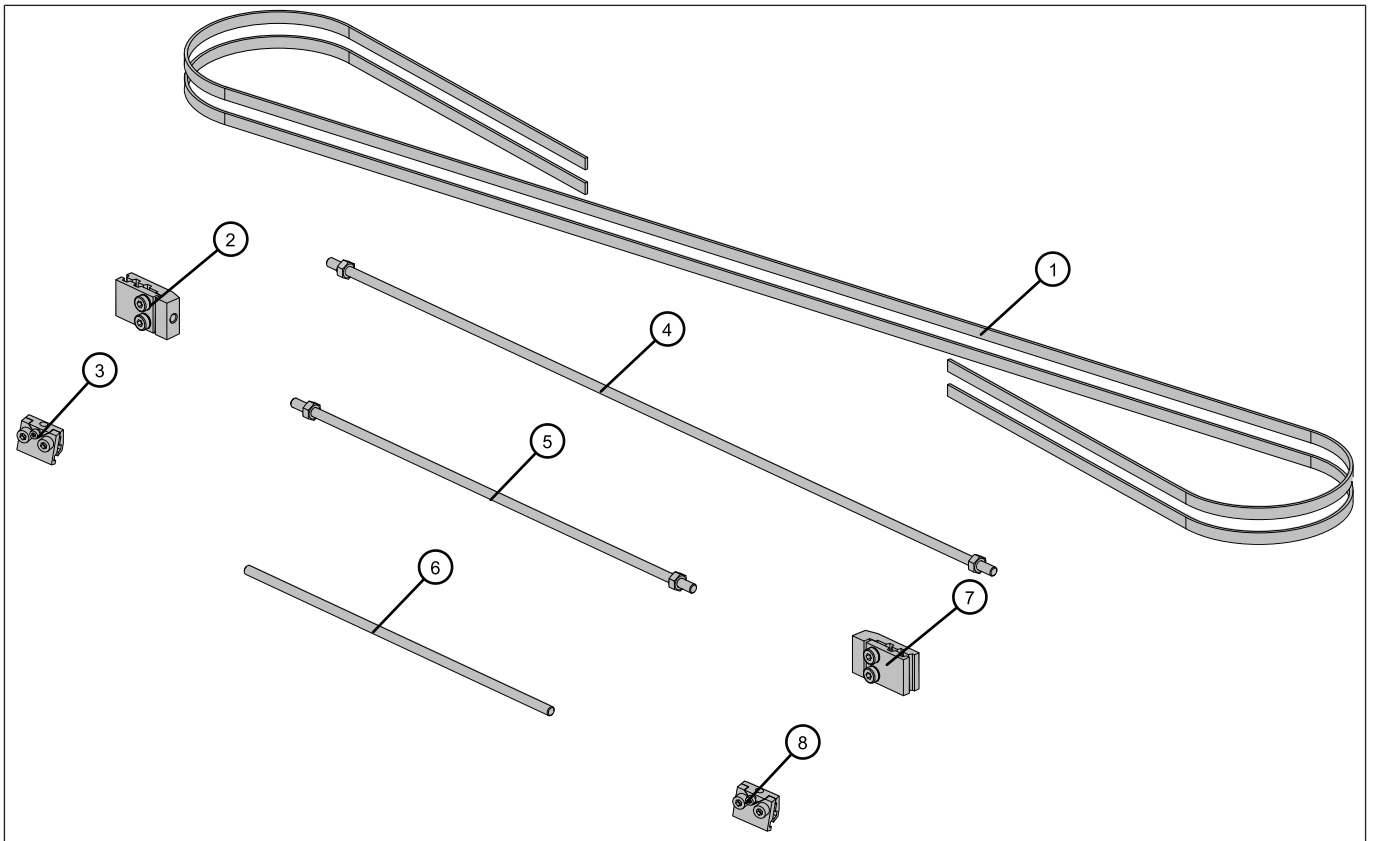


Pos.	Description	Record Art. No.	ASSA ABLOY Art. No.
1	IXIO ST black	121-115074	33121-115074
2	FlipFlow left bearing bock with arm (Project specific)	121-103816643	33121-103816643
3	Cabine control SST200	121-267815704	33121-267815704
4	Gear-belt RPP Gold 535-GLD5M15	102-123809	33102-123809
5	FlipFlow bearing bock right with arm (Project specific)	121-103816644	33121-103816644
6	Drive unit ATE FTA 20	102-107810186	33102-107810186
7	MS 3 surveillance switch UL	121-102813464	33121-102813464
8	Orange flash fire	121-117354	33121-117354
9	IXIO-S CA ceiling mounting kit	121-127905	33121-0127905
10	Speaker	121-118585	33121-118585
11	Eagle ARTEK black	121-127891	33121-0127891
12	Holding magnet, replaced by:	102-013080008	No spare part
	Locking device cpl.	102-102808005	33102-102808005



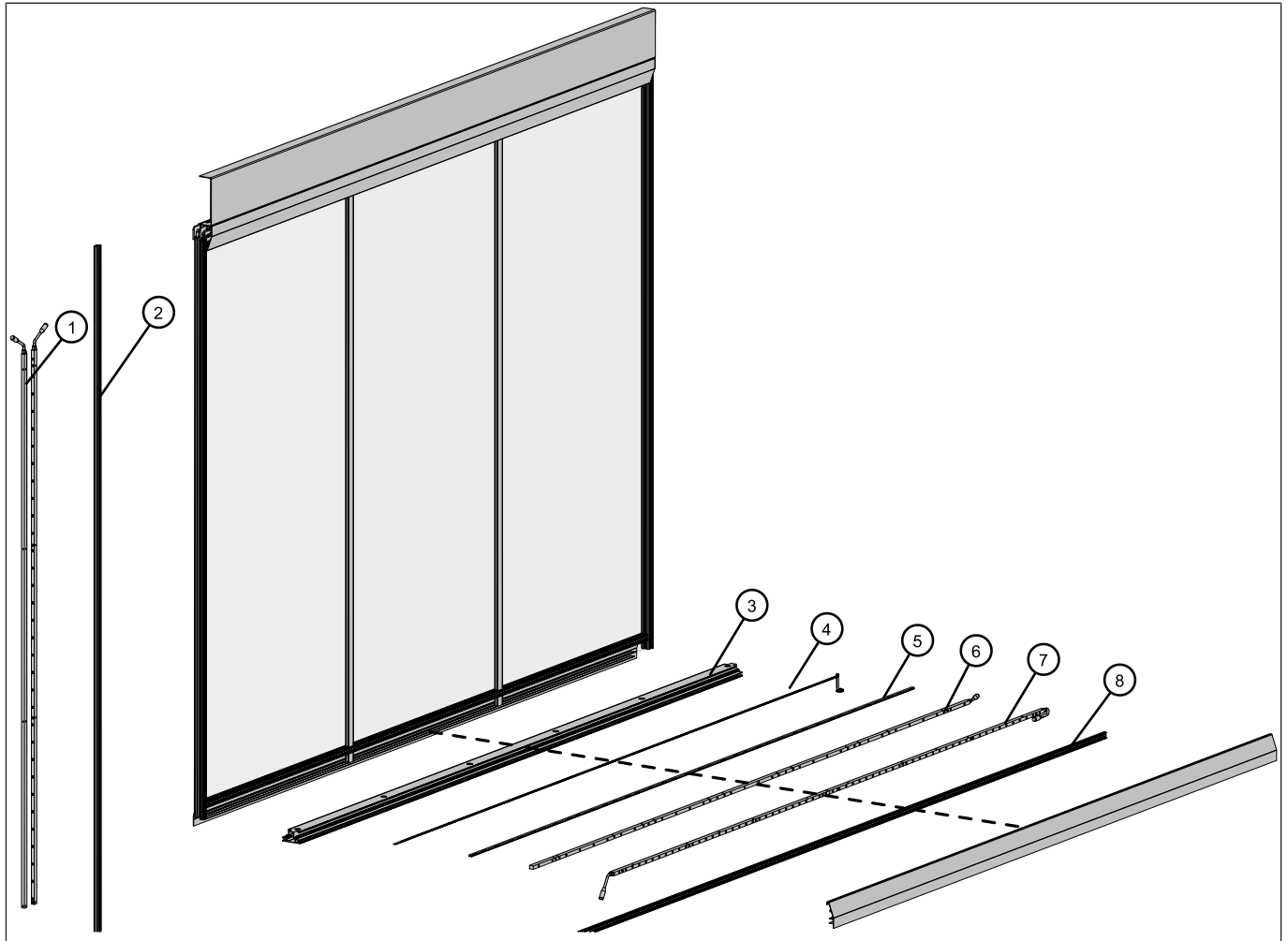
Pos.	Description	Record Art. No.	ASSA ABLOY Art. No.
1	Inner lever complete A<1500	102-100044000	33102-100044000
2	Output shaft cpl	102-100042000	33102-100042000

1 Product versions - From November 2023



Pos.	Description	Record Art. No.	ASSA ABLOY Art. No.
1	Toothed drive belt Breco 8T10/M-DL	102-033029	33102-033029
2	Belt coupler, right, complete, FlipFlow A=900mm	102-105001000	33102-105001000
3	Belt coupler left complete FlipFlow A=650 mm	102-102808003	33102-102808003
4	Tension rod long, FTA A=1100-1600 mm, FlipFlow A=1100 mm	102-105001004	33102-105001004
5	Tension rod medium, FTA A=800-1100mm, FlipFlow A=900mm	102-105001003	33102-105001003
6	Tension rod short, FTA A<800 mm, FlipFlow A=650 mm	102-102108008	33102-102108008
7	Belt coupler left, complete, FlipFlow A=900-1400mm	102-105002000	33102-105002000
8	Belt coupler right complete, FlipFlow A=650 mm	102-102808002	33102-102808002

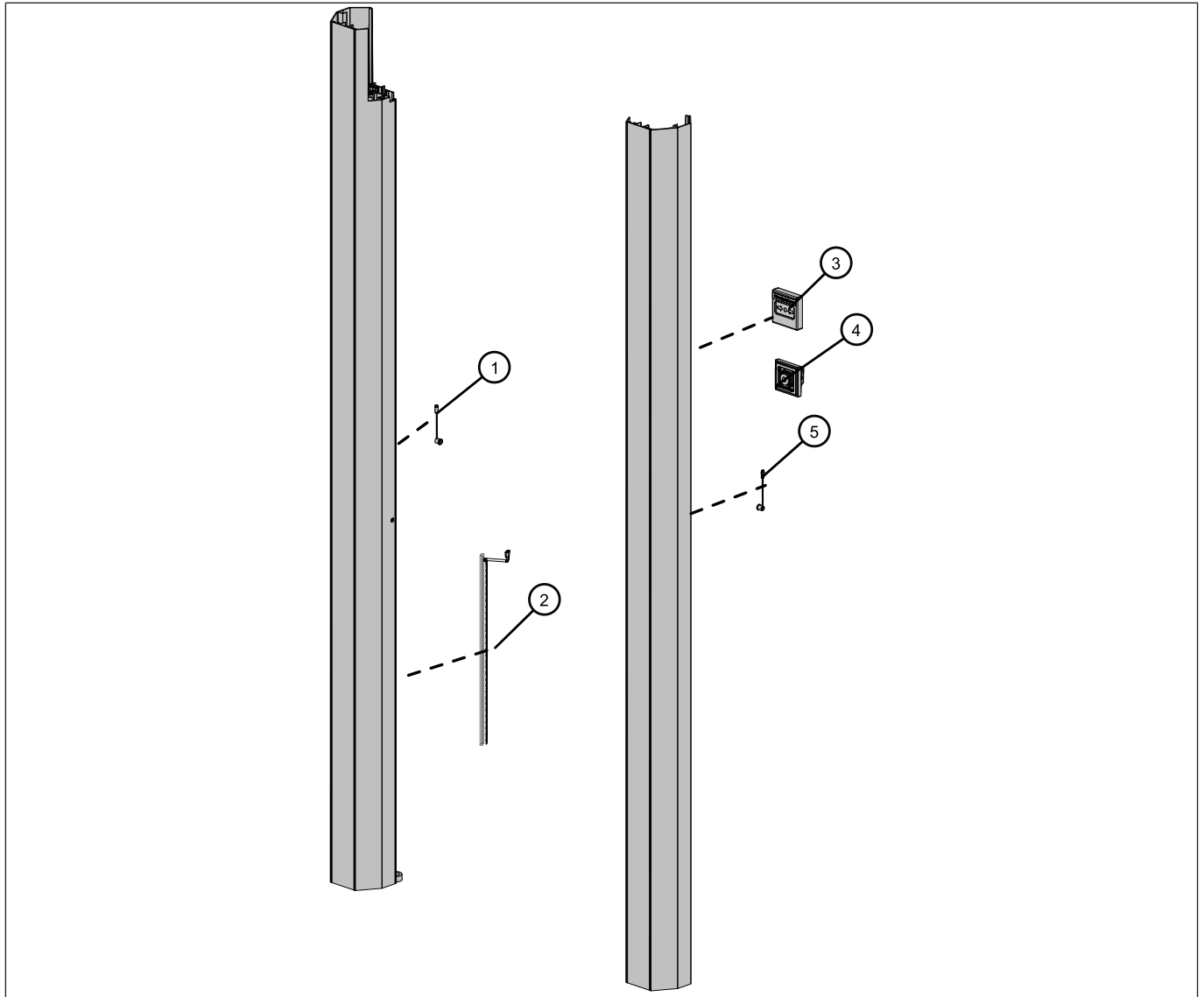
1.2.6 Side panel



Pos.	Description	Record Art. No.	ASSA ABLOY Art. No.
1	Transmitter and receiver	121-005901519	33121-005901519
2	Glass Forster gummi 9-10mm	121-102127061	33121-102127061
3	FlipFlow side panel Toeboard	121-102123334	No spare part
4	LED-strip side part cpl	121-102814764	33121-102814764
5	Cover LED run light	121-102123404	33121-102123404
6	Light barrier CEDES >90mm	121-005900165	33121-005900165
7	Light barrier with cable 50mm	121-005900167	33121-005900167
8	Glass Forster gummi 5-6mm	121-005901327	33121-005901327

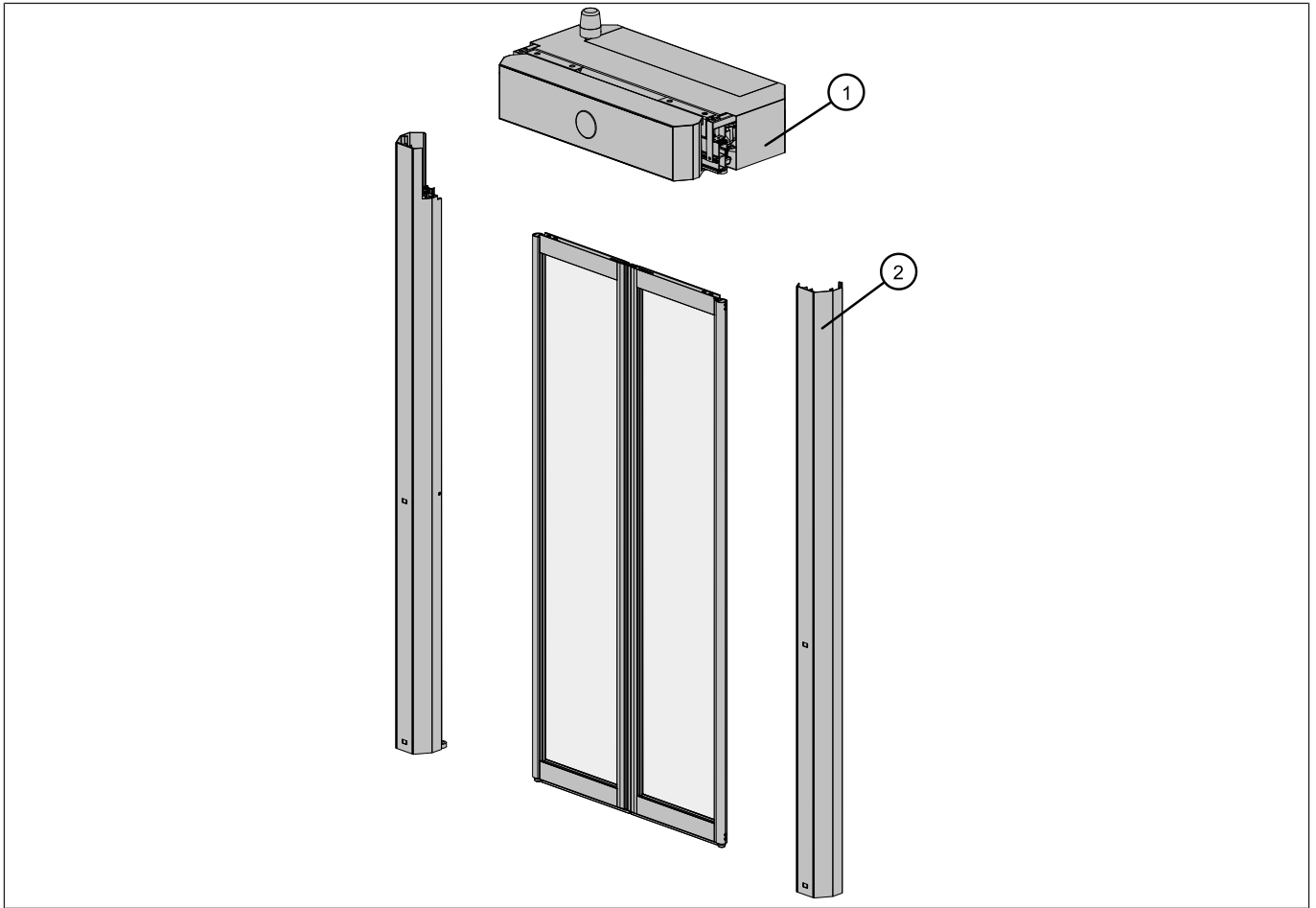
1 Product versions - From November 2023

1.2.7 Posts



Pos.	Description	Record Art. No.	ASSA ABLOY Art. No.
1	Light barrier receiver ELS 300 FF V3	121-128077	33121-128077
2	LED-strip post kpl	121-102814762	33121-102814762
3	Emergency open button green Typ1	121-103816898	33121-103816898
4	Emergency open button Typ2	121-103816899	33121-1108451
5	Short distance emitter Els 300 TxN	121-113844	33121-113844

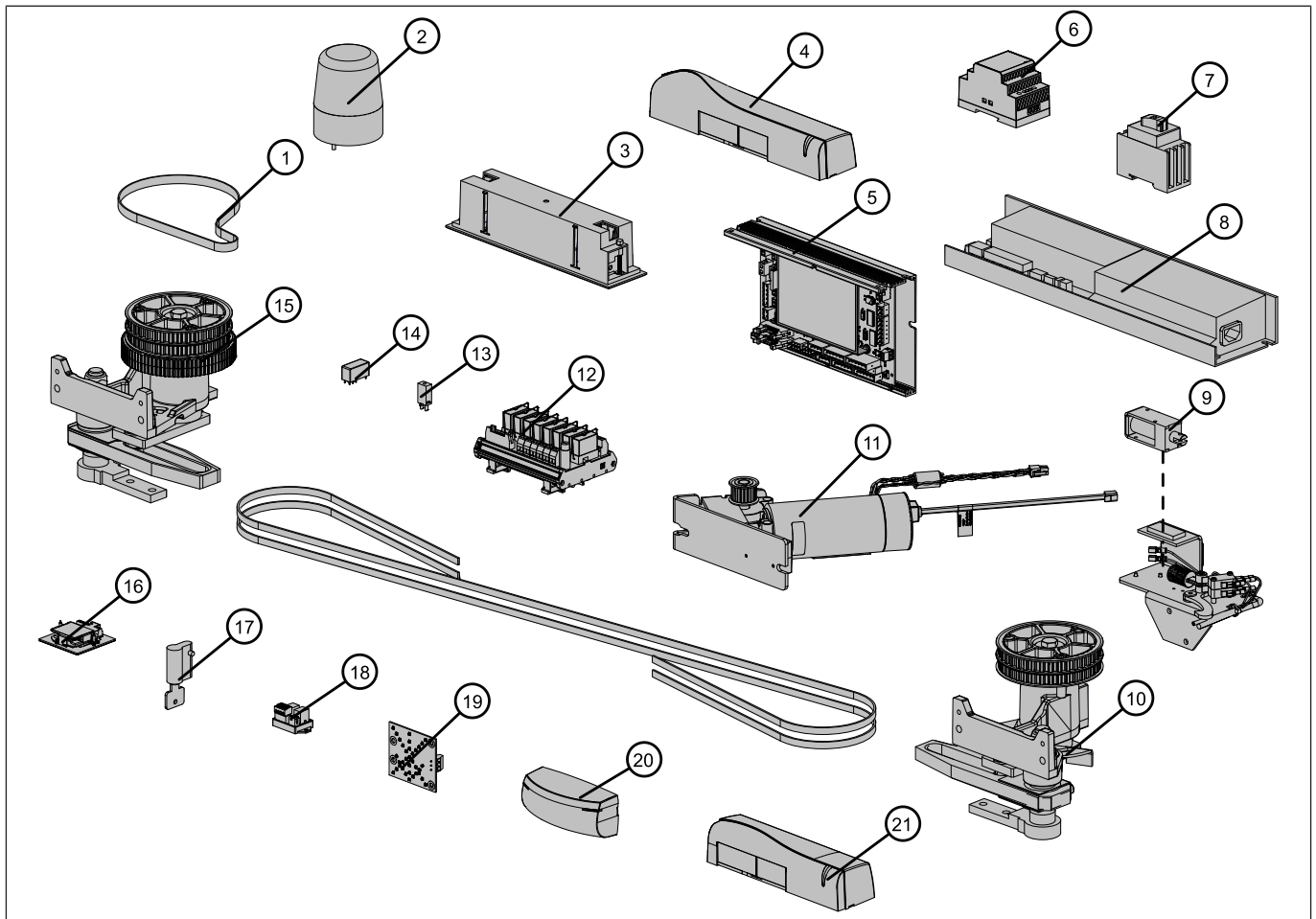
1.3 Wide



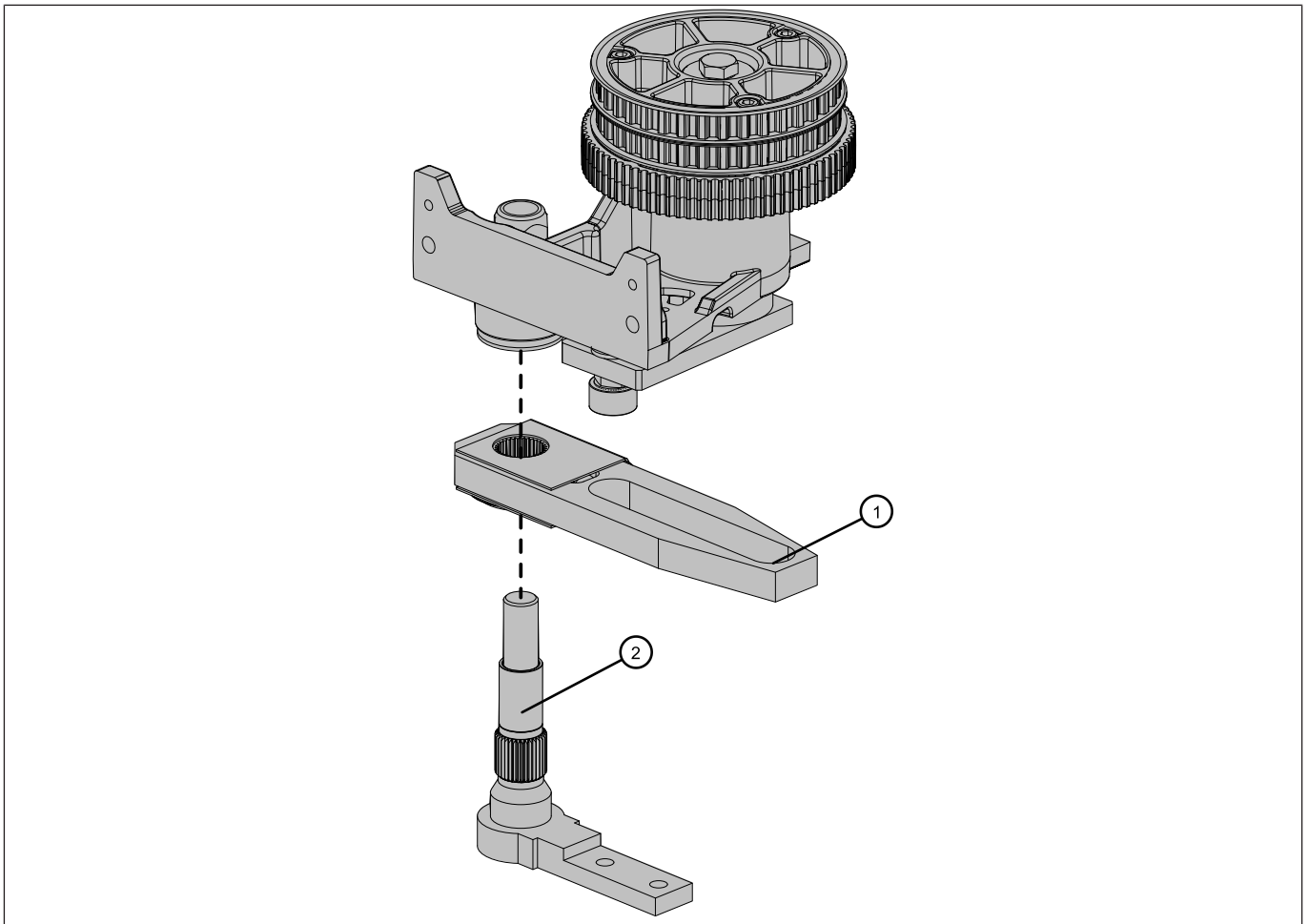
Pos.	Description	Record Art. No.	ASSA ABLOY Art. No.
1	Entrance, Exit <i>Entrance, Exit</i> [▶ 32]	-	-
2	Posts <i>Posts</i> [▶ 35]	-	-

1 Product versions - From November 2023

1.3.1 Entrance, Exit

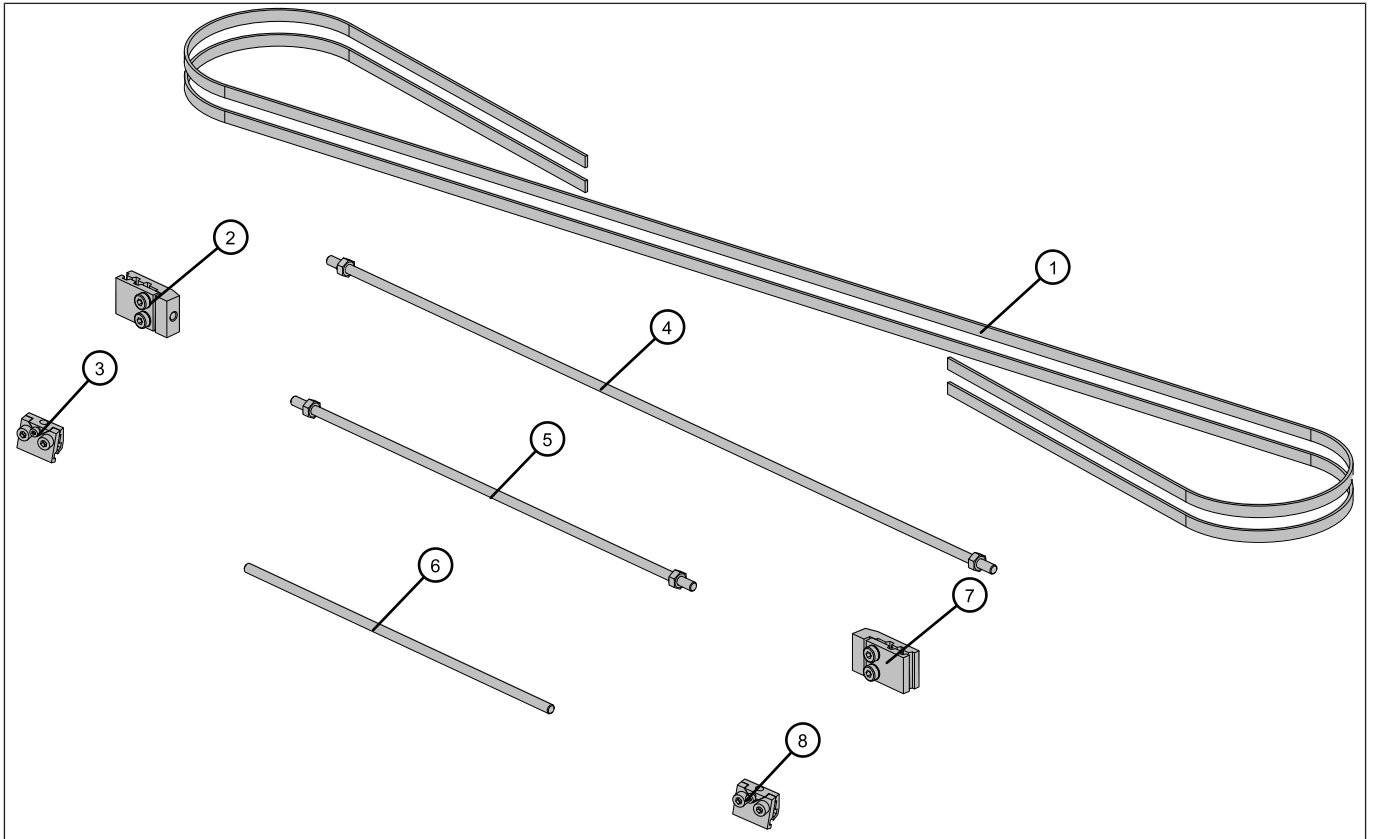


Pos.	Description	Record Art. No.	ASSA ABLOY Art. No.
1	Gear-belt RPP Gold 535-GLD5M15	102-123809	33102-123809
2	Orange flash fire	121-117354	33121-117354
3	IXIO-S CA ceiling mounting kit	121-127905	33121-0127905
4	IXIO DT3 black	121-124701	33121-124701
5	Cabine control SST200	121-267815704	33121-267815704
6	Mean Well HDR-60-24	121-127630	33121-0127630
7	Lovato Electric GA016ARY	121-127631	33121-0127631
8	STM20 Control Module	102-020808408	33102-020808408
9	Holding magnet, replaced by: Locking device cpl.	102-013080008 102-102808005	No spare part 33102-102808005
10	FlipFlow left bearing bock with arm (Project specific)	121-103816643	33121-103816643
11	Drive unit ATE FTA 20	102-107810186	33102-107810186
12	FlipFlow Relay plate	121-005901178	33121-005901178
13	LED Module free-wheeling diode 24V	102-013655	33102-013655
14	Relay Print standing 20VDC 8A	102-013635	33102-013635
15	FlipFlow bearing bock right with arm (Project specific)	121-103816644	33121-103816644
16	Control panel BDE-D EU FlipFlow with LCD display	102-903816683	33102-903816683
17	Half cylinder type Wilka 30mm	121-115860	33121-115860
18	CAN-Adaptor cpl	102-166808899	33102-166808899
19	PCB assembly Pict FlipFlow	102-102507000	33102-102507000
20	Eagle ARTEK black	121-127891	33121-0127891
21	IXIO ST black	121-115074	33121-115074



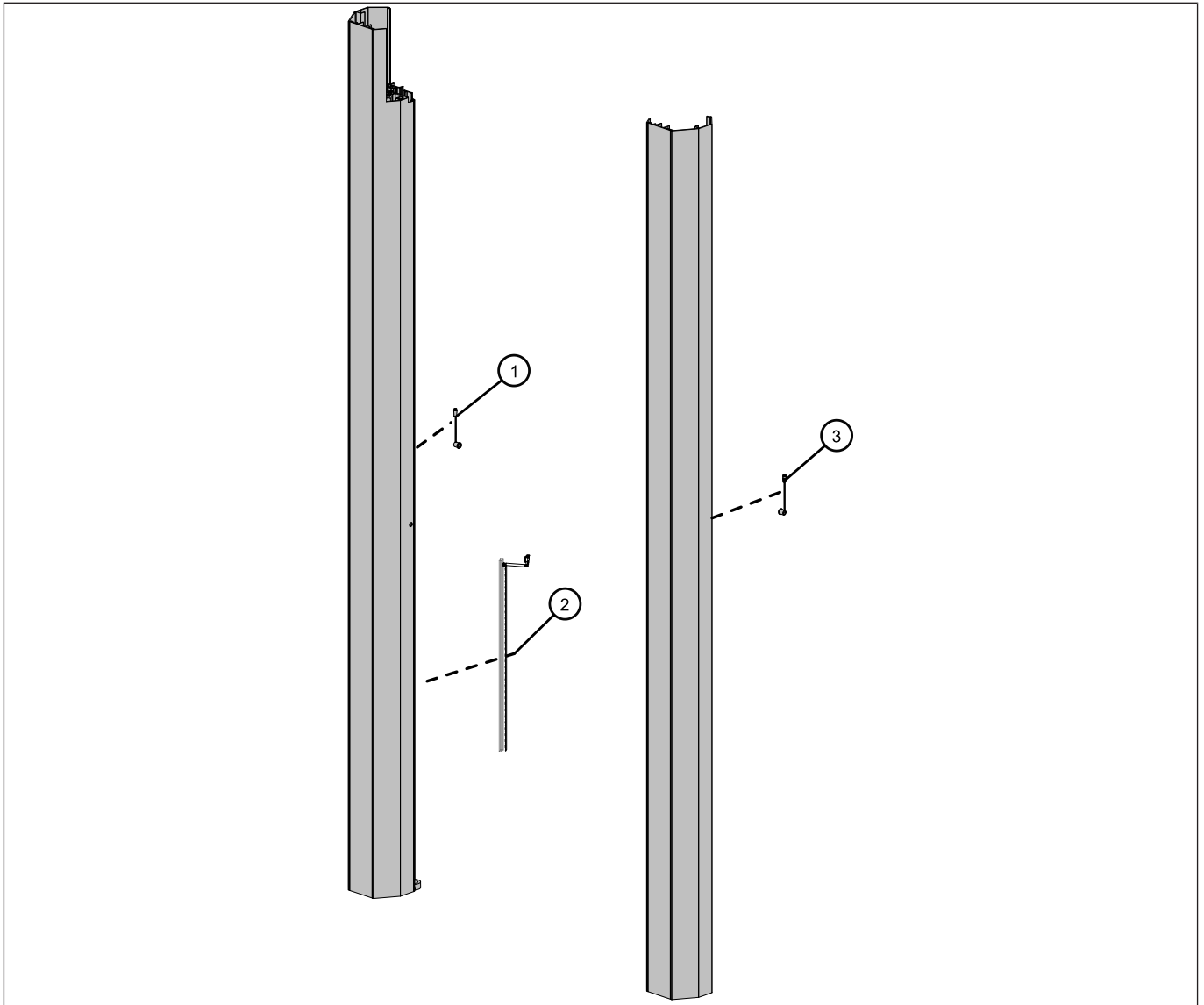
Pos.	Description	Record Art. No.	ASSA ABLOY Art. No.
1	Inner lever complete A<1500	102-100044000	33102-100044000
2	Output shaft cpl	102-100042000	33102-100042000

1 Product versions - From November 2023



Pos.	Description	Record Art. No.	ASSA ABLOY Art. No.
1	Toothed drive belt Breco 8T10/M-DL	102-033029	33102-033029
2	Belt coupler, right, complete, FlipFlow A=900mm	102-105001000	33102-105001000
3	Belt coupler left complete FlipFlow A=650 mm	102-102808003	33102-102808003
4	Tension rod long, FTA A=1100-1600 mm, FlipFlow A=1100 mm	102-105001004	33102-105001004
5	Tension rod medium, FTA A=800-1100mm, FlipFlow A=900mm	102-105001003	33102-105001003
6	Tension rod short, FTA A<800 mm, FlipFlow A=650 mm	102-102108008	33102-102108008
7	Belt coupler left, complete, FlipFlow A=900-1400mm	102-105002000	33102-105002000
8	Belt coupler right complete, FlipFlow A=650 mm	102-102808002	33102-102808002

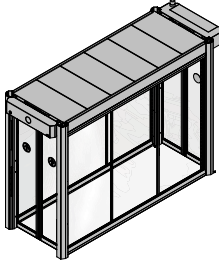
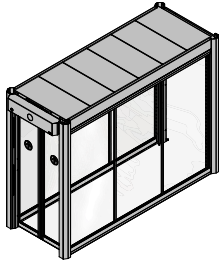
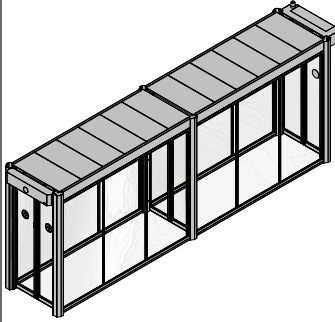

1.3.2 Posts



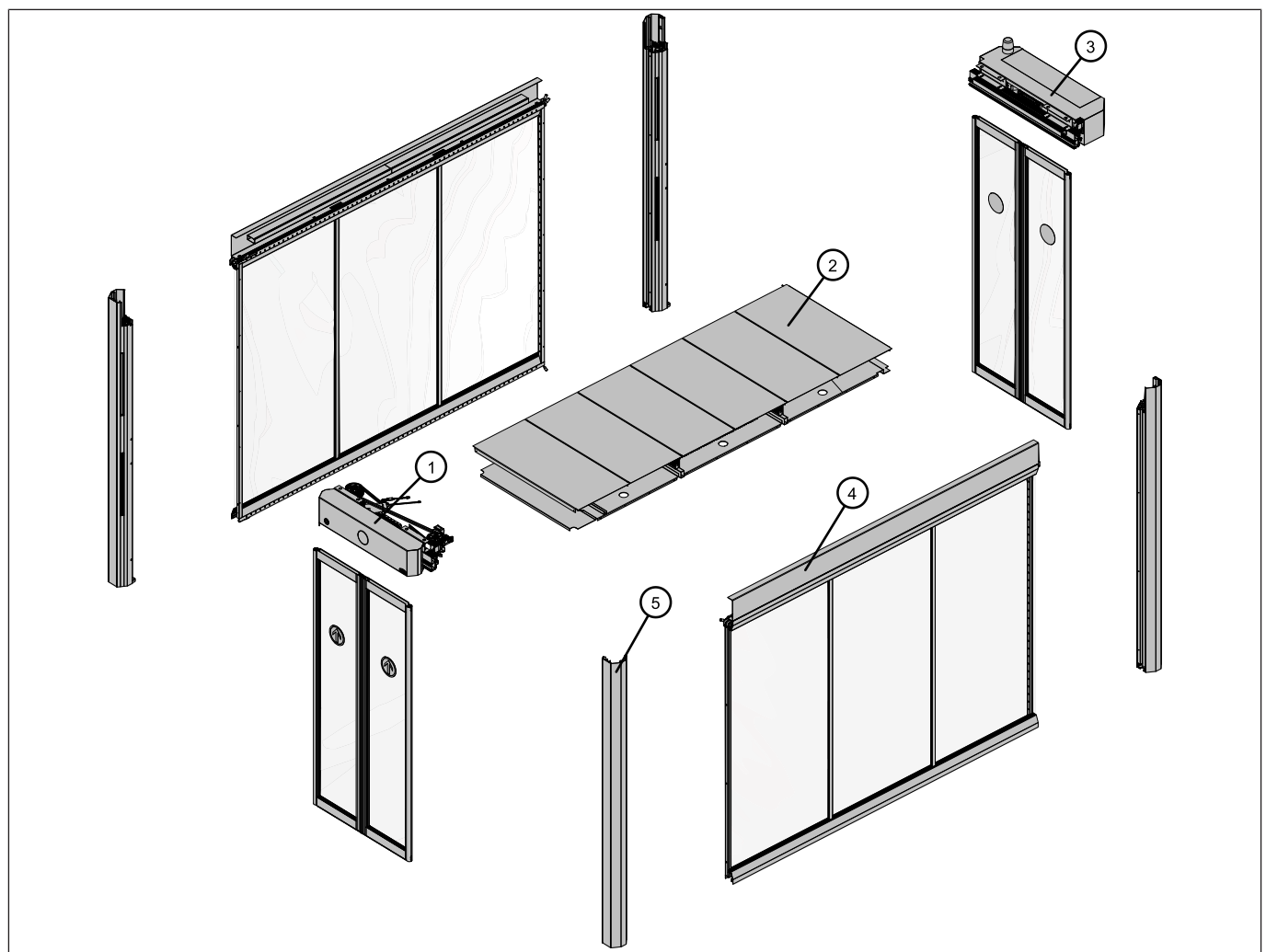
Pos.	Description	Record Art. No.	ASSA ABLOY Art. No.
1	Light barrier receiver ELS 300 FF V3	121-128077	33121-128077
2	LED-strip post kpl	121-102814762	33121-102814762
3	Short distance emitter Els 300 TxN	121-113844	33121-113844

2 Product versions - Till November 2023

2 Product versions - Till November 2023

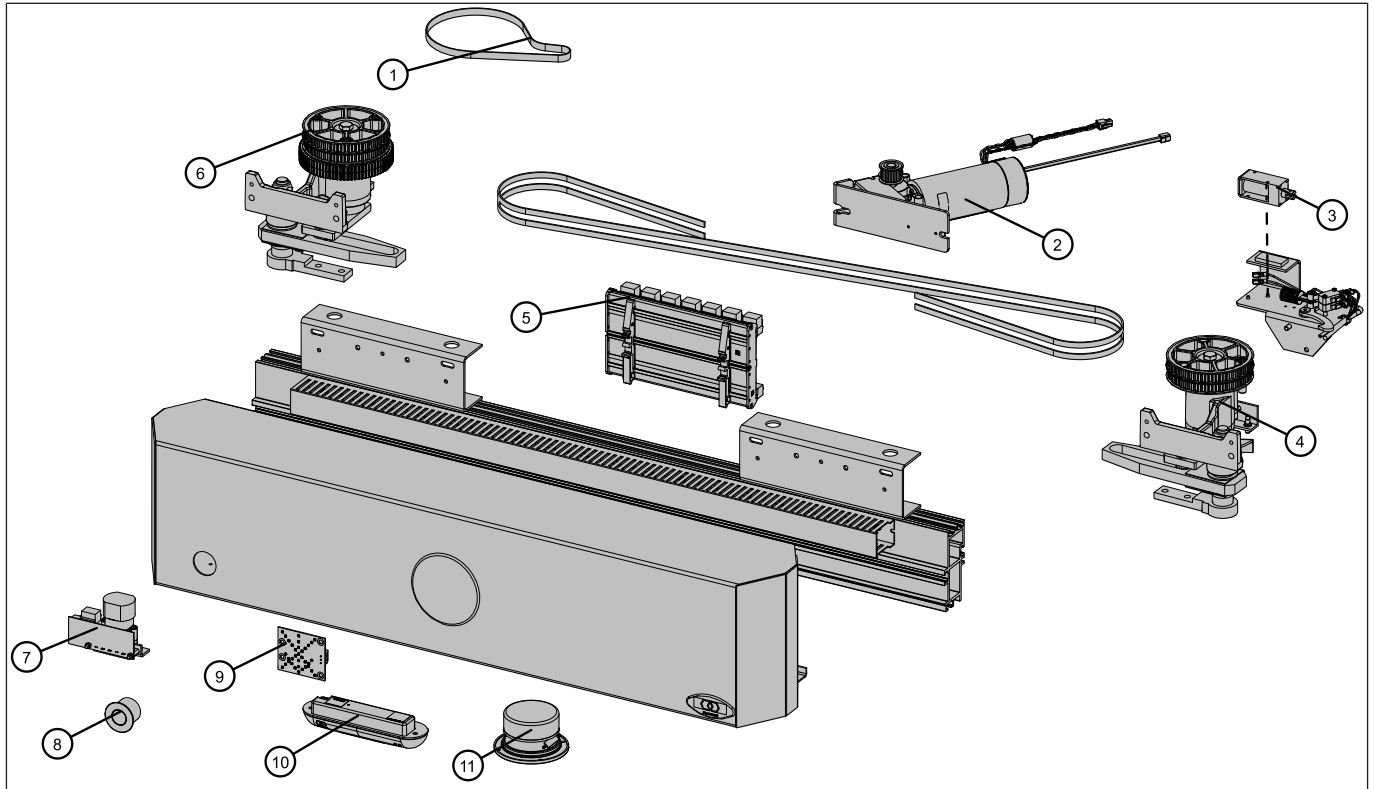
Exit Lane / FlipFlow			
			
Twin <i>Twin</i> [▶ 36]	Single <i>Single</i> [▶ 49]	Triple <i>Triple</i> [▶ 59]	Wide <i>Wide</i> [▶ 75]

2.1 Twin



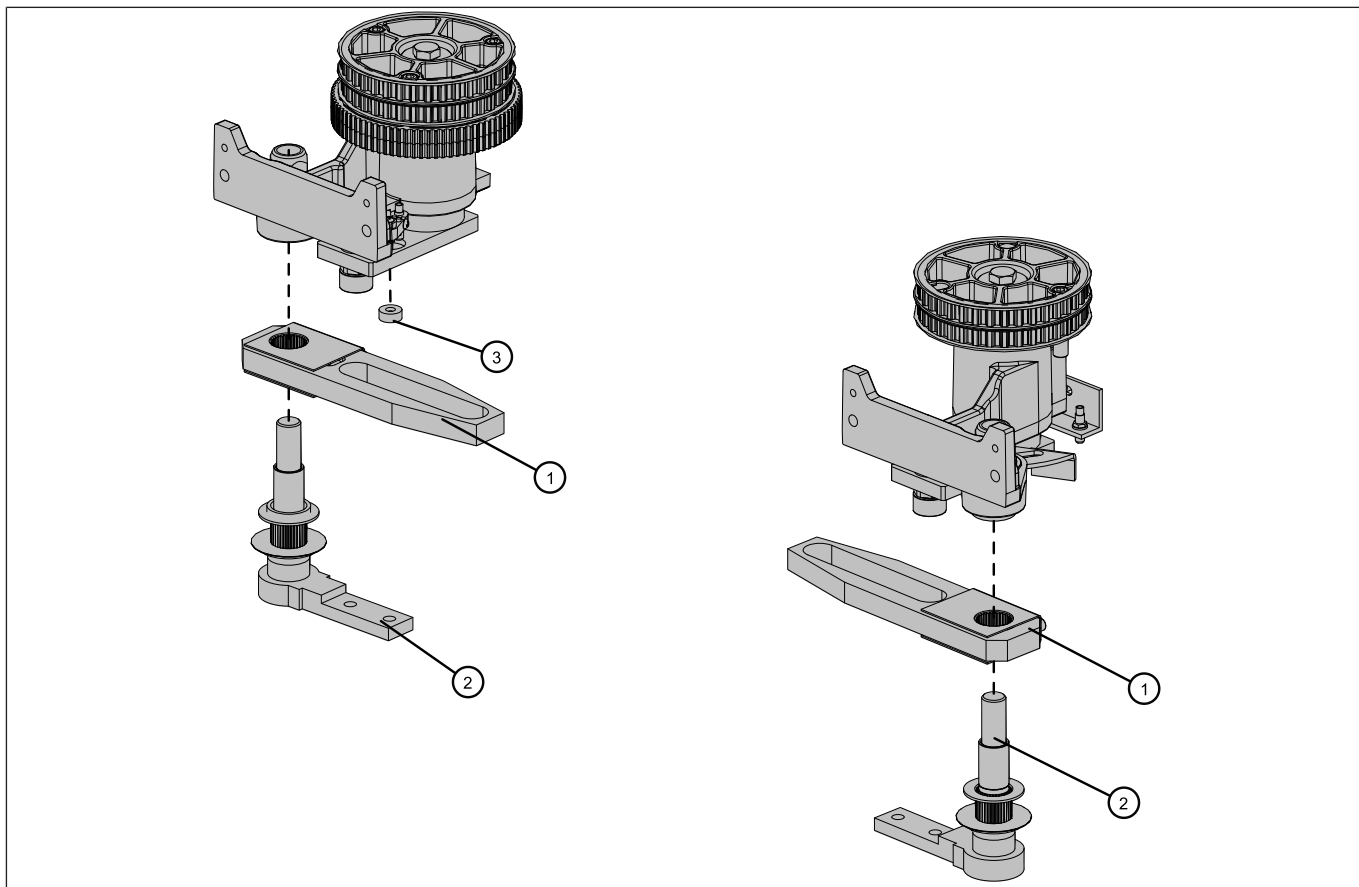
Pos.	Description	Record Art. No.	ASSA ABLOY Art. No.
1	Entrance <i>Entrance</i> [▶ 37]	-	-
2	Ceiling <i>Ceiling</i> [▶ 40]	-	-
3	Exit <i>Exit</i> [▶ 42]	-	-
4	Side panel <i>Side panel</i> [▶ 45]	-	-
5	Posts <i>Posts</i> [▶ 47]	-	-

2.1.1 Entrance

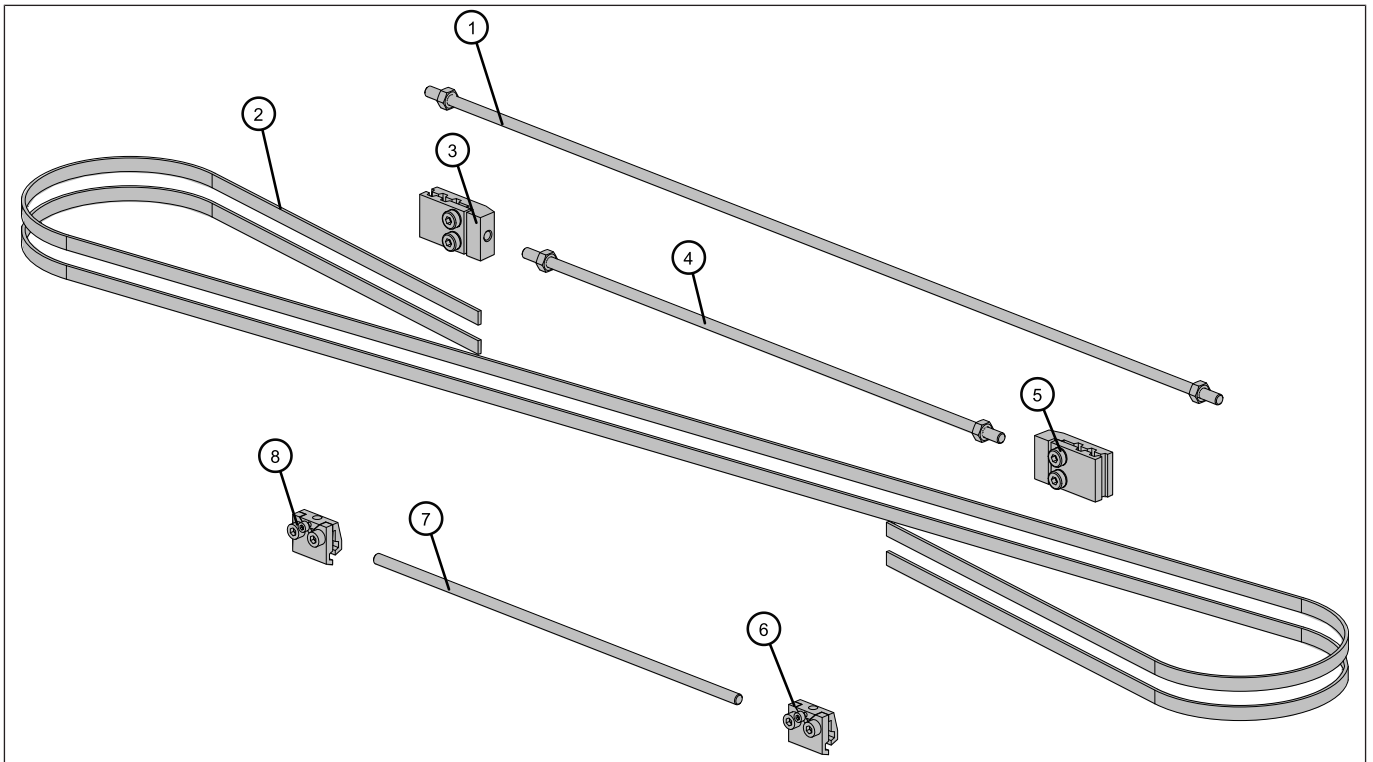


Pos.	Description	Record Art. No.	ASSA ABLOY Art. No.
1	Gear-belt RPP Gold 535-GLD5M15	102-123809	33102-123809
2	ATE FTA / FBO 63x55	102-107810186	33102-107810186
3	Holding magnet, replaced by:	102-013080008	No spare part
	Locking device cpl.	102-102808005	33102-102808005
4	Left bearing block with arm	121-102811982	33121-102811982
5	Connexion card in and out FlipFlow (Varioface/F-SO7250)	115-005900090	33115-005900090
6	Bearing block Right with arm	121-102811981	33121-102811981
7	BDES 5 POINTS	121-005900707	33121-005900707
8	Red led light	121-115311	33121-115311
9	PCB assembly Pict FlipFlow	102-102507000	33102-102507000
10	RAD 290 GK	102-290808841	33102-290808841
11	Speaker	121-118585	33121-118585

2 Product versions - Till November 2023



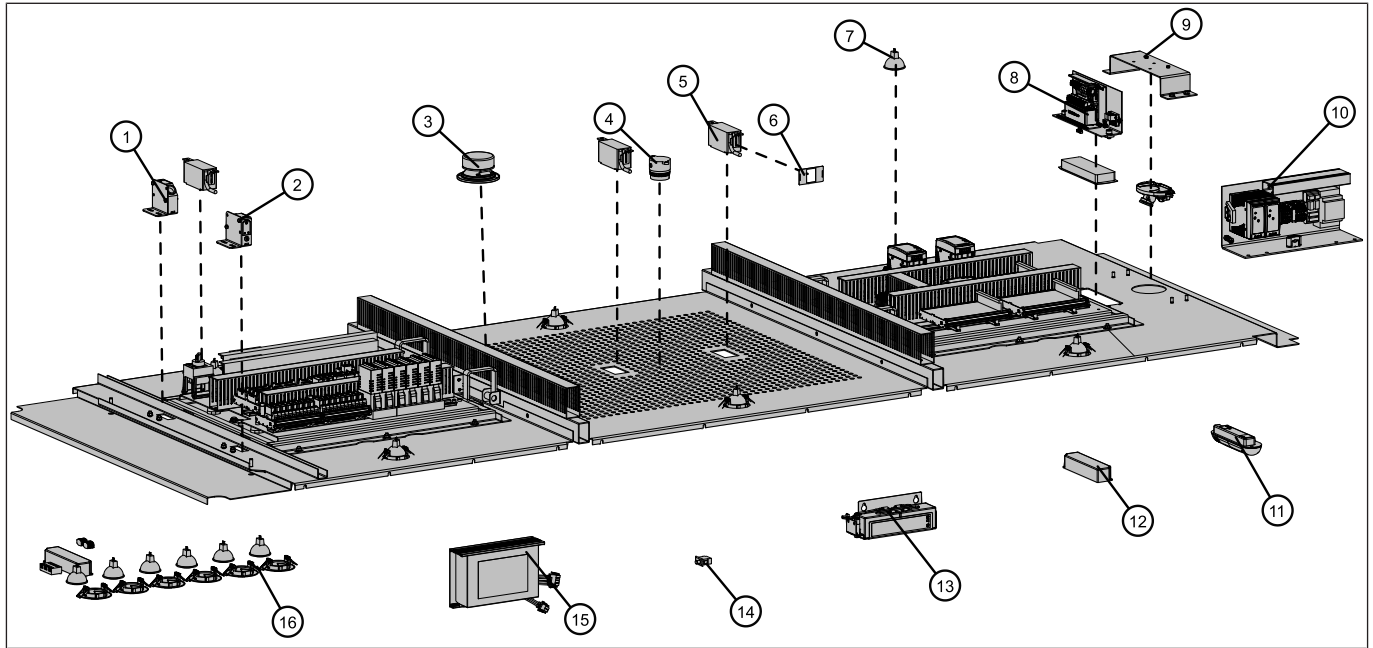
Pos.	Description	Record Art. No.	ASSA ABLOY Art. No.
1	Inner lever cpl. A<1500	102-100044000	33102-100044000
2	Output shaft cpl.	102-100042000	33102-100042000
3	Permanent magnet MO 15X6 mm	102-032120	33102-032120



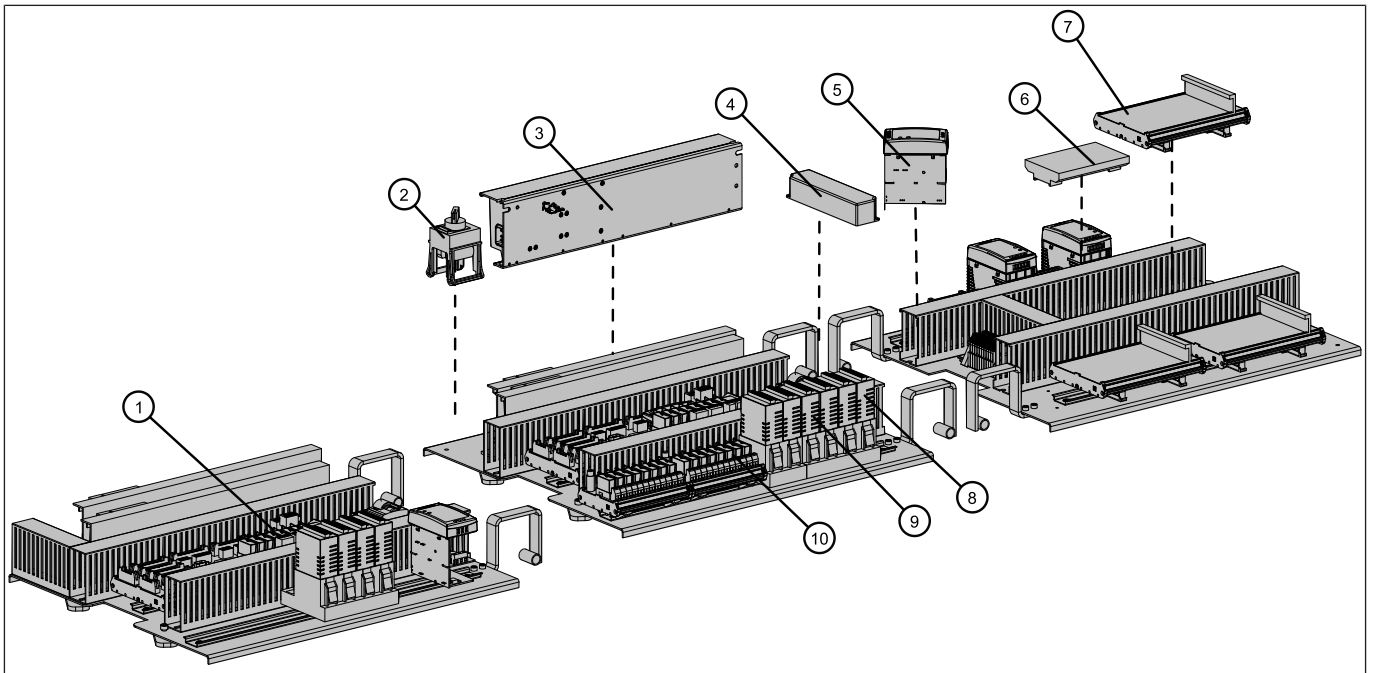
Pos.	Description	Record Art. No.	ASSA ABLOY Art. No.
1	Tension rod long, FTA A=1100-1600 mm, FlipFlow A=1100 mm	102-105001004	33102-105001004
2	Toothed drive belt Breco 8T10/M-DL	115-005900055	33115-005900055
3	Belt coupler right cpl. FlipFlow A=900 mm	102-105001000	33102-105001000
4	Tension rod medium, FTA A=800-1100 mm, FlipFlow A=900 mm	102-105001003	33102-105001003
5	Belt coupler left cpl. FlipFlow A=900-1400 mm	102-105002000	33102-105002000
6	Belt coupler left complete FlipFlow A=650 mm	102-102808003	33102-102808003
7	Tension rod short, FTA A<800 mm, FlipFlow A=650 mm	102-102108008	33102-102108008
8	Belt coupler right complete, FlipFlow A=650 mm	102-102808002	33102-102808002

2 Product versions - Till November 2023

2.1.2 Ceiling



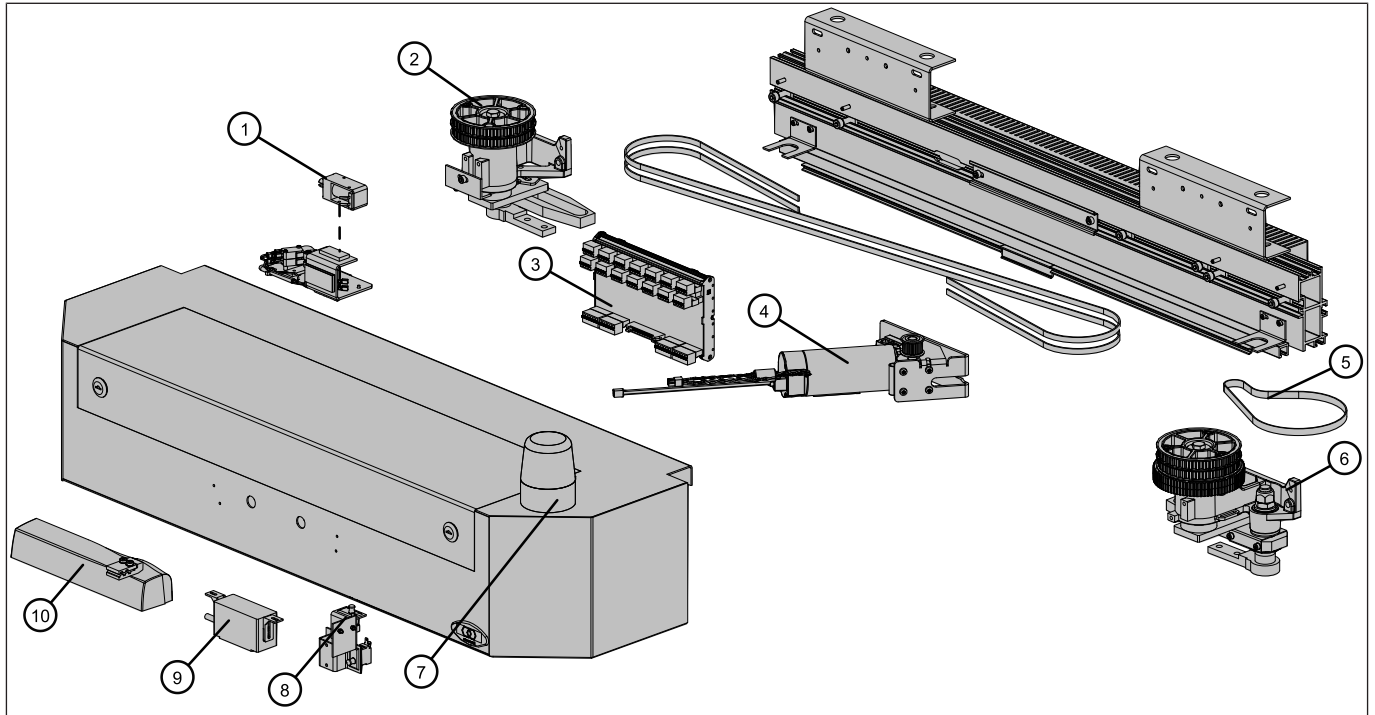
Pos.	Description	Record Art. No.	ASSA ABLOY Art. No.
1	Kit SunX N°1-UL cpl.	121-102813407	33121-102813407
2	Kit SunX N°2-UL cpl.	121-102813411	33121-102813411
3	Speaker	121-118585	33121-118585
4	AE35M-02 Buzzer small 6-28 Volt 100 dB	121-005900206	33121-005900206
5	Beambox	121-005900088	33121-005900088
6	Beambox stickers	121-005900142	33121-005900142
7	OSRAM LED Spotlight PMR163536	121-118880	33121-118880
8	TOF-3D Sensor Kit + Gateway	121-102813784	33121-102813784
9	One set BEA and camera	121-005900714	33121-005900714
10	Running light control unit FF Twin	121-102814798	33121-102814798
11	RAD 290 GK	102-290808841	33102-290808841
12	LPV-60-12 Power Supply	121-118874	33121-118874
13	Lead-acid battery cpl.	121-000808036	33121-000808036
14	Roof panel sensor	121-118827	33121-118827
15	Power supply 16-UL	102-016528000	33102-016528000
16	KIT 6 LED Spot FlipFlow	121-102813998	33121-102813998



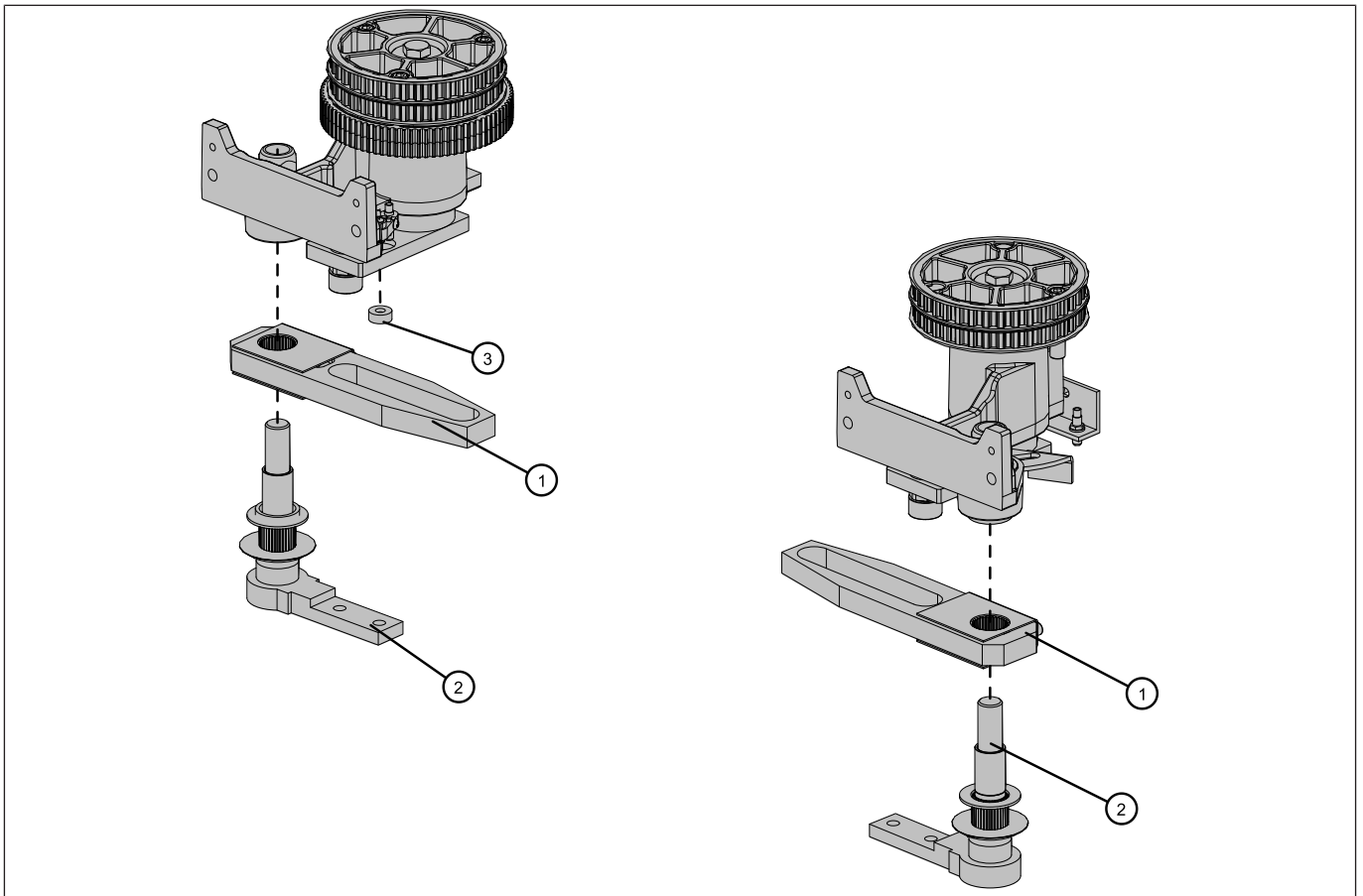
Pos.	Description	Record Art. No.	ASSA ABLOY Art. No.
1	Control Unit STG20 with PLC PCD3 M3330	121-005901421	No spare part
2	Switch maintenance kit	115-005901193	33121-124738
3	Control module STM 20	102-020808408	33102-020808408
4	LPV-60-12 Power Supply	121-118874	33121-118874
5	MDR-100-24 Power Supply	121-119277	33121-119277
6	Extended Gate Adapter	121-005901581	33121-005901581
7	Voice card cpl.	121-008991010	33121-008991010
8	16 entry plc card	121-118916	33121-118916
9	16 exit plc card	121-005900359	33121-005900359
10	FlipFlow Relay plate	121-005901178	33121-005901178

2 Product versions - Till November 2023

2.1.3 Exit

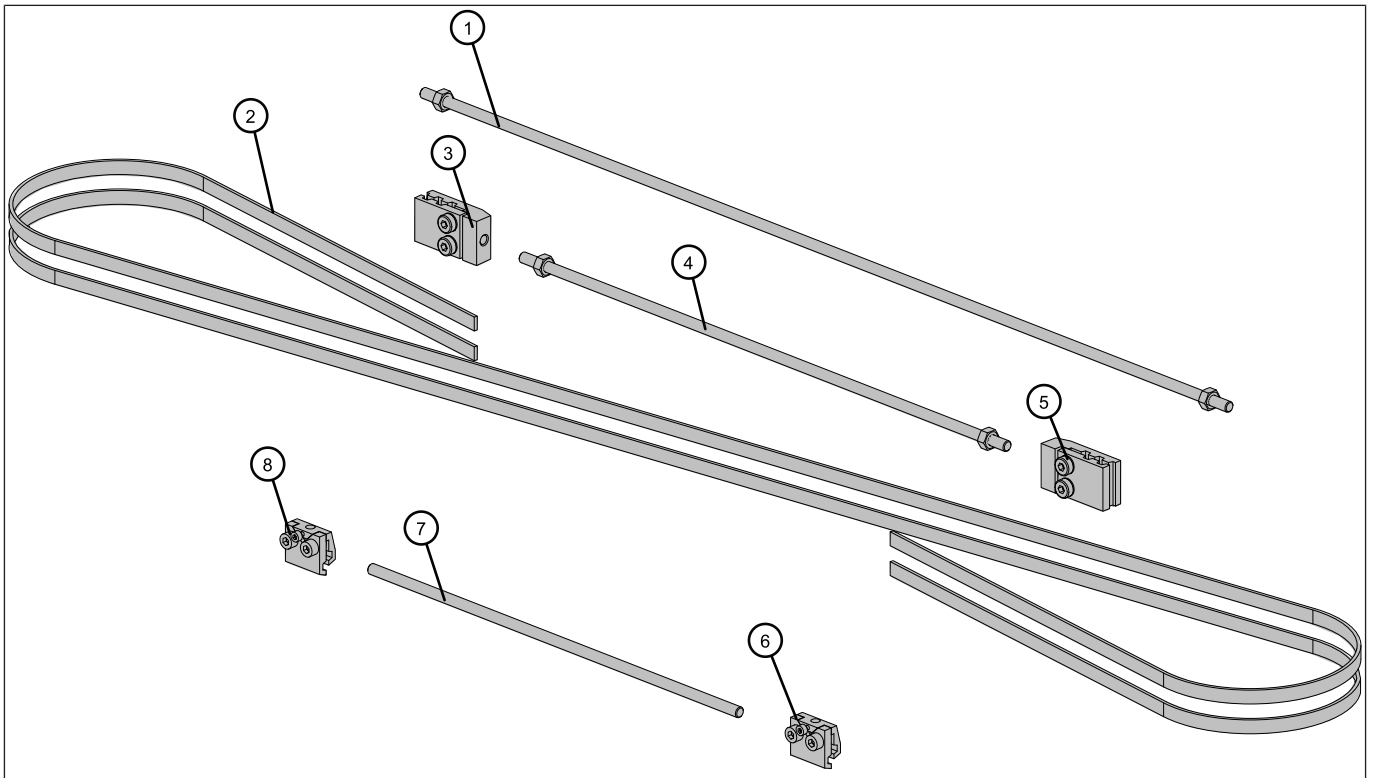


Pos.	Description	Record Art. No.	ASSA ABLOY Art. No.
1	Holding magnet, replaced by: Locking device cpl.	102-013080008	No spare part
2	Left bearing bock with arm	121-102811982	33121-102811982
3	Connexion card in and out FlipFlow (Varioface/F-SO7250)	115-005900090	33115-005900090
4	ATE FTA / FBO 63x55	102-107810186	33102-107810186
5	Gear-belt RPP Gold 535-GLD5M15	102-123809	33102-123809
6	Bearing bock Right with arm	121-102811981	33121-102811981
7	Orange flash fire	121-117354	33121-117354
8	MS 3 surveillance switch UL	121-102813464	33121-102813464
9	Beambox	121-113496	33121-113496
10	IXIO DT3 black	121-124701	33121-124701



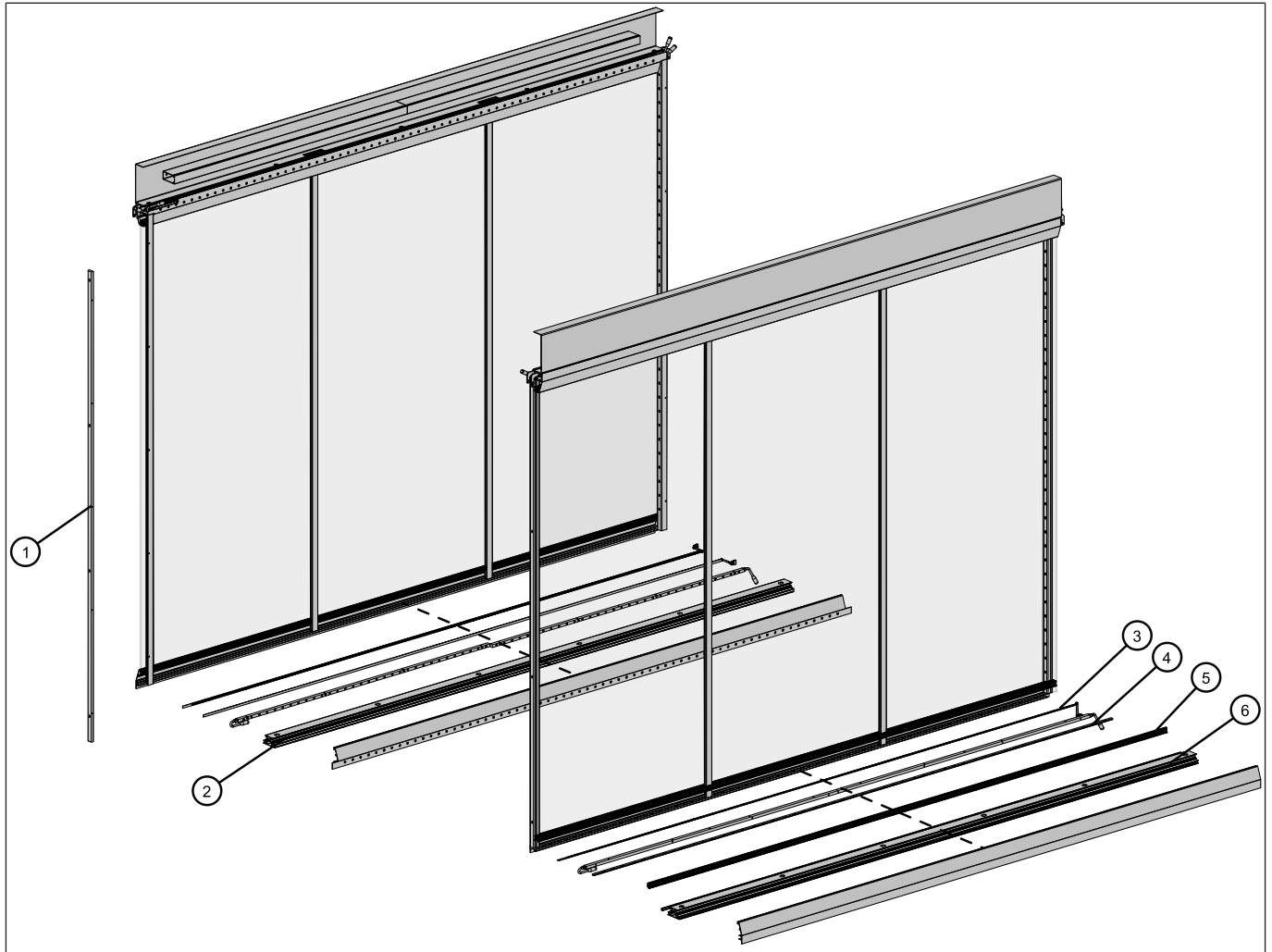
Pos.	Description	Record Art. No.	ASSA ABLOY Art. No.
1	Inner lever cpl. A<1500	102-100044000	33102-100044000
2	Output shaft cpl.	102-100042000	33102-100042000
3	Permanent magnet MO 15X6 mm	102-032120	33102-032120

2 Product versions - Till November 2023



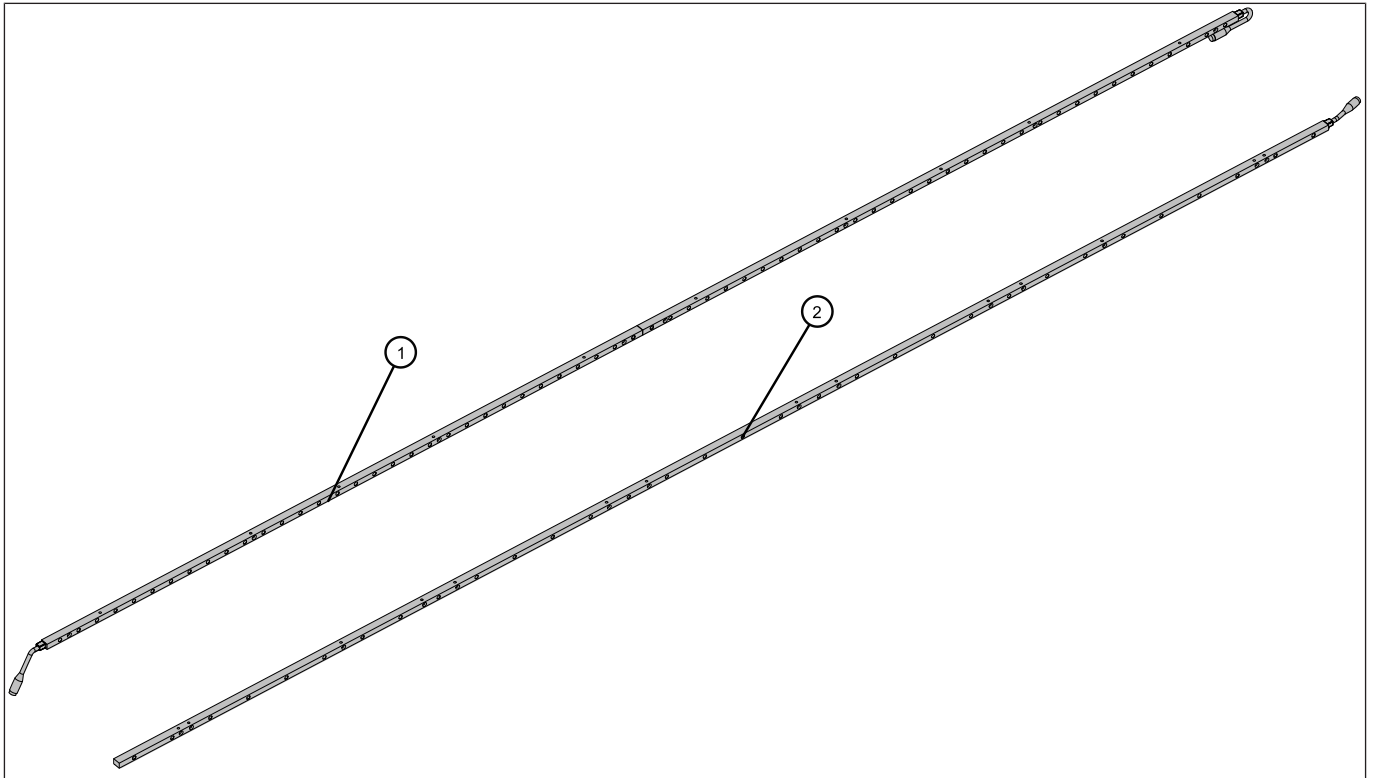
Pos.	Description	Record Art. No.	ASSA ABLOY Art. No.
1	Tension rod long, FTA A=1100-1600 mm, FlipFlow A=1100 mm	102-105001004	33102-105001004
2	Toothed drive belt Breco 8T10/M-DL	115-005900055	33115-005900055
3	Belt coupler right cpl. FlipFlow A=900 mm	102-105001000	33102-105001000
4	Tension rod medium, FTA A=800-1100 mm, FlipFlow A=900 mm	102-105001003	33102-105001003
5	Belt coupler left cpl. FlipFlow A=900-1400 mm	102-105002000	33102-105002000
6	Belt coupler left complete FlipFlow A=650 mm	102-102808003	33102-102808003
7	Tension rod short, FTA A<800 mm, FlipFlow A=650 mm	102-102108008	33102-102108008
8	Belt coupler right complete, FlipFlow A=650 mm	102-102808002	33102-102808002

2.1.4 Side panel



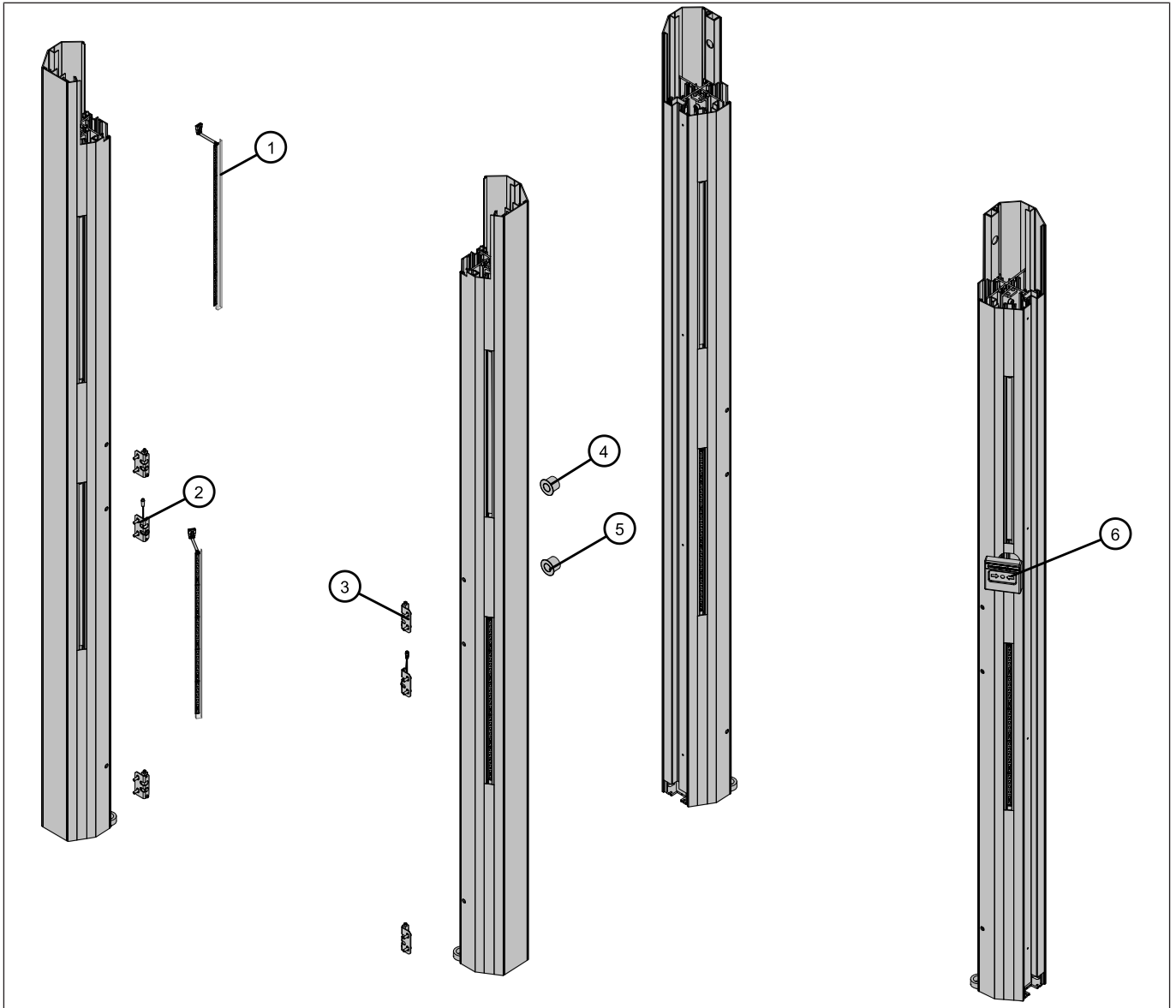
Pos.	Description	Record Art. No.	ASSA ABLOY Art. No.
1	Glass Forster gummi 9-10mm	121-102127061	33121-102127061
2	Toeboard with run light left	121-102814765	No spare part
3	LED-strip side part cpl.	121-102814764	33121-102814764
4	Cover LED run light	121-102123404	33121-102123404
5	Glass Forster gummi 5-6mm	121-005901327	33121-005901327
6	Toeboard side part	121-000123334	No spare part

2 Product versions - Till November 2023



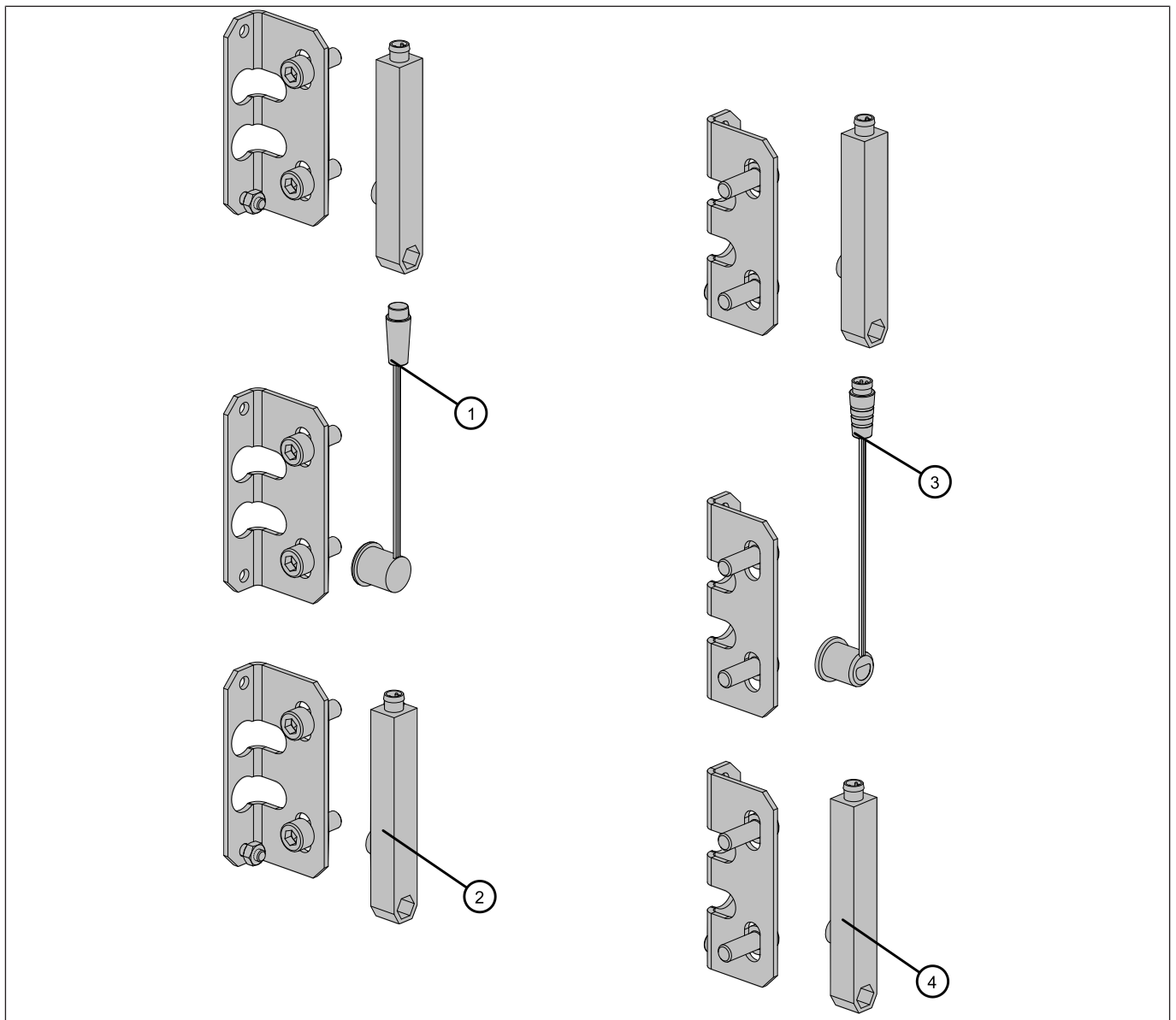
Pos.	Description	Record Art. No.	ASSA ABLOY Art. No.
1	Light barrier with cable 50 mm	121-005900167	33121-005900167
2	Light barrier CEDES >90 mm	121-005900165	33121-005900165

2.1.5 Posts



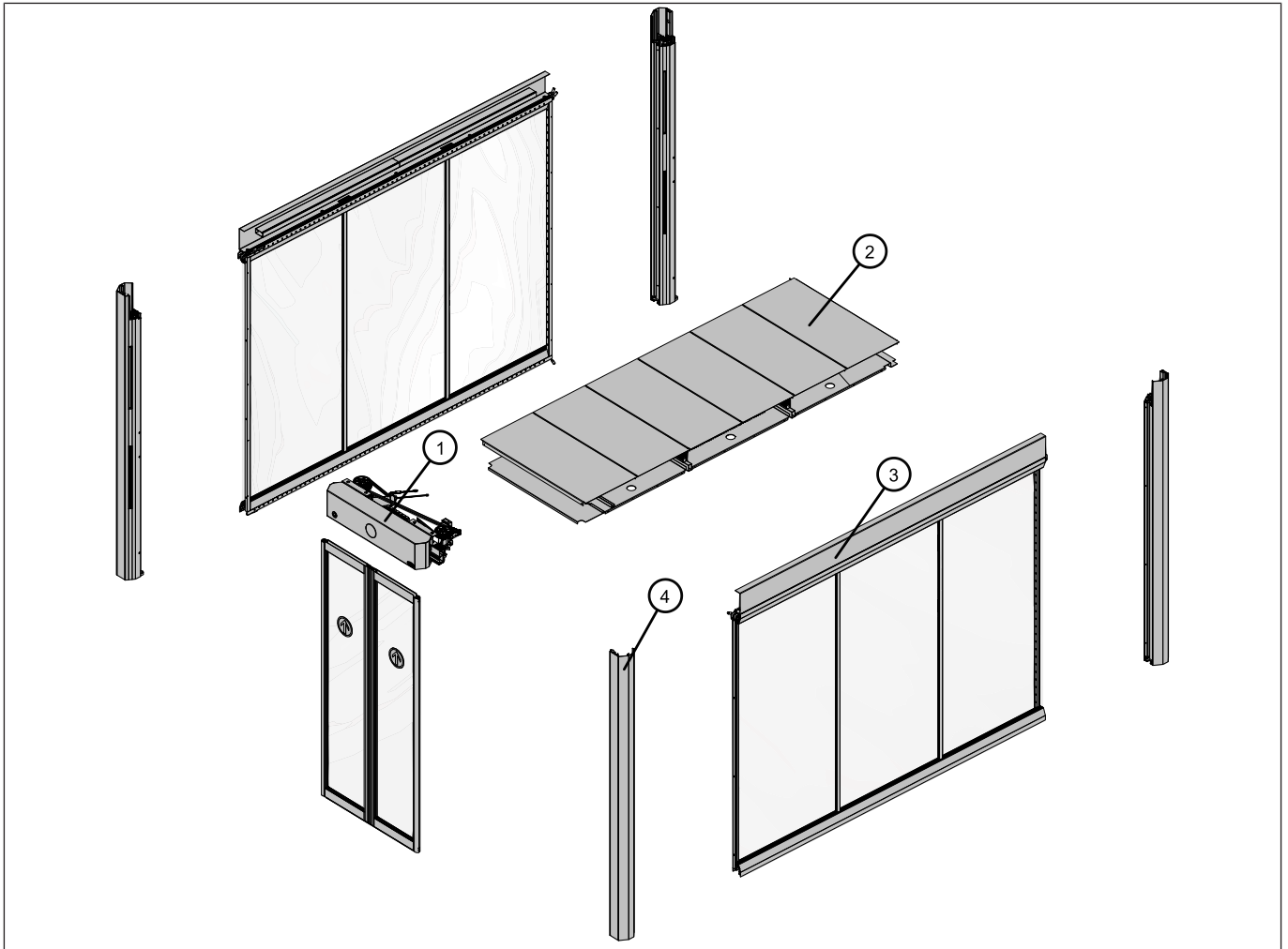
Pos.	Description	Record Art. No.	ASSA ABLOY Art. No.
1	LED-strip post complete	121-102814762	33121-102814762
2	Sensor kit post left	121-102121298	33121-102121298
3	Sensor kit post right	121-102121288	33121-102121288
4	Red led light	121-115311	33121-115311
5	Green led light	121-115312	33121-115312
6	Emergency stop button green	121-102813311	33121-102813311

2 Product versions - Till November 2023



Pos.	Description	Record Art. No.	ASSA ABLOY Art. No.
1	Light barrier receiver ELS 300	121-005900171	33121-005900171
2	ELS 260 emitter	121-000101000	33121-000101000
3	Short distance emitter Els 300 TxN	121-113844	33121-113844
4	ELS 260 receiver	121-000102000	33121-000102000

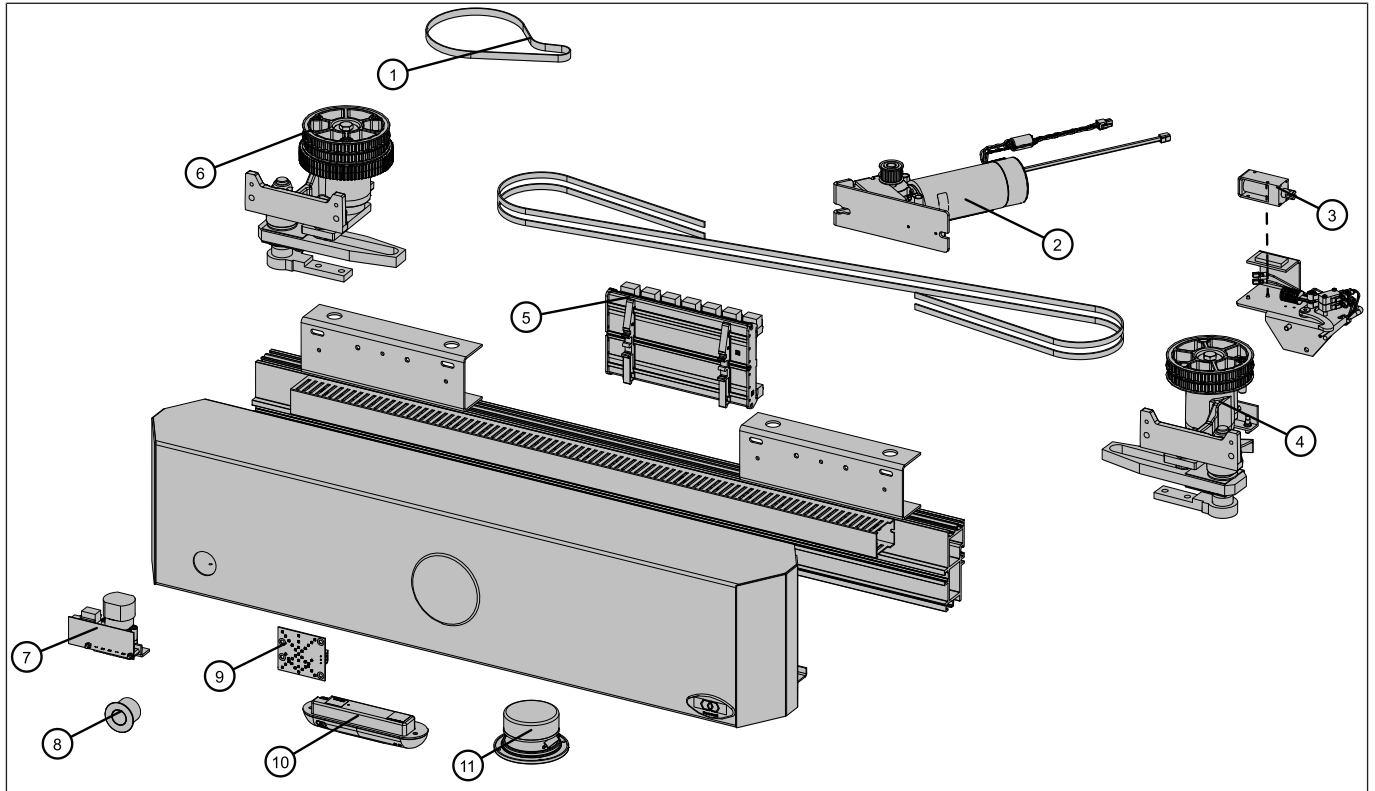
2.2 Single



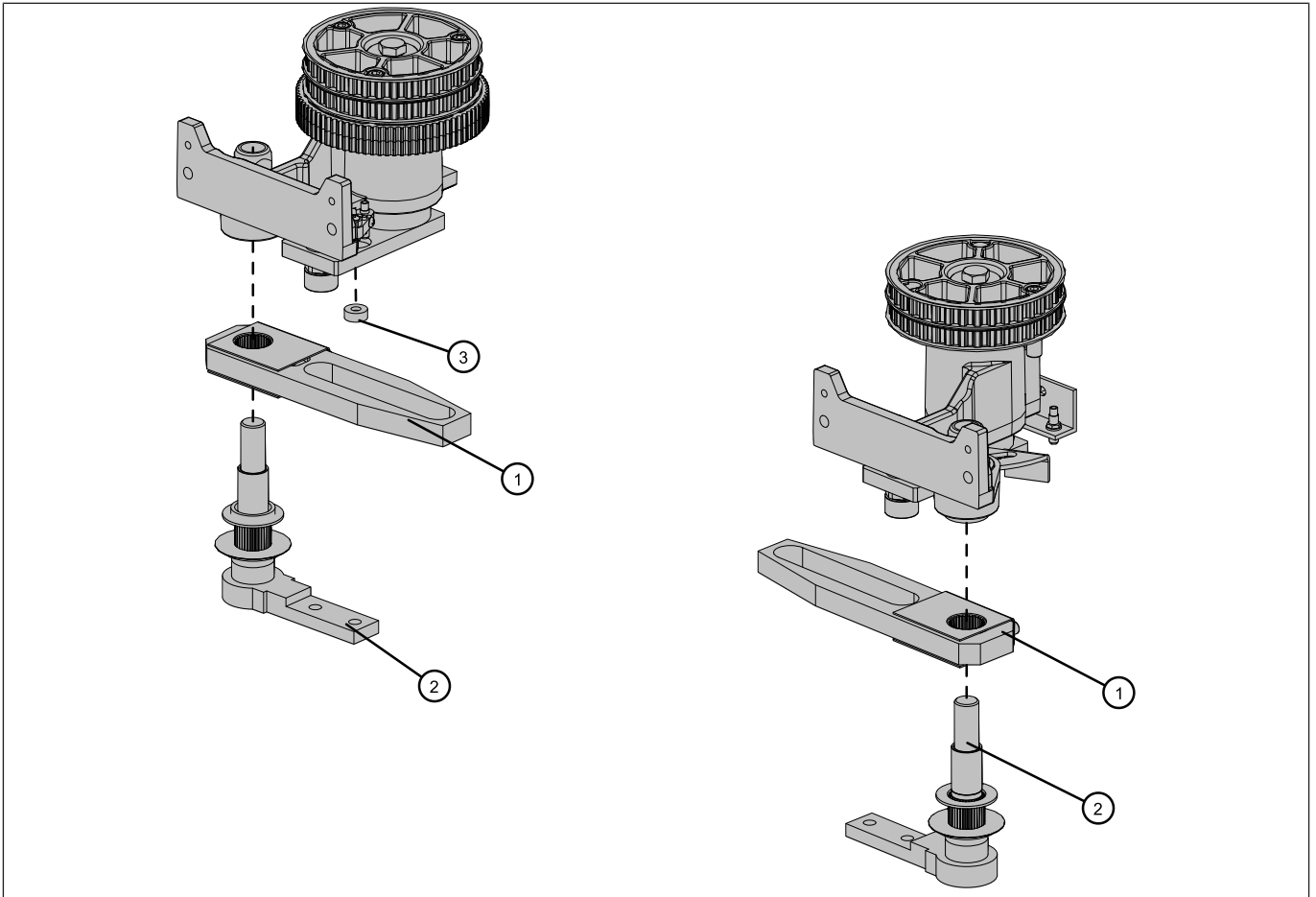
Pos.	Description	Record Art. No.	ASSA ABLOY Art. No.
1	Entrance <i>Entrance</i> [▶ 50]	-	-
2	Ceiling <i>Ceiling</i> [▶ 53]	-	-
3	Side panel <i>Side panel</i> [▶ 55]	-	-
4	Posts <i>Posts</i> [▶ 57]	-	-

2 Product versions - Till November 2023

2.2.1 Entrance

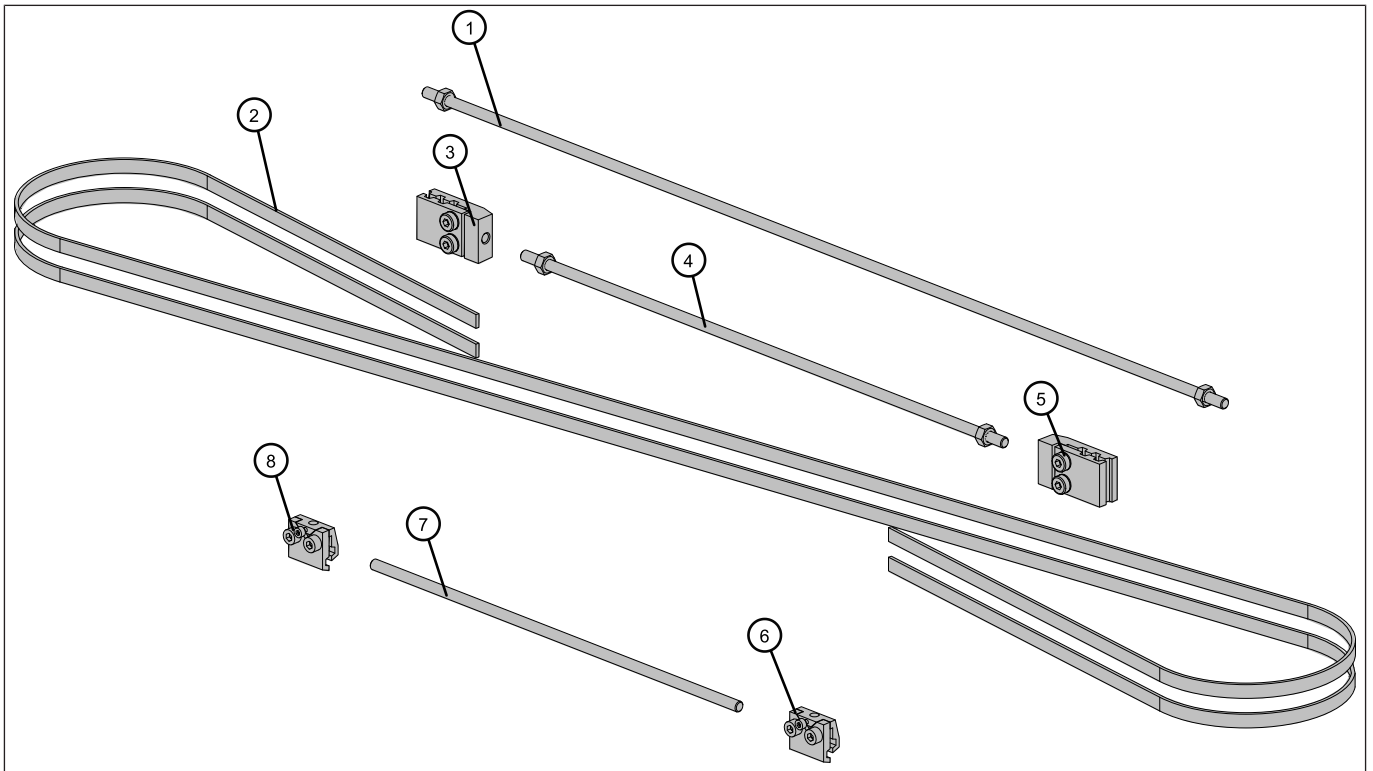


Pos.	Description	Record Art. No.	ASSA ABLOY Art. No.
1	Gear-belt RPP Gold 535-GLD5M15	102-123809	33102-123809
2	ATE FTA / FBO 63x55	102-107810186	33102-107810186
3	Holding magnet, replaced by:	102-013080008	No spare part
	Locking device cpl.	102-102808005	33102-102808005
4	Left bearing block with arm	121-102811982	33121-102811982
5	Connexion card in and out FlipFlow (Varioface/F-SO7250)	115-005900090	33115-005900090
6	Bearing block Right with arm	121-102811981	33121-102811981
7	BDES 5 POINTS	121-005900707	33121-005900707
8	Red led light	121-115311	33121-115311
9	PCB assembly Pict FlipFlow	102-102507000	33102-102507000
10	RAD 290 GK	102-290808841	33102-290808841
11	Speaker	121-118585	33121-118585



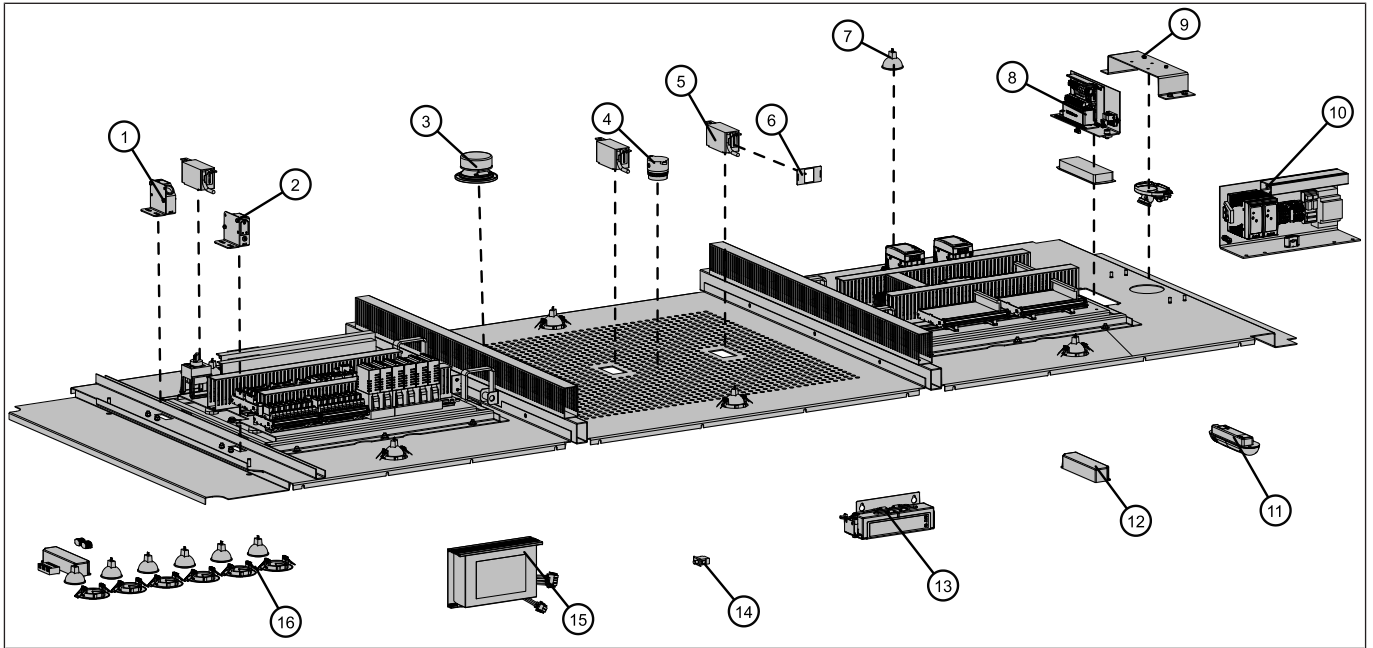
Pos.	Description	Record Art. No.	ASSA ABLOY Art. No.
1	Inner lever cpl. A<1500	102-100044000	33102-100044000
2	Output shaft cpl.	102-100042000	33102-100042000
3	Permanent magnet MO 15X6 mm	102-032120	33102-032120

2 Product versions - Till November 2023



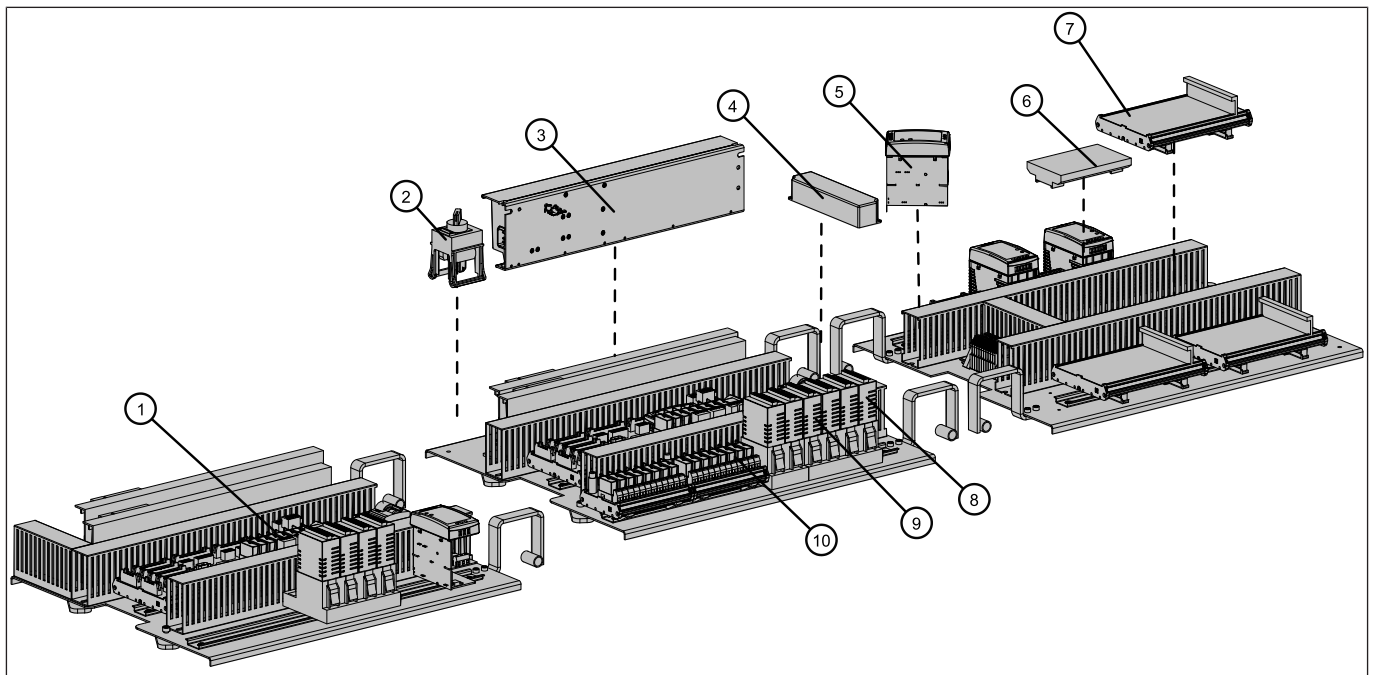
Pos.	Description	Record Art. No.	ASSA ABLOY Art. No.
1	Tension rod long, FTA A=1100-1600 mm, FlipFlow A=1100 mm	102-105001004	33102-105001004
2	Toothed drive belt Breco 8T10/M-DL	115-005900055	33115-005900055
3	Belt coupler right cpl. FlipFlow A=900 mm	102-105001000	33102-105001000
4	Tension rod medium, FTA A=800-1100 mm, FlipFlow A=900 mm	102-105001003	33102-105001003
5	Belt coupler left cpl. FlipFlow A=900-1400 mm	102-105002000	33102-105002000
6	Belt coupler left complete FlipFlow A=650 mm	102-102808003	33102-102808003
7	Tension rod short, FTA A<800 mm, FlipFlow A=650 mm	102-102108008	33102-102108008
8	Belt coupler right complete, FlipFlow A=650 mm	102-102808002	33102-102808002

2.2.2 Ceiling



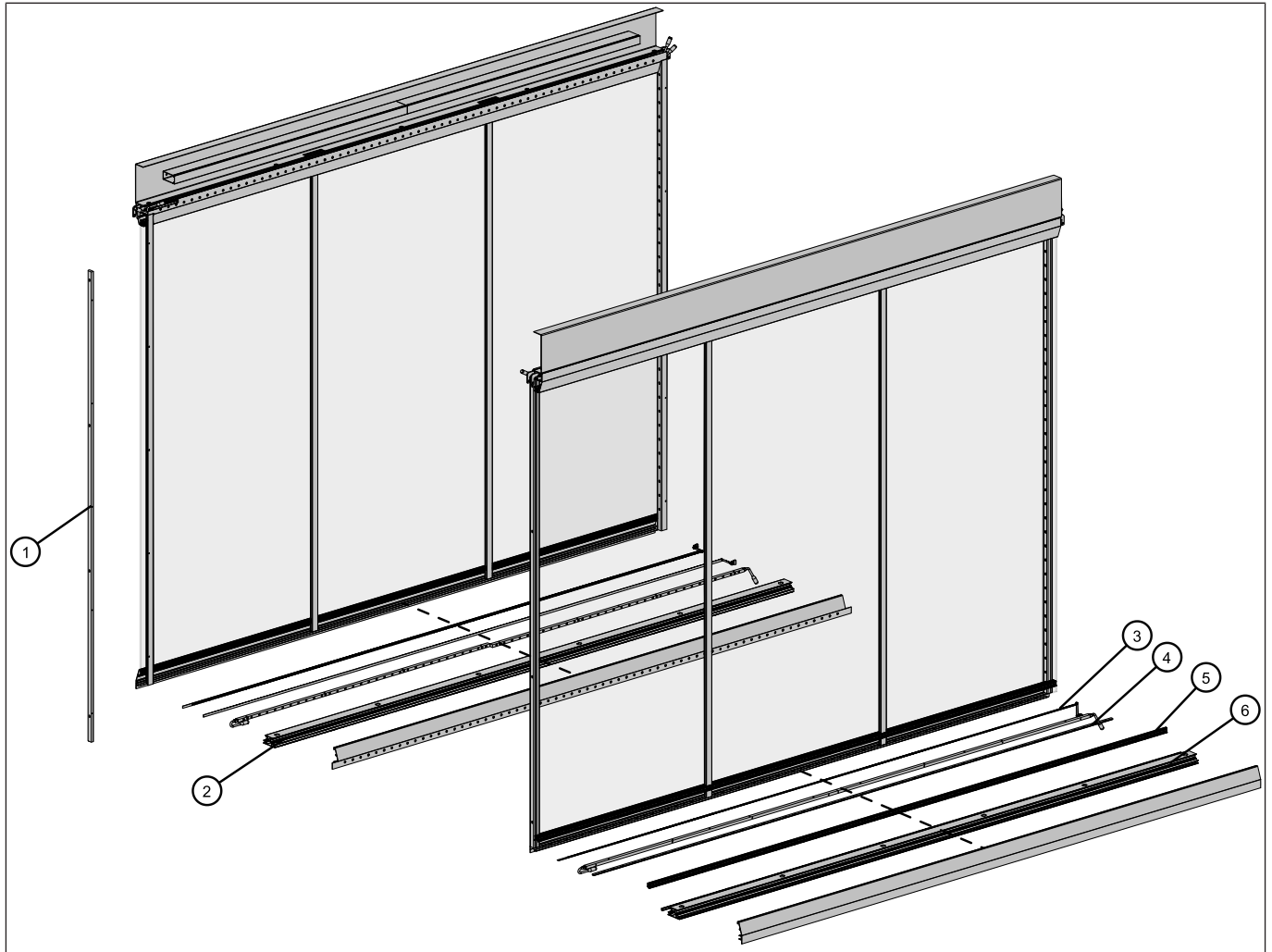
Pos.	Description	Record Art. No.	ASSA ABLOY Art. No.
1	Kit SunX N°1-UL cpl.	121-102813407	33121-102813407
2	Kit SunX N°2-UL cpl.	121-102813411	33121-102813411
3	Speaker	121-118585	33121-118585
4	AE35M-02 Buzzer small 6-28 Volt 100 dB	121-005900206	33121-005900206
5	Beambox	121-005900088	33121-005900088
6	Beambox stickers	121-005900142	33121-005900142
7	OSRAM LED Spotlight PMR163536	121-118880	33121-118880
8	TOF-3D Sensor Kit + Gateway	121-102813784	33121-102813784
9	One set BEA and camera	121-005900714	33121-005900714
10	Running light control unit FF Twin	121-102814798	33121-102814798
11	RAD 290 GK	102-290808841	33102-290808841
12	LPV-60-12 Power Supply	121-118874	33121-118874
13	Lead-acid battery cpl.	121-000808036	33121-000808036
14	Roof panel sensor	121-118827	33121-118827
15	Power supply 16-UL	102-016528000	33102-016528000
16	KIT 6 LED Spot FlipFlow	121-102813998	33121-102813998

2 Product versions - Till November 2023



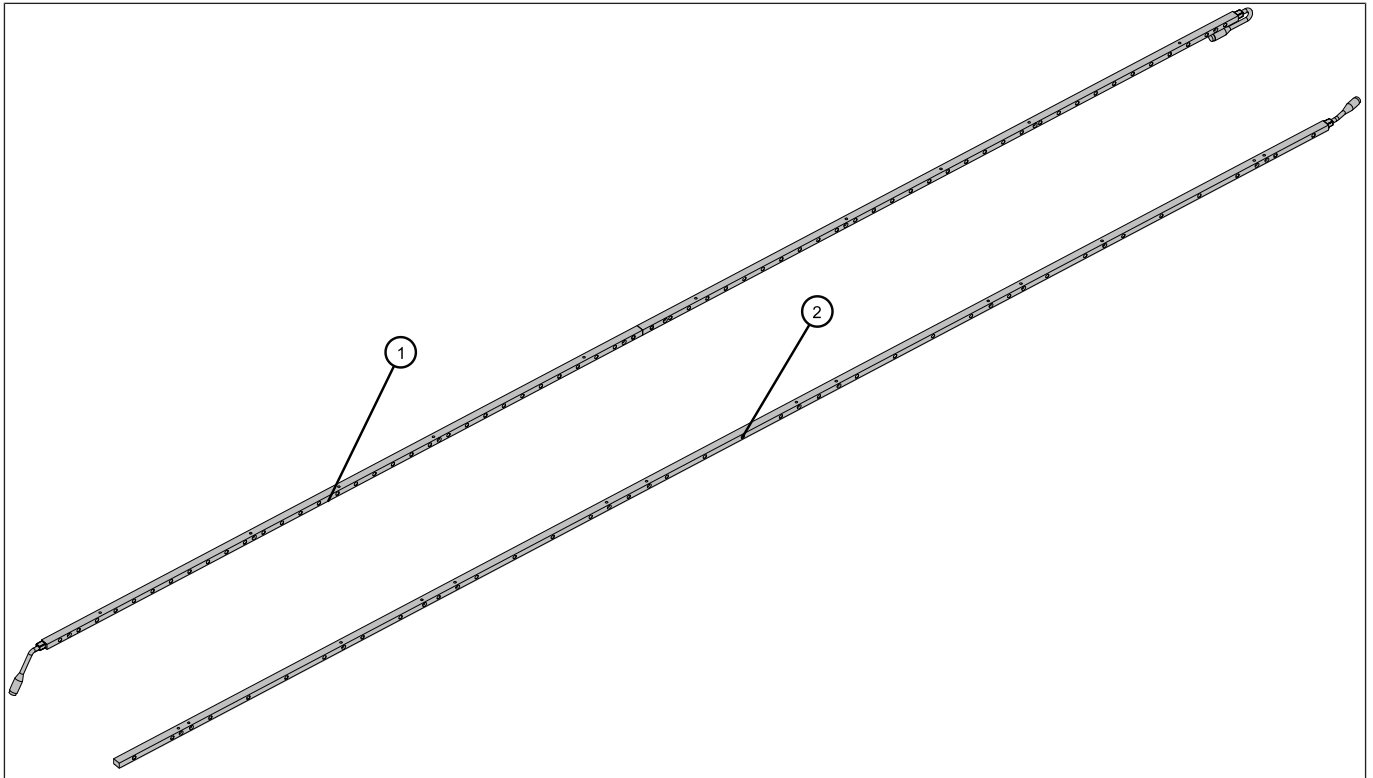
Pos.	Description	Record Art. No.	ASSA ABLOY Art. No.
1	Control Unit STG20 with PLC PCD3 M3330	121-005901421	No spare part
2	Switch maintenance kit	115-005901193	33121-124738
3	Control module STM 20	102-020808408	33102-020808408
4	LPV-60-12 Power Supply	121-118874	33121-118874
5	MDR-100-24 Power Supply	121-119277	33121-119277
6	Extended Gate Adapter	121-005901581	33121-005901581
7	Voice card cpl.	121-008991010	33121-008991010
8	16 entry plc card	121-118916	33121-118916
9	16 exit plc card	121-005900359	33121-005900359
10	FlipFlow Relay plate	121-005901178	33121-005901178

2.2.3 Side panel



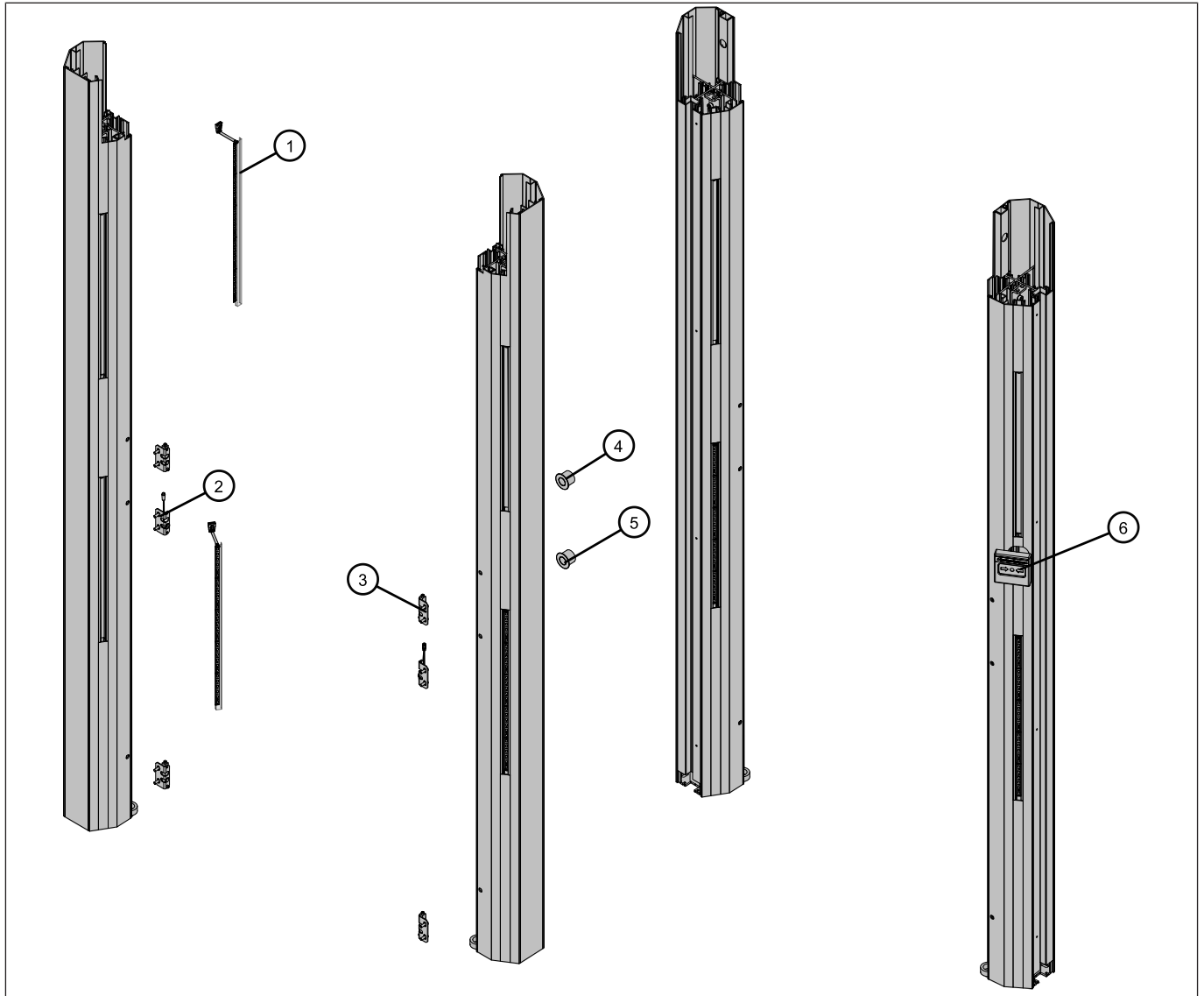
Pos.	Description	Record Art. No.	ASSA ABLOY Art. No.
1	Glass Forster gummi 9-10mm	121-102127061	33121-102127061
2	Toeboard with run light left	121-102814765	No spare part
3	LED-strip side part cpl.	121-102814764	33121-102814764
4	Cover LED run light	121-102123404	33121-102123404
5	Glass Forster gummi 5-6mm	121-005901327	33121-005901327
6	Toeboard side part	121-000123334	No spare part

2 Product versions - Till November 2023



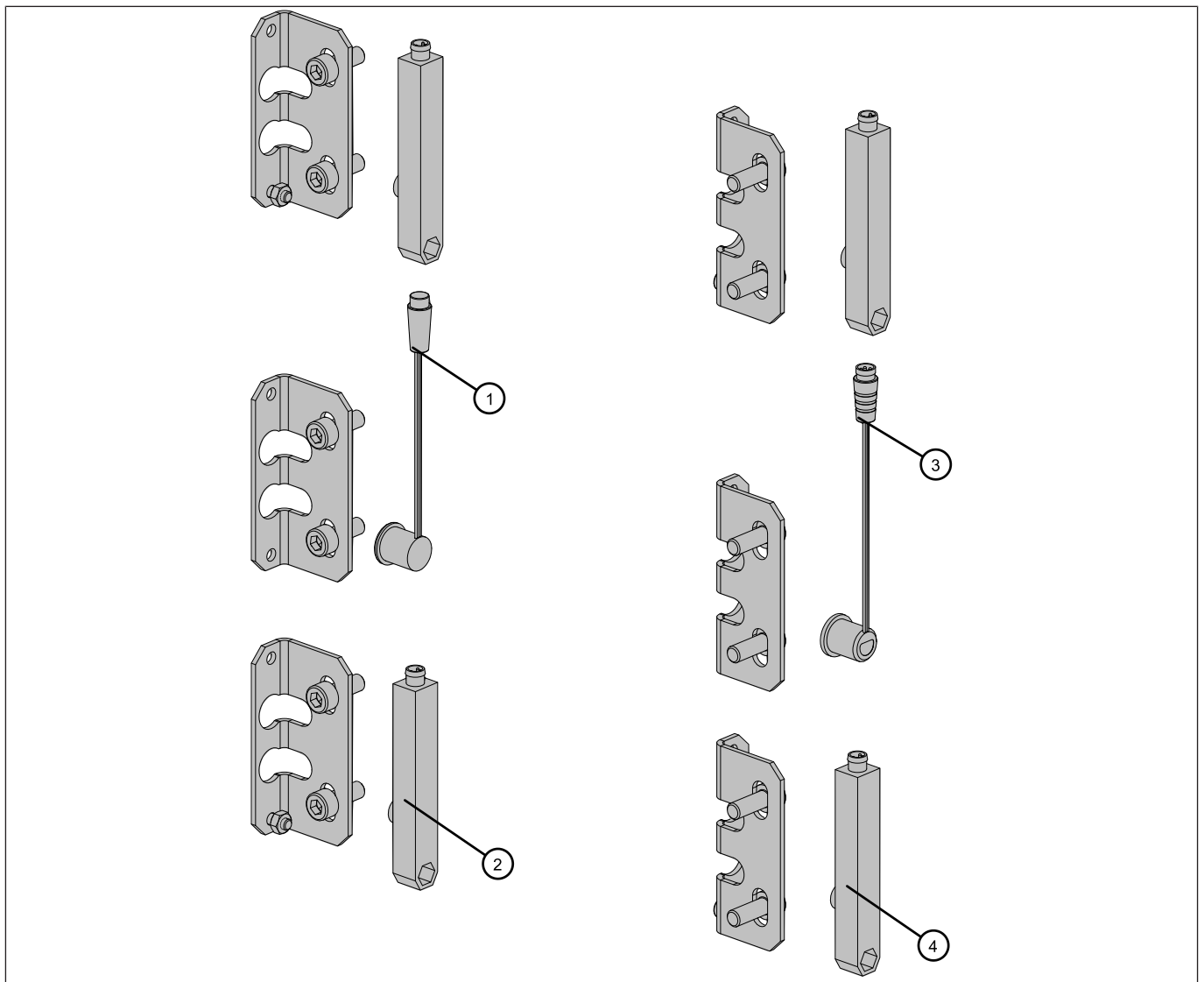
Pos.	Description	Record Art. No.	ASSA ABLOY Art. No.
1	Light barrier with cable 50 mm	121-005900167	33121-005900167
2	Light barrier CEDES >90 mm	121-005900165	33121-005900165

2.2.4 Posts



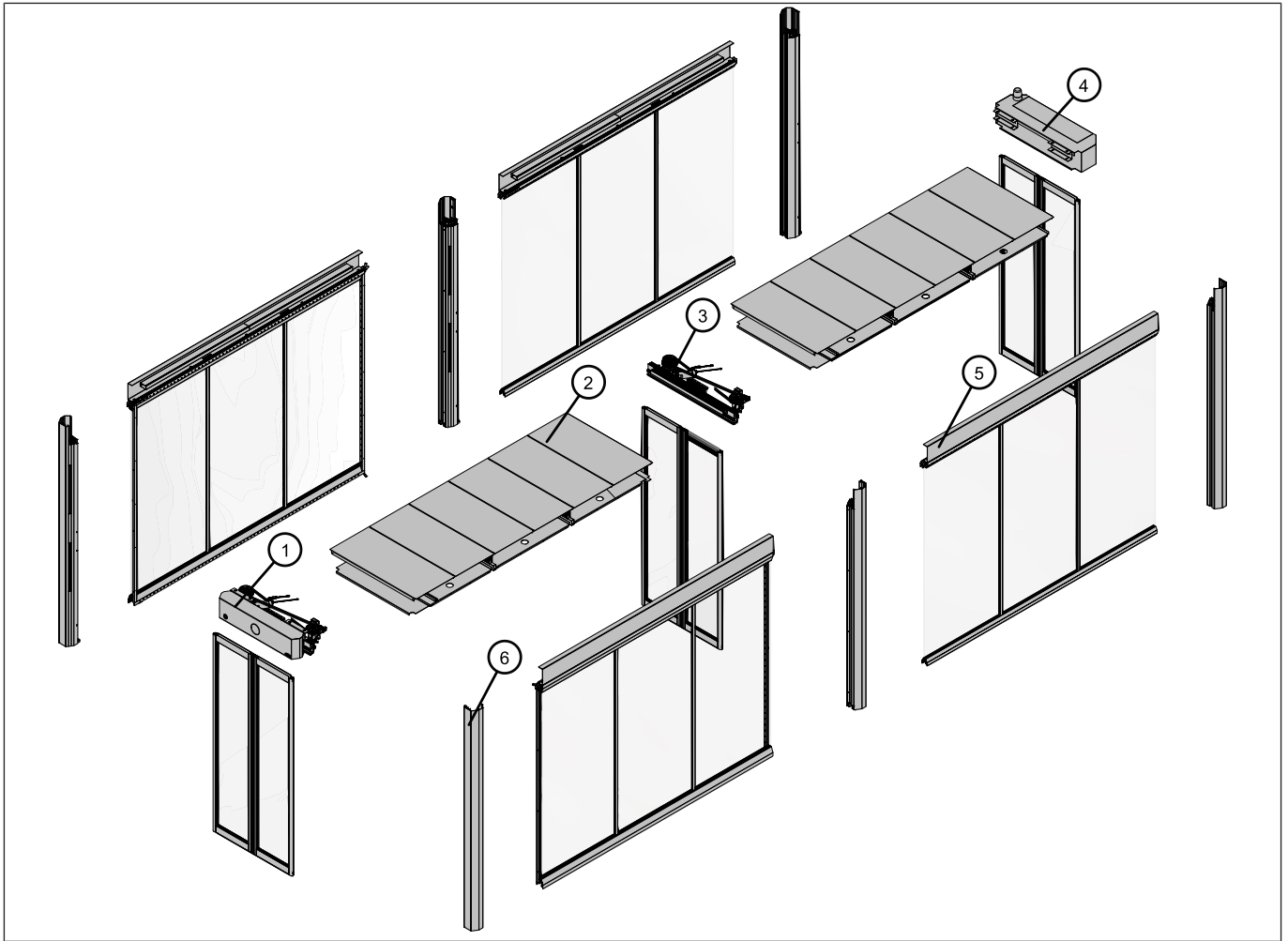
Pos.	Description	Record Art. No.	ASSA ABLOY Art. No.
1	LED-strip post complete	121-102814762	33121-102814762
2	Sensor kit post left	121-102121298	33121-102121298
3	Sensor kit post right	121-102121288	33121-102121288
4	Red led light	121-115311	33121-115311
5	Green led light	121-115312	33121-115312
6	Emergency stop button green	121-102813311	33121-102813311

2 Product versions - Till November 2023



Pos.	Description	Record Art. No.	ASSA ABLOY Art. No.
1	Light barrier receiver ELS 300	121-005900171	33121-005900171
2	ELS 260 emitter	121-000101000	33121-000101000
3	Short distance emitter Els 300 TxN	121-113844	33121-113844
4	ELS 260 receiver	121-000102000	33121-000102000

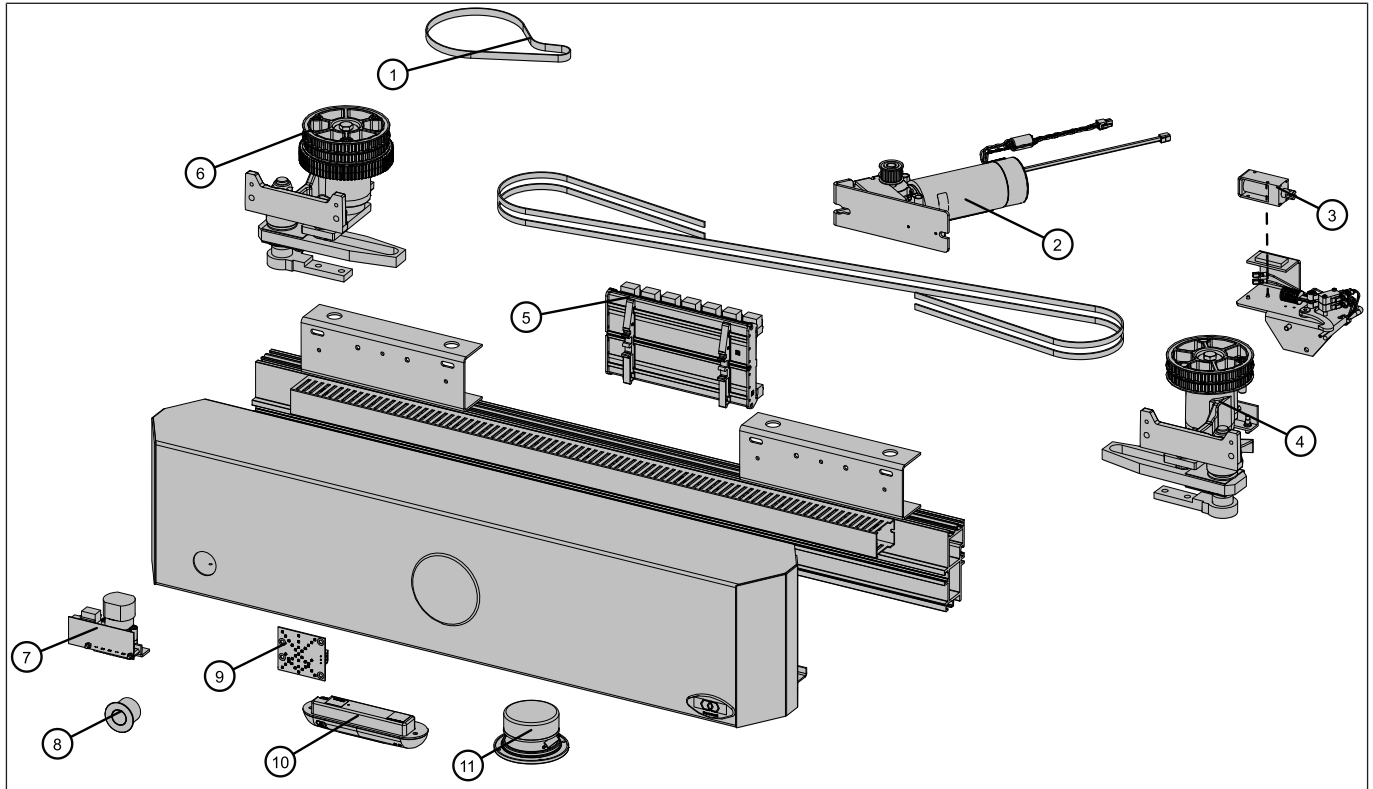
2.3 Triple



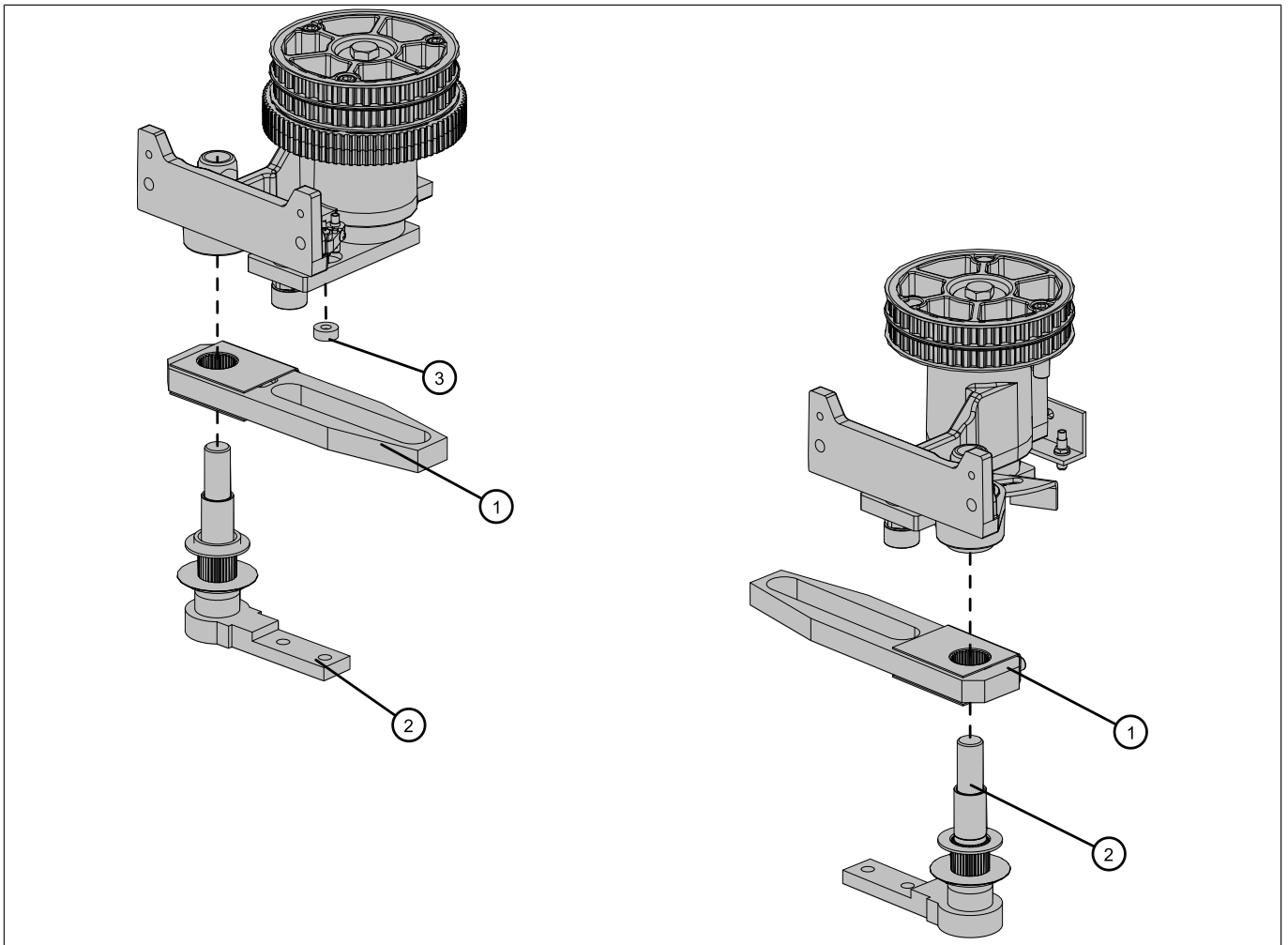
Pos.	Description	Record Art. No.	ASSA ABLOY Art. No.
1	Entrance Tunnel 1 <i>Entrance Tunnel 1</i> [▶ 60]	-	-
2	Ceiling <i>Ceiling</i> [▶ 63]	-	-
3	Entrance Tunnel 2 <i>Entrance Tunnel 2</i> [▶ 65]	-	-
4	Exit <i>Exit</i> [▶ 68]	-	-
5	Side panel <i>Side panel</i> [▶ 71]	-	-
6	Posts <i>Posts</i> [▶ 73]	-	-

2 Product versions - Till November 2023

2.3.1 Entrance Tunnel 1

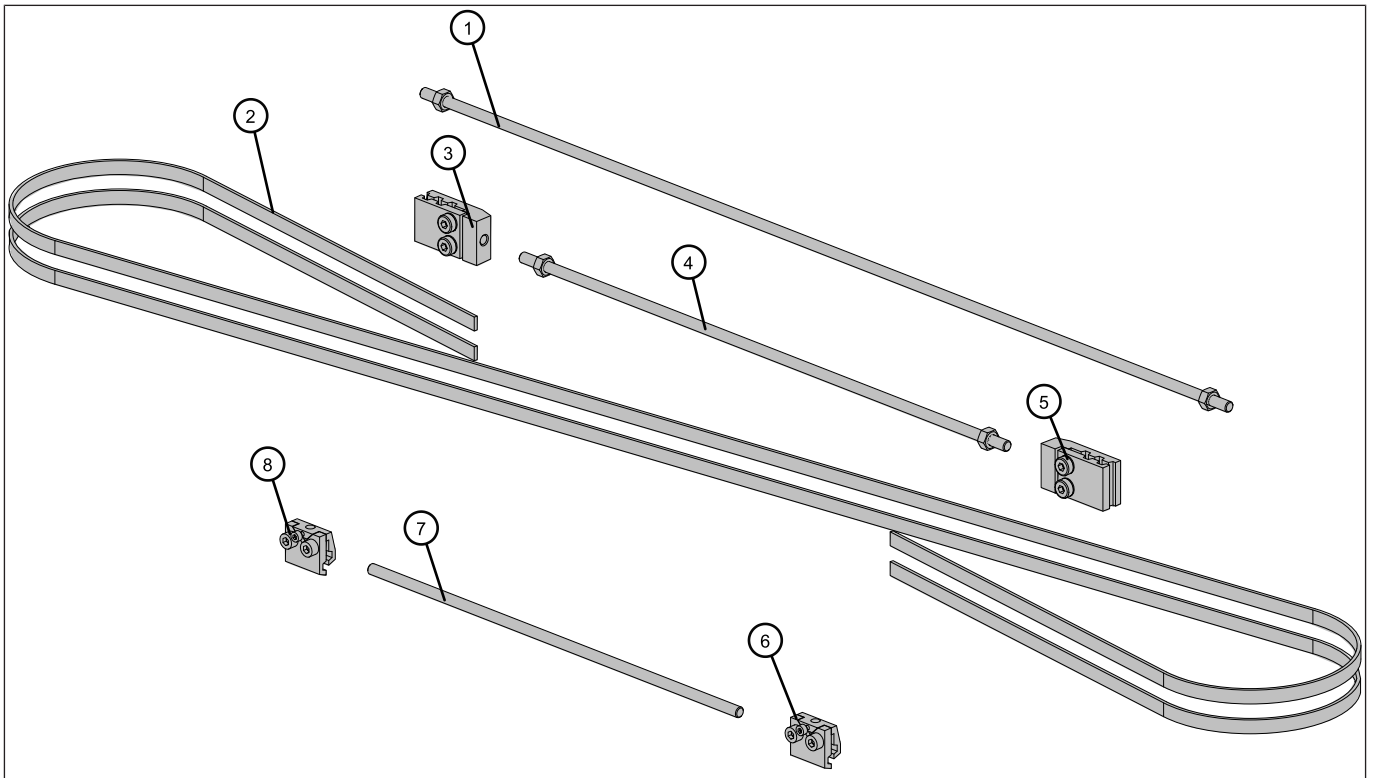


Pos.	Description	Record Art. No.	ASSA ABLOY Art. No.
1	Gear-belt RPP Gold 535-GLD5M15	102-123809	33102-123809
2	ATE FTA / FBO 63x55	102-107810186	33102-107810186
3	Holding magnet, replaced by:	102-013080008	No spare part
	Locking device cpl.	102-102808005	33102-102808005
4	Left bearing block with arm	121-102811982	33121-102811982
5	Connexion card in and out FlipFlow (Varioface/F-SO7250)	115-005900090	33115-005900090
6	Bearing block Right with arm	121-102811981	33121-102811981
7	BDES 5 POINTS	121-005900707	33121-005900707
8	Red led light	121-115311	33121-115311
9	PCB assembly Pict FlipFlow	102-102507000	33102-102507000
10	RAD 290 GK	102-290808841	33102-290808841
11	Speaker	121-118585	33121-118585



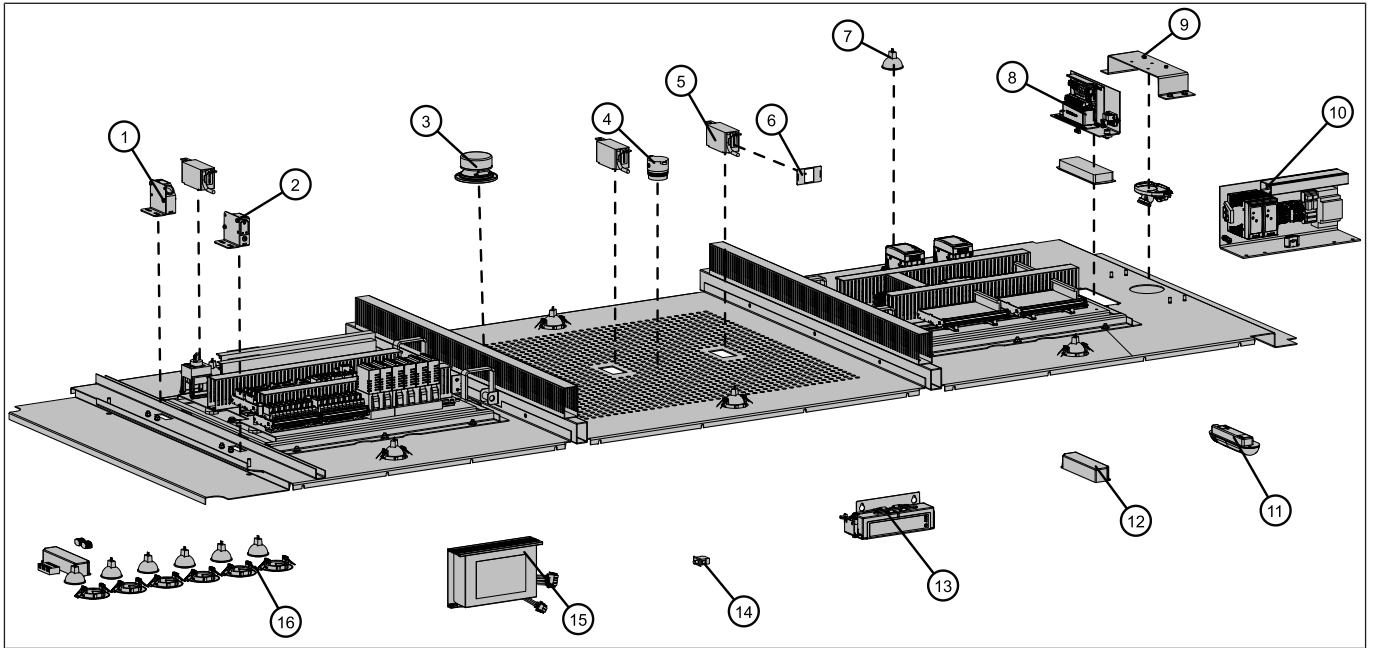
Pos.	Description	Record Art. No.	ASSA ABLOY Art. No.
1	Inner lever cpl. A<1500	102-100044000	33102-100044000
2	Output shaft cpl.	102-100042000	33102-100042000
3	Permanent magnet MO 15X6 mm	102-032120	33102-032120

2 Product versions - Till November 2023



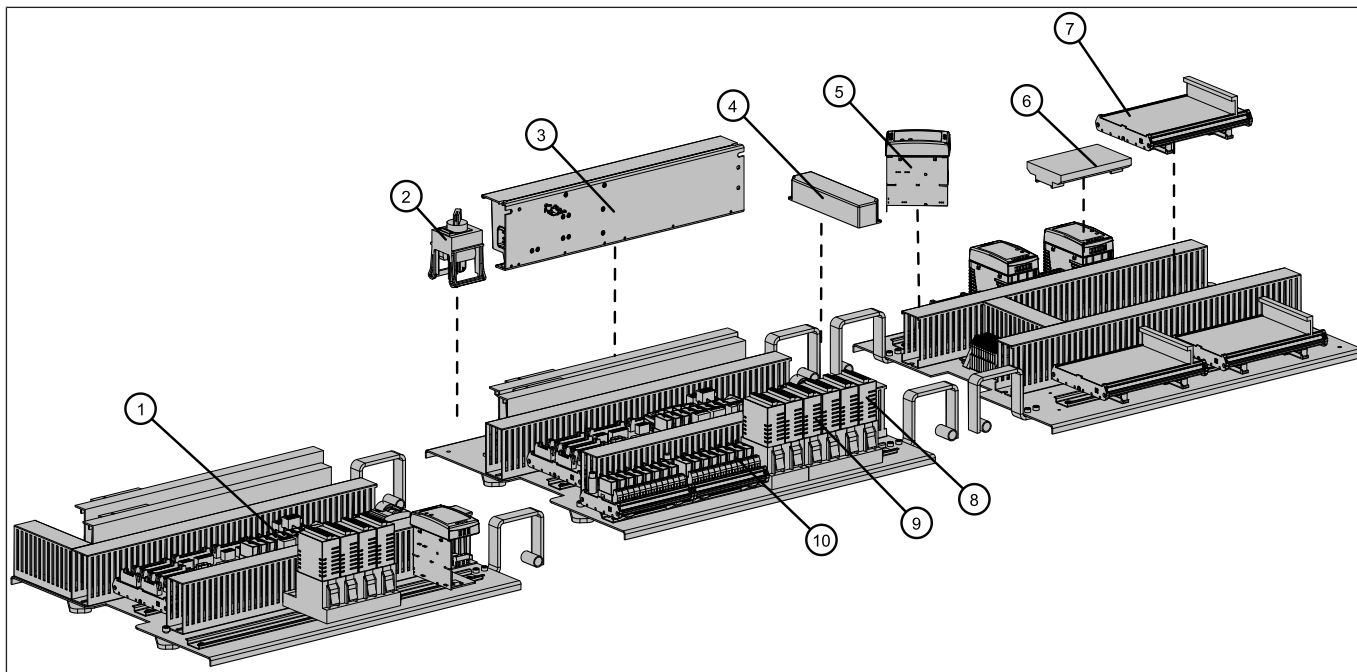
Pos.	Description	Record Art. No.	ASSA ABLOY Art. No.
1	Tension rod long, FTA A=1100-1600 mm, FlipFlow A=1100 mm	102-105001004	33102-105001004
2	Toothed drive belt Breco 8T10/M-DL	115-005900055	33115-005900055
3	Belt coupler right cpl. FlipFlow A=900 mm	102-105001000	33102-105001000
4	Tension rod medium, FTA A=800-1100 mm, FlipFlow A=900 mm	102-105001003	33102-105001003
5	Belt coupler left cpl. FlipFlow A=900-1400 mm	102-105002000	33102-105002000
6	Belt coupler left complete FlipFlow A=650 mm	102-102808003	33102-102808003
7	Tension rod short, FTA A<800 mm, FlipFlow A=650 mm	102-102108008	33102-102108008
8	Belt coupler right complete, FlipFlow A=650 mm	102-102808002	33102-102808002

2.3.2 Ceiling



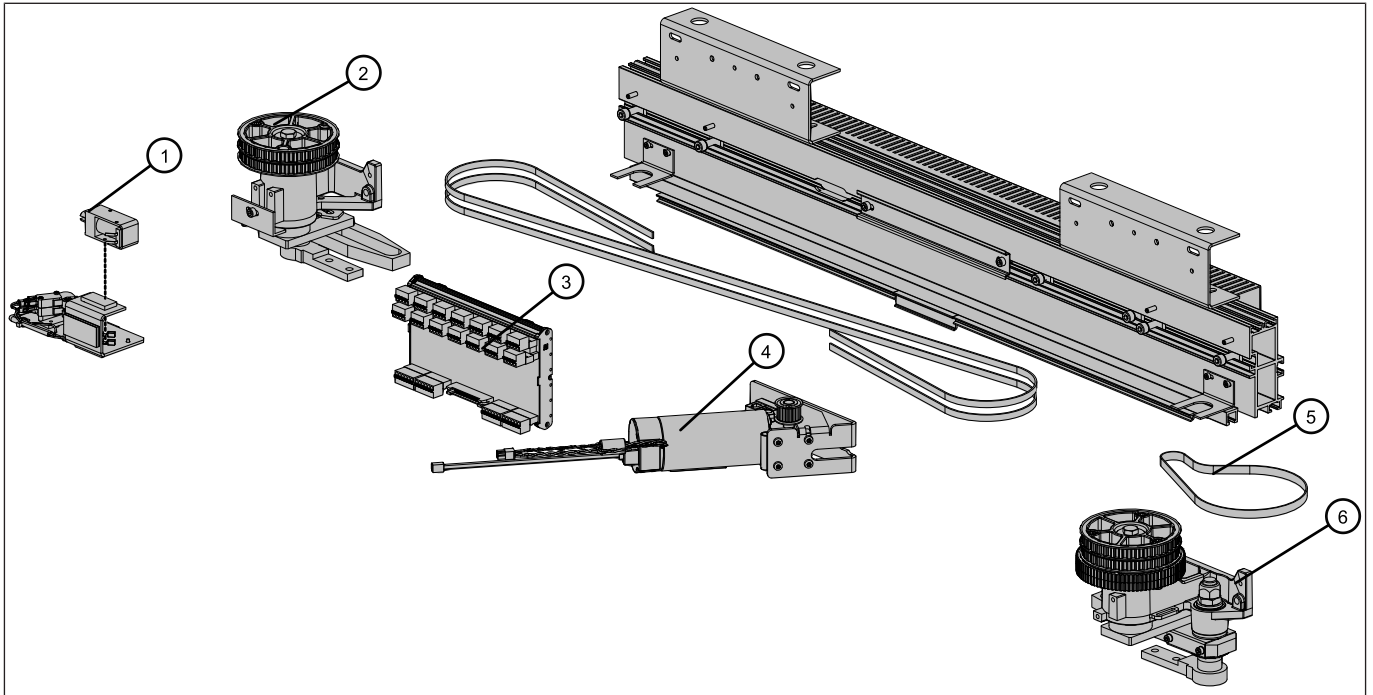
Pos.	Description	Record Art. No.	ASSA ABLOY Art. No.
1	Kit SunX N°1-UL cpl.	121-102813407	33121-102813407
2	Kit SunX N°2-UL cpl.	121-102813411	33121-102813411
3	Speaker	121-118585	33121-118585
4	AE35M-02 Buzzer small 6-28 Volt 100 dB	121-005900206	33121-005900206
5	Beambox	121-005900088	33121-005900088
6	Beambox stickers	121-005900142	33121-005900142
7	OSRAM LED Spotlight PMR163536	121-118880	33121-118880
8	TOF-3D Sensor Kit + Gateway	121-102813784	33121-102813784
9	One set BEA and camera	121-005900714	33121-005900714
10	Running light control unit FF Twin	121-102814798	33121-102814798
11	RAD 290 GK	102-290808841	33102-290808841
12	LPV-60-12 Power Supply	121-118874	33121-118874
13	Lead-acid battery cpl.	121-000808036	33121-000808036
14	Roof panel sensor	121-118827	33121-118827
15	Power supply 16-UL	102-016528000	33102-016528000
16	KIT 6 LED Spot FlipFlow	121-102813998	33121-102813998

2 Product versions - Till November 2023



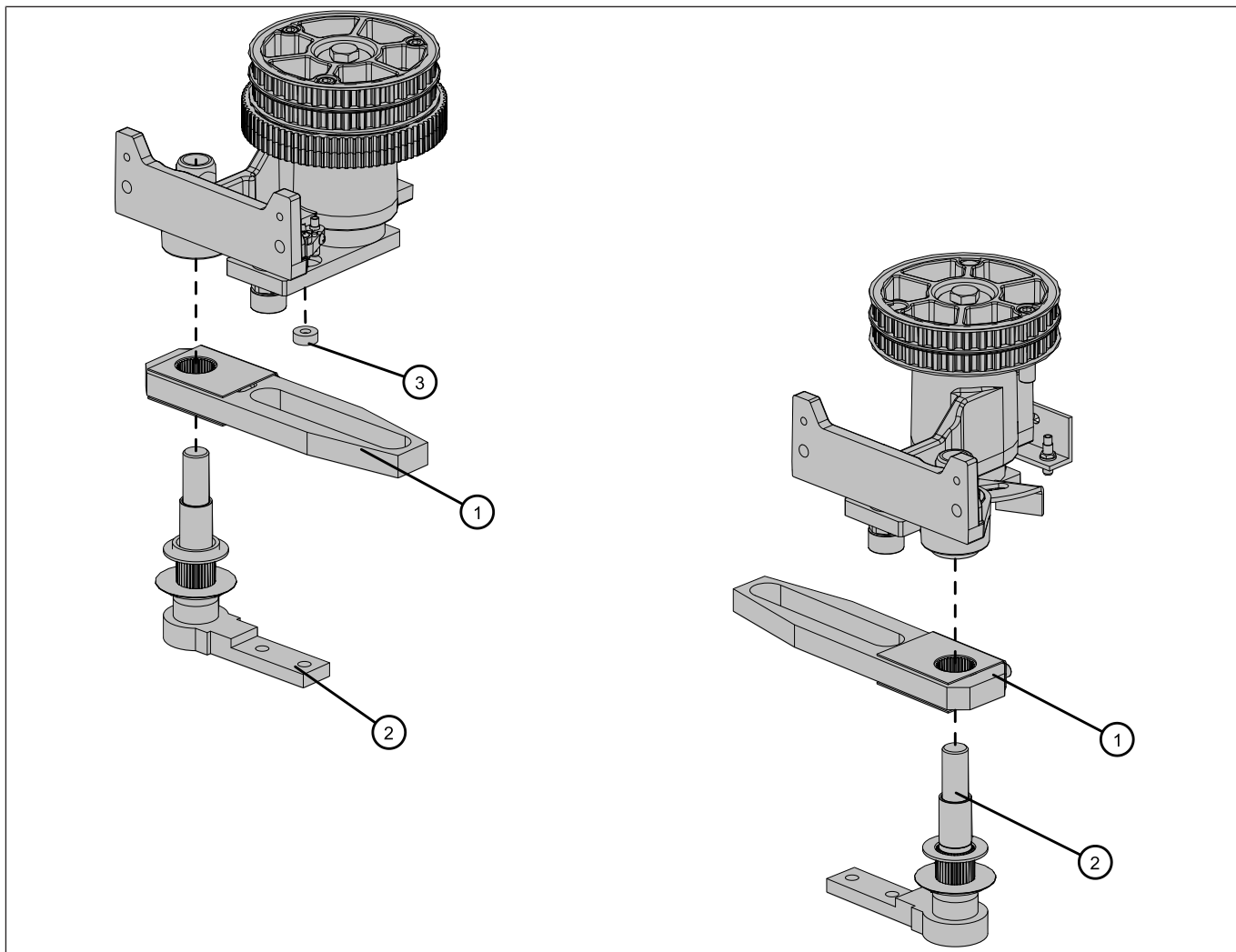
Pos.	Description	Record Art. No.	ASSA ABLOY Art. No.
1	Control Unit STG20 with PLC PCD3 M3330	121-005901421	No spare part
2	Switch maintenance kit	115-005901193	33121-124738
3	Control module STM 20	102-020808408	33102-020808408
4	LPV-60-12 Power Supply	121-118874	33121-118874
5	MDR-100-24 Power Supply	121-119277	33121-119277
6	Extended Gate Adapter	121-005901581	33121-005901581
7	Voice card cpl.	121-008991010	33121-008991010
8	16 entry plc card	121-118916	33121-118916
9	16 exit plc card	121-005900359	33121-005900359
10	FlipFlow Relay plate	121-005901178	33121-005901178

2.3.3 Entrance Tunnel 2

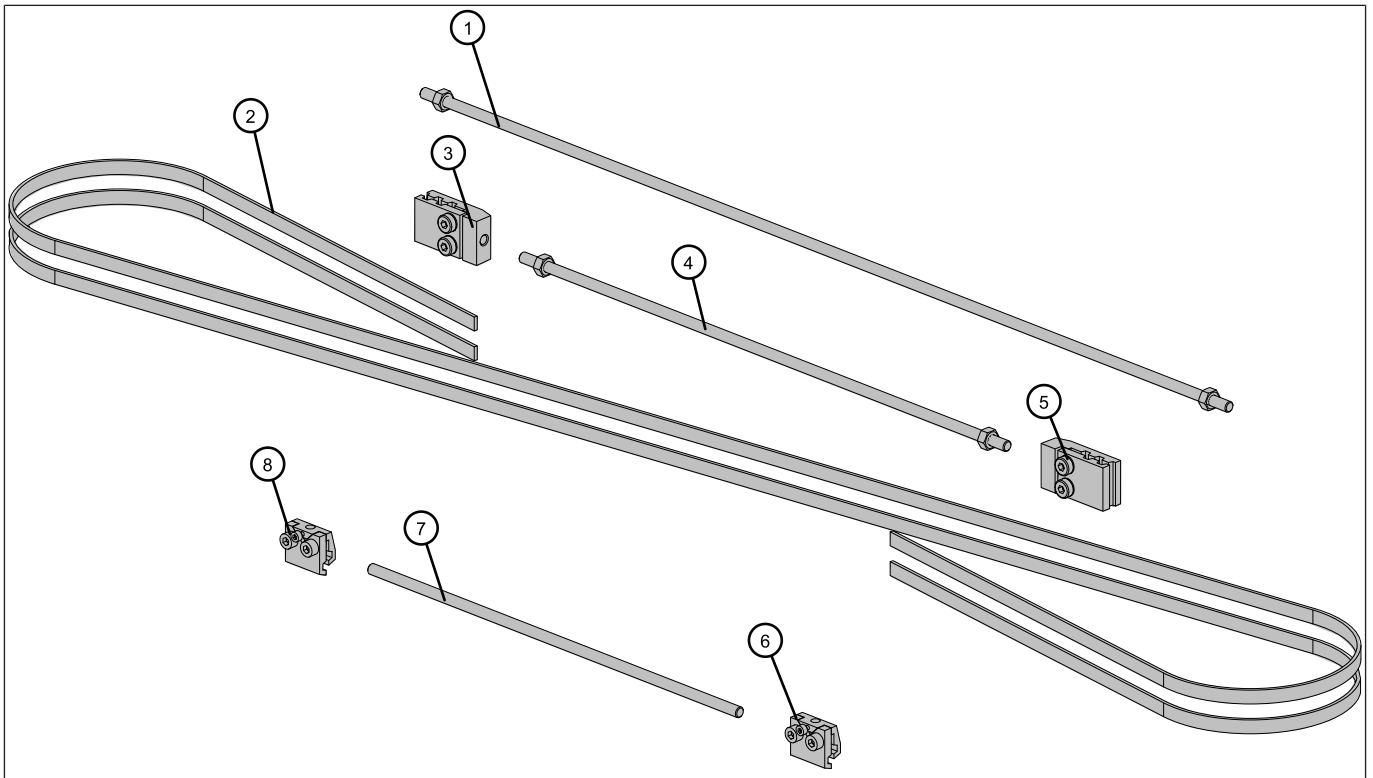


Pos.	Description	Record Art. No.	ASSA ABLOY Art. No.
1	Holding magnet, replaced by: Locking device cpl.	102-013080008 102-102808005	No spare part 33102-102808005
2	Left bearing bock with arm	121-102811982	33121-102811982
3	Connexion card in and out FlipFlow (Varioface/F-SO7250)	115-005900090	33115-005900090
4	ATE FTA / FBO 63x55	102-107810186	33102-107810186
5	Gear-belt RPP Gold 535-GLD5M15	102-123809	33102-123809
6	Bearing bock Right with arm	121-102811981	33121-102811981

2 Product versions - Till November 2023



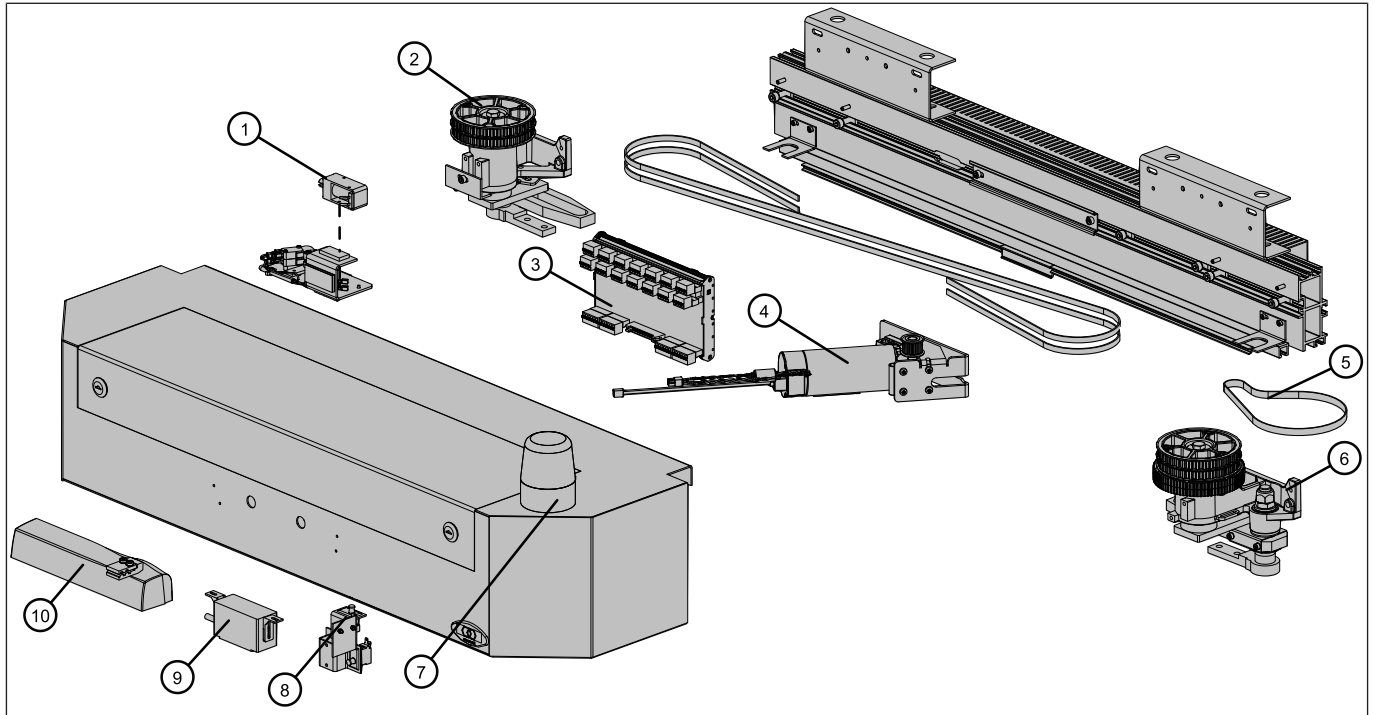
Pos.	Description	Record Art. No.	ASSA ABLOY Art. No.
1	Inner lever cpl. A<1500	102-100044000	33102-100044000
2	Output shaft cpl.	102-100042000	33102-100042000
3	Permanent magnet MO 15X6 mm	102-032120	33102-032120



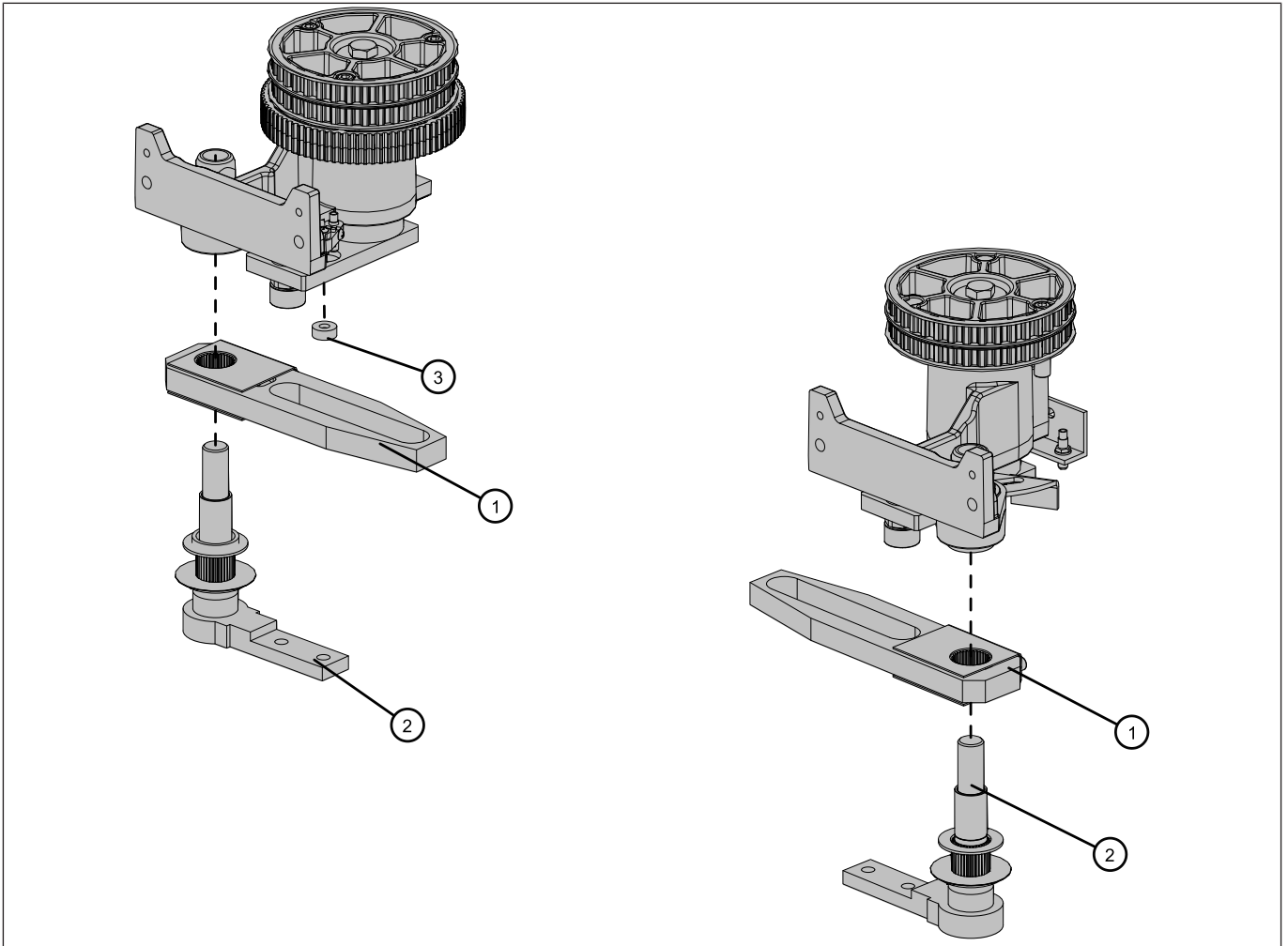
Pos.	Description	Record Art. No.	ASSA ABLOY Art. No.
1	Tension rod long, FTA A=1100-1600 mm, FlipFlow A=1100 mm	102-105001004	33102-105001004
2	Toothed drive belt Breco 8T10/M-DL	115-005900055	33115-005900055
3	Belt coupler right cpl. FlipFlow A=900 mm	102-105001000	33102-105001000
4	Tension rod medium, FTA A=800-1100 mm, FlipFlow A=900 mm	102-105001003	33102-105001003
5	Belt coupler left cpl. FlipFlow A=900-1400 mm	102-105002000	33102-105002000
6	Belt coupler left complete FlipFlow A=650 mm	102-102808003	33102-102808003
7	Tension rod short, FTA A<800 mm, FlipFlow A=650 mm	102-102108008	33102-102108008
8	Belt coupler right complete, FlipFlow A=650 mm	102-102808002	33102-102808002

2 Product versions - Till November 2023

2.3.4 Exit

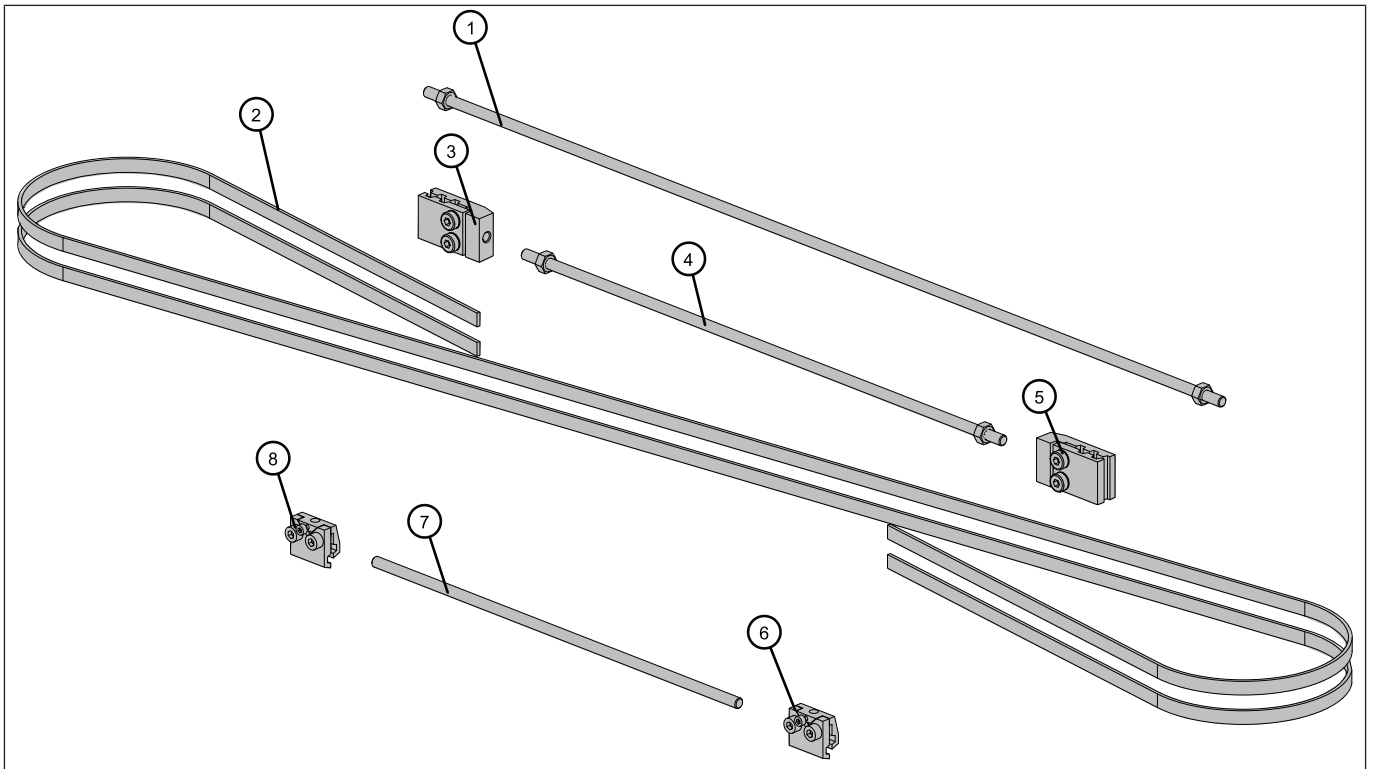


Pos.	Description	Record Art. No.	ASSA ABLOY Art. No.
1	Holding magnet, replaced by: Locking device cpl.	102-013080008	No spare part
2	Left bearing bock with arm	121-102811982	33121-102811982
3	Connexion card in and out FlipFlow (Varioface/F-SO7250)	115-005900090	33115-005900090
4	ATE FTA / FBO 63x55	102-107810186	33102-107810186
5	Gear-belt RPP Gold 535-GLD5M15	102-123809	33102-123809
6	Bearing bock Right with arm	121-102811981	33121-102811981
7	Orange flash fire	121-117354	33121-117354
8	MS 3 surveillance switch UL	121-102813464	33121-102813464
9	Beambox	121-113496	33121-113496
10	IXIO DT3 black	121-124701	33121-124701



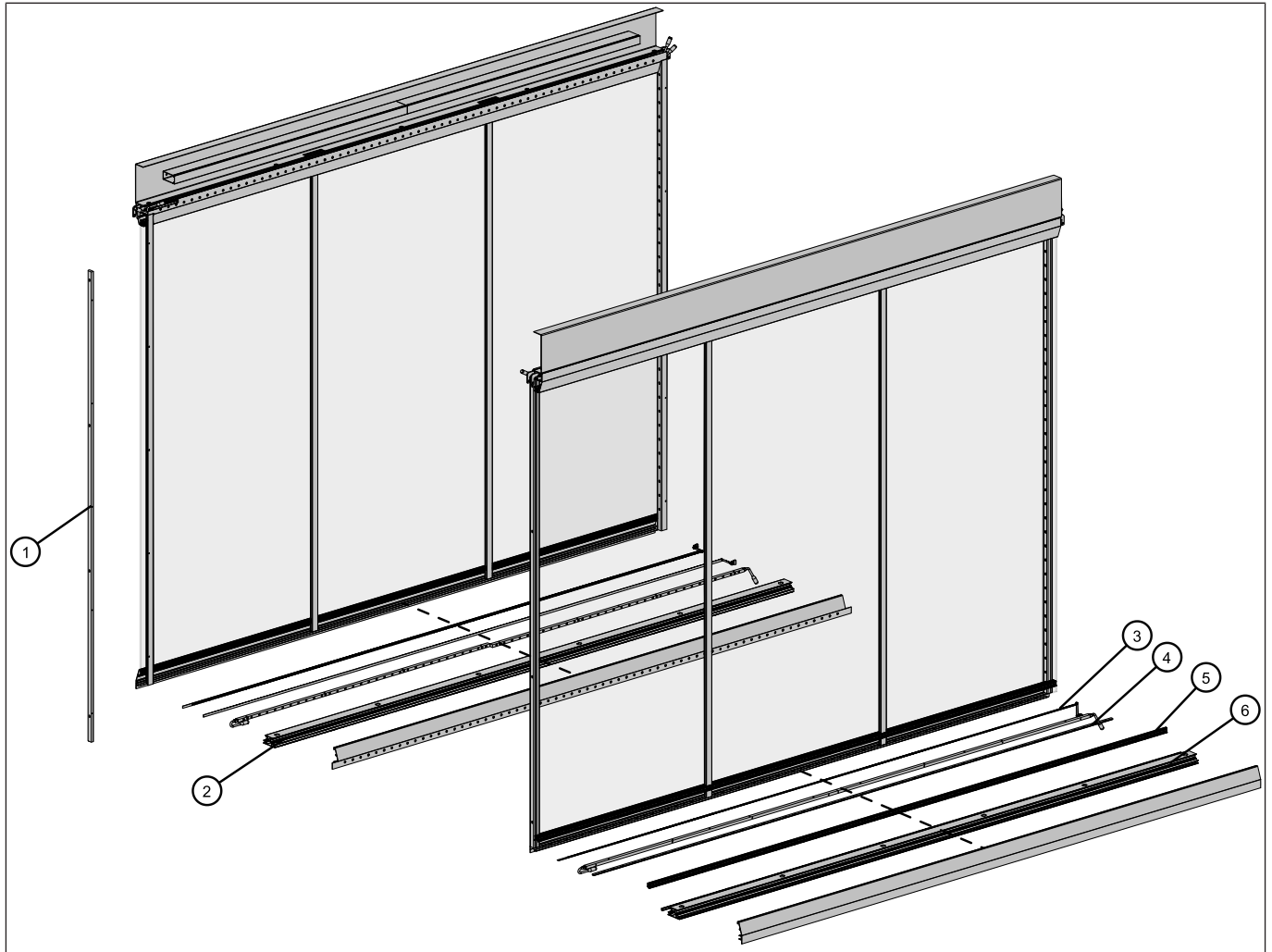
Pos.	Description	Record Art. No.	ASSA ABLOY Art. No.
1	Inner lever cpl. A<1500	102-100044000	33102-100044000
2	Output shaft cpl.	102-100042000	33102-100042000
3	Permanent magnet MO 15X6 mm	102-032120	33102-032120

2 Product versions - Till November 2023



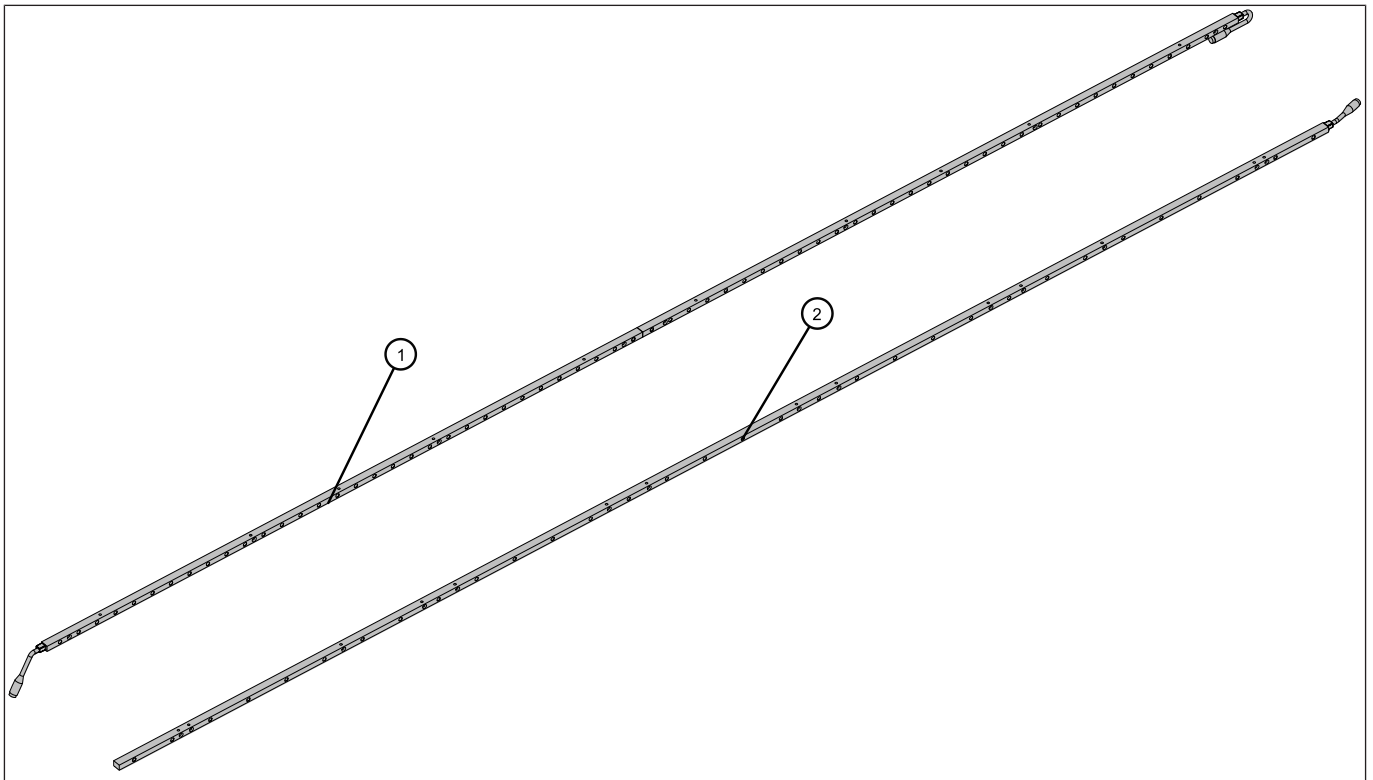
Pos.	Description	Record Art. No.	ASSA ABLOY Art. No.
1	Tension rod long, FTA A=1100-1600 mm, FlipFlow A=1100 mm	102-105001004	33102-105001004
2	Toothed drive belt Breco 8T10/M-DL	115-005900055	33115-005900055
3	Belt coupler right cpl. FlipFlow A=900 mm	102-105001000	33102-105001000
4	Tension rod medium, FTA A=800-1100 mm, FlipFlow A=900 mm	102-105001003	33102-105001003
5	Belt coupler left cpl. FlipFlow A=900-1400 mm	102-105002000	33102-105002000
6	Belt coupler left complete FlipFlow A=650 mm	102-102808003	33102-102808003
7	Tension rod short, FTA A<800 mm, FlipFlow A=650 mm	102-102108008	33102-102108008
8	Belt coupler right complete, FlipFlow A=650 mm	102-102808002	33102-102808002

2.3.5 Side panel



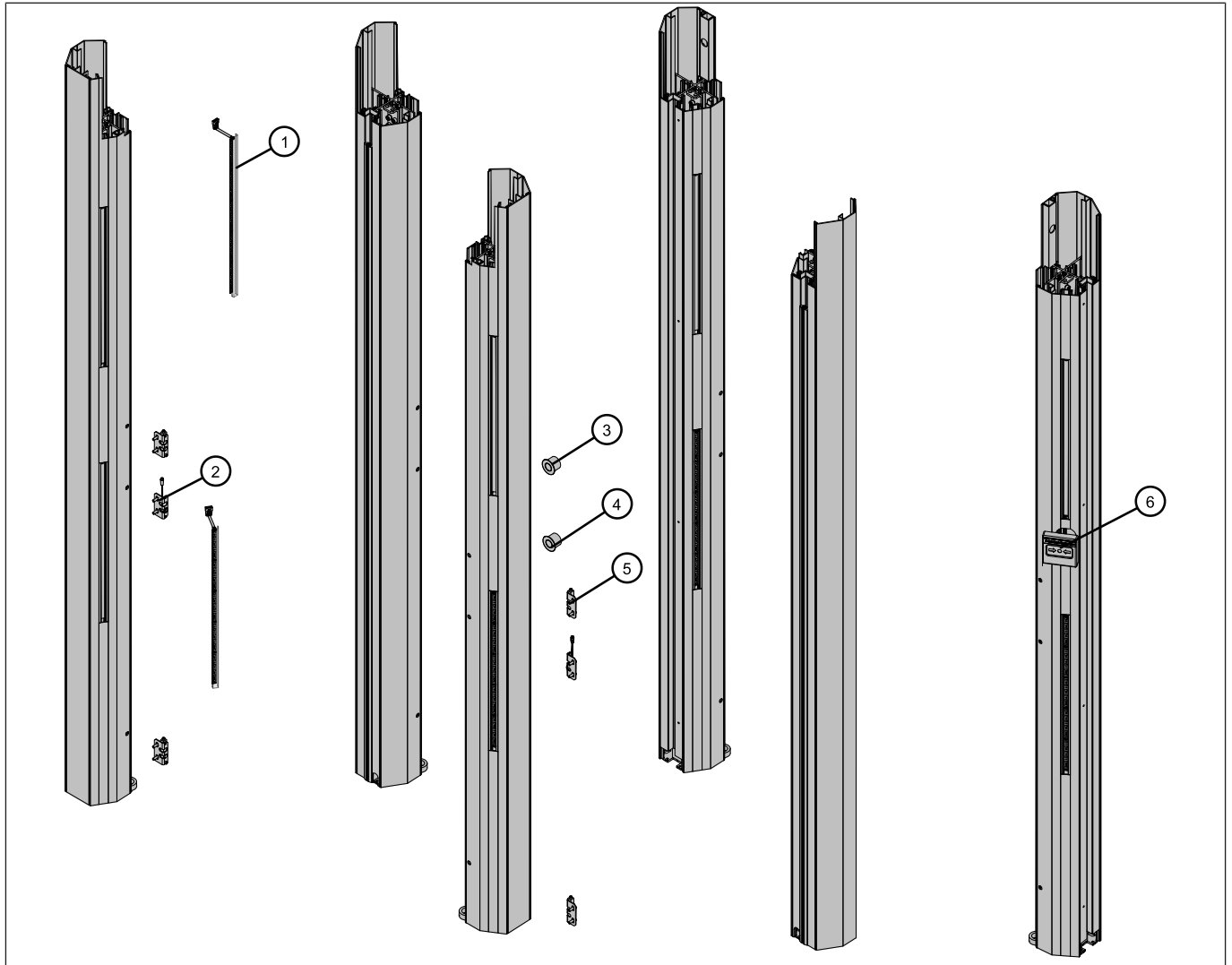
Pos.	Description	Record Art. No.	ASSA ABLOY Art. No.
1	Glass Forster gummi 9-10mm	121-102127061	33121-102127061
2	Toeboard with run light left	121-102814765	No spare part
3	LED-strip side part cpl.	121-102814764	33121-102814764
4	Cover LED run light	121-102123404	33121-102123404
5	Glass Forster gummi 5-6mm	121-005901327	33121-005901327
6	Toeboard side part	121-000123334	No spare part

2 Product versions - Till November 2023



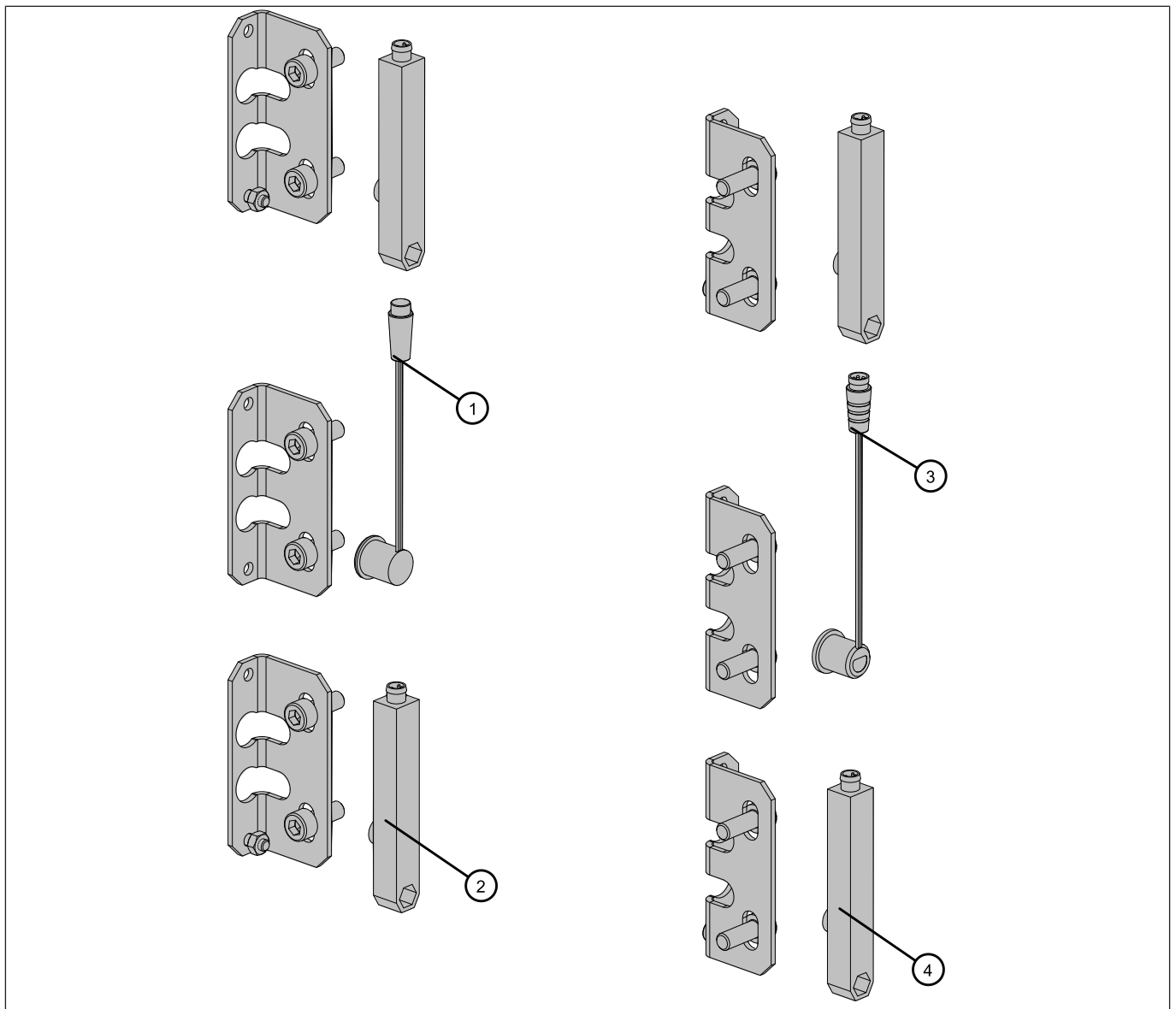
Pos.	Description	Record Art. No.	ASSA ABLOY Art. No.
1	Light barrier with cable 50 mm	121-005900167	33121-005900167
2	Light barrier CEDES >90 mm	121-005900165	33121-005900165

2.3.6 Posts



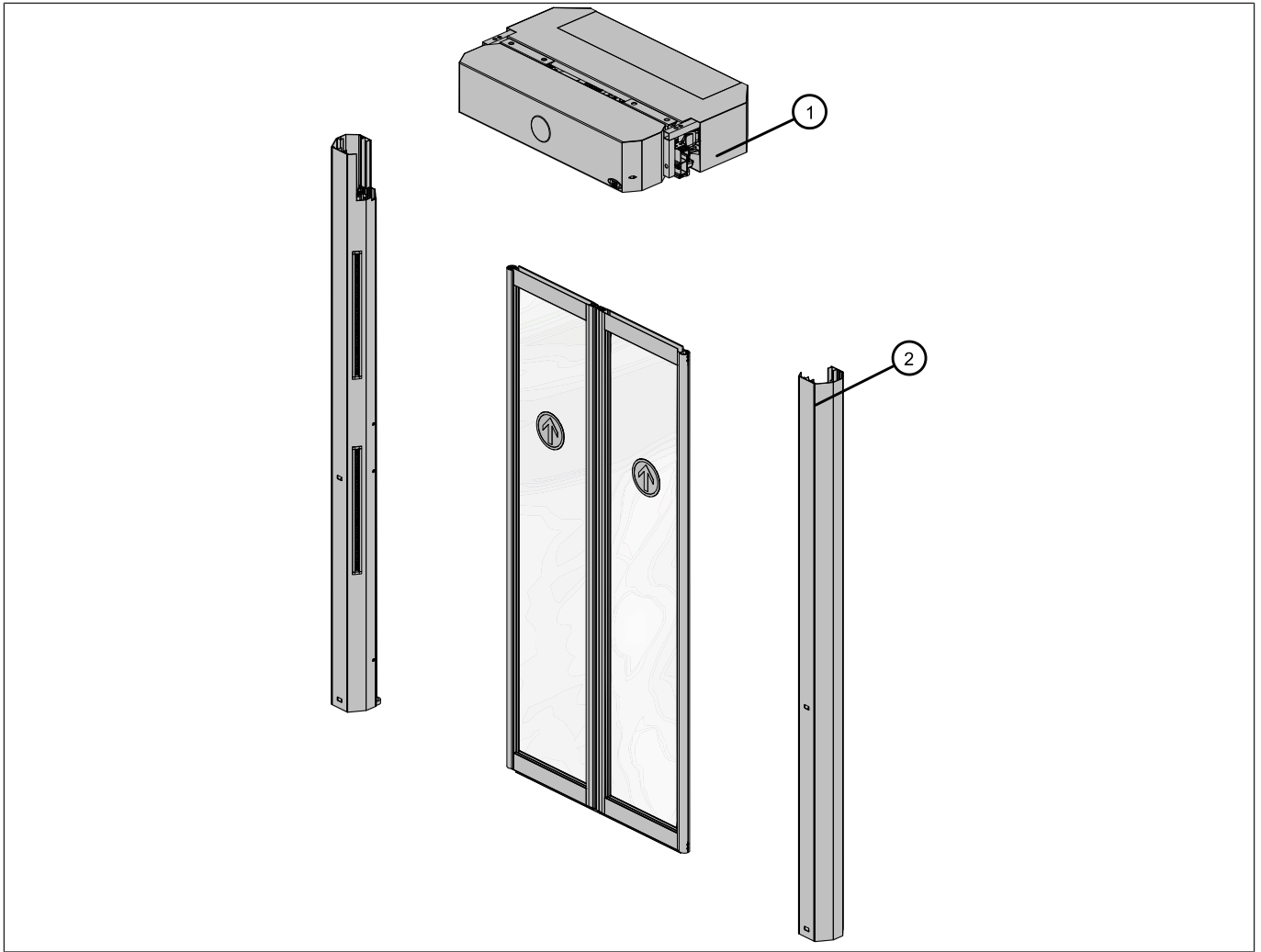
Pos.	Description	Record Art. No.	ASSA ABLOY Art. No.
1	LED-strip post complete	121-102814762	33121-102814762
2	Sensor kit post left	121-102121298	33121-102121298
3	Red led light	121-115311	33121-115311
4	Green led light	121-115312	33121-115312
5	Sensor kit post right	121-102121288	33121-102121288
6	Emergency stop button green	121-102813311	33121-102813311

2 Product versions - Till November 2023



Pos.	Description	Record Art. No.	ASSA ABLOY Art. No.
1	Light barrier receiver ELS 300	121-005900171	33121-005900171
2	ELS 260 emitter	121-000101000	33121-000101000
3	Short distance emitter Els 300 TxN	121-113844	33121-113844
4	ELS 260 receiver	121-000102000	33121-000102000

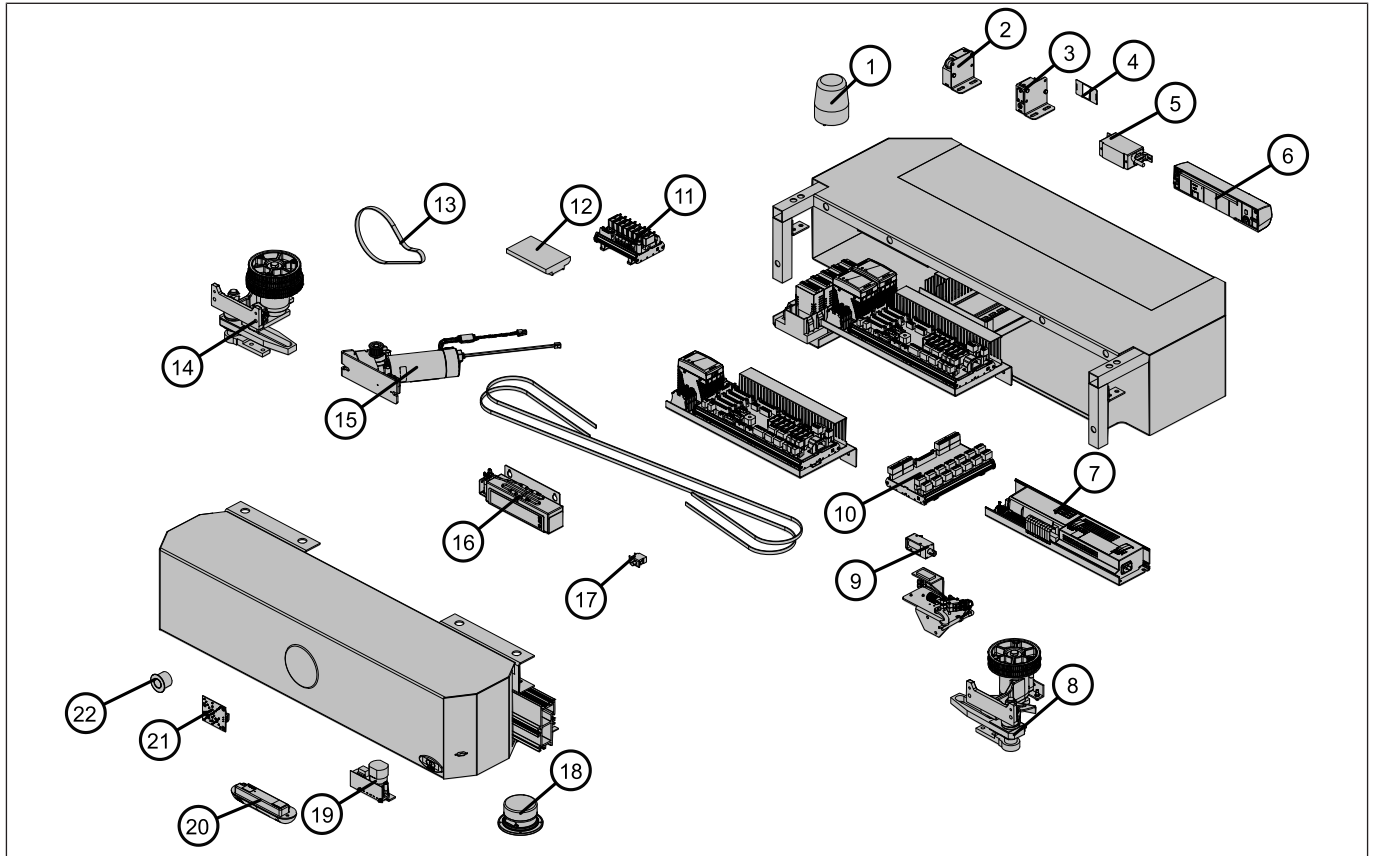
2.4 Wide



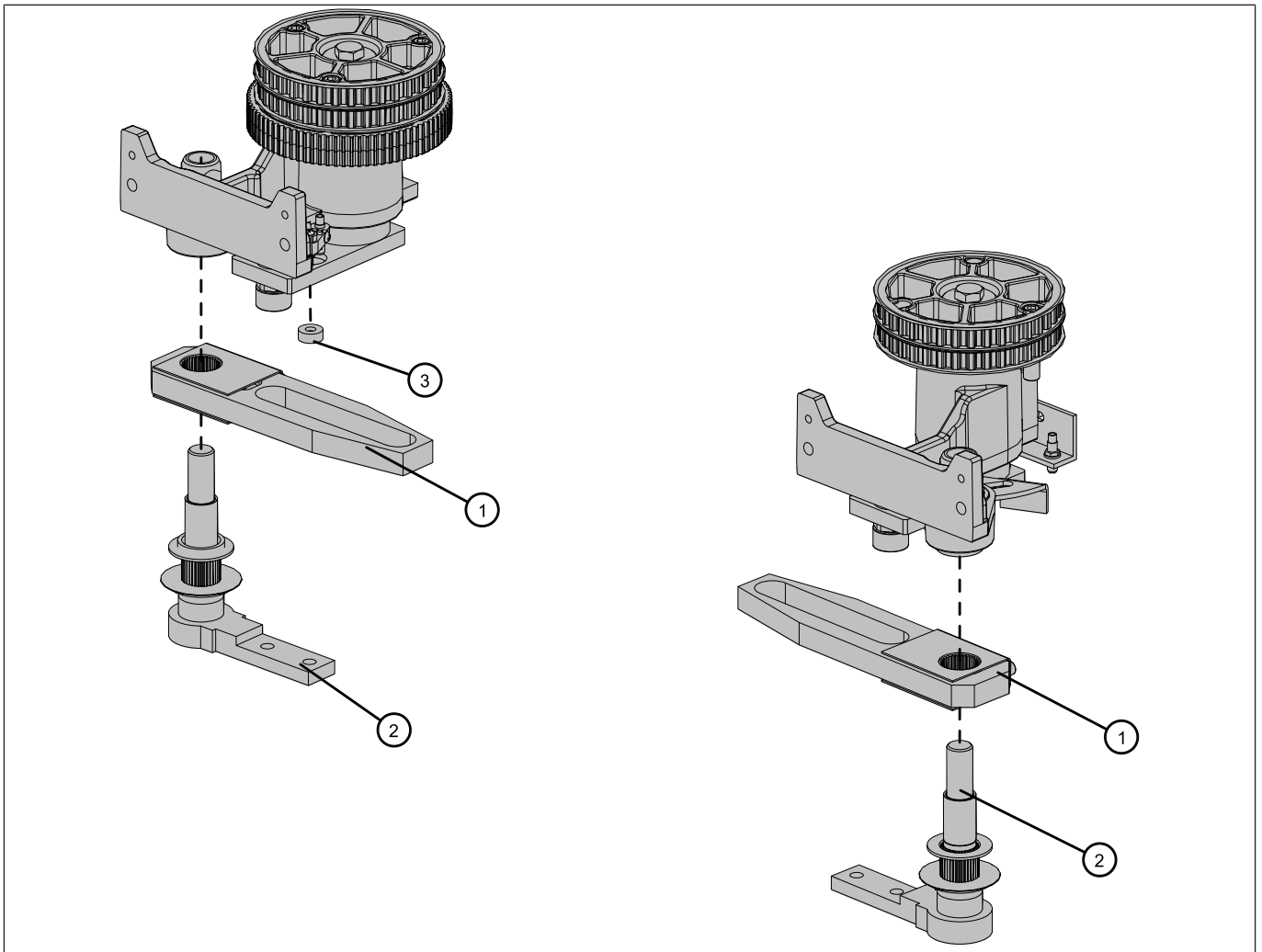
Pos.	Description	Record Art. No.	ASSA ABLOY Art. No.
1	Entrance, Exit <i>Entrance, Exit</i> [▶ 76]	-	-
2	Posts <i>Posts</i> [▶ 79]	-	-

2 Product versions - Till November 2023

2.4.1 Entrance, Exit

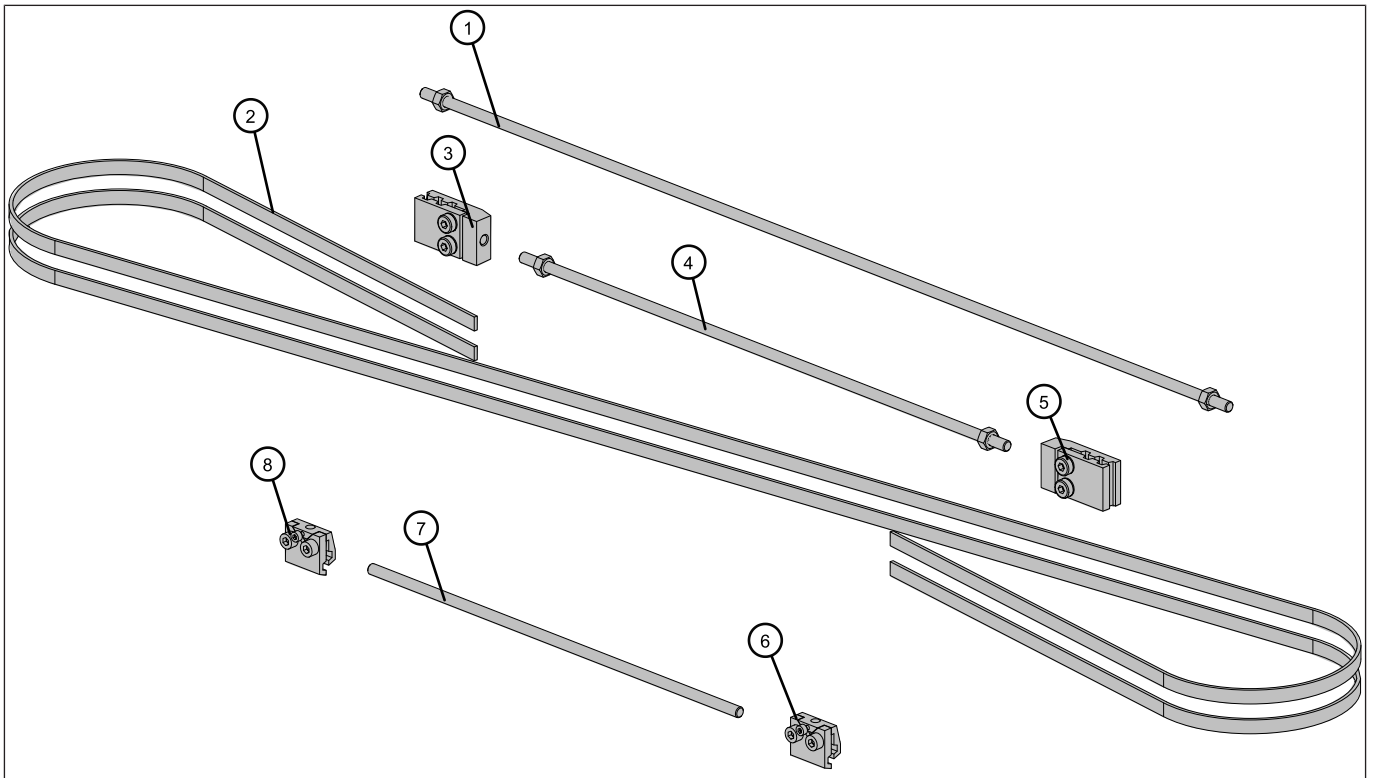


Pos.	Description	Record Art. No.	ASSA ABLOY Art. No.
1	Orange flash fire	121-117354	33121-117354
2	Kit SunX N°2-UL cpl.	121-102813411	33121-102813411
3	Kit SunX N°1-UL cpl.	121-102813407	33121-102813407
4	Beambox stickers	121-005900142	33121-005900142
5	Beambox	121-005900088	33121-005900088
6	IXIO DT3 black	121-124701	33121-124701
7	Control module STM 20	102-020808408	33102-020808408
8	Left bearing bock with arm	121-102811982	33121-102811982
9	Holding magnet, replaced by: Locking device cpl.	102-013080008 102-102808005	No spare part 33102-102808005
10	Connexion card in and out FlipFlow (Varioface/F-SO7250)	115-005900090	33115-005900090
11	FlipFlow Relay plate	121-005901178	33121-005901178
12	Extended Gate Adapter	121-005901581	33121-005901581
13	Gear-belt RPP Gold 535-GLD5M15	102-123809	33102-123809
14	Bearing bock Right with arm	121-102811981	33121-102811981
15	ATE FTA / FBO 63x55	102-107810186	33102-107810186
16	Lead-acid battery cpl.	121-000808036	33121-000808036
17	Roof panel sensor	121-118827	33121-118827
18	Speaker	121-118585	33121-118585
19	BDES 5 point	121-005900707	33121-005900707
20	RAD 290 GK	102-290808841	33102-290808841
21	PCB assembly Pict FlipFlow	102-102507000	33102-102507000
22	Red led light	121-115311	33121-115311



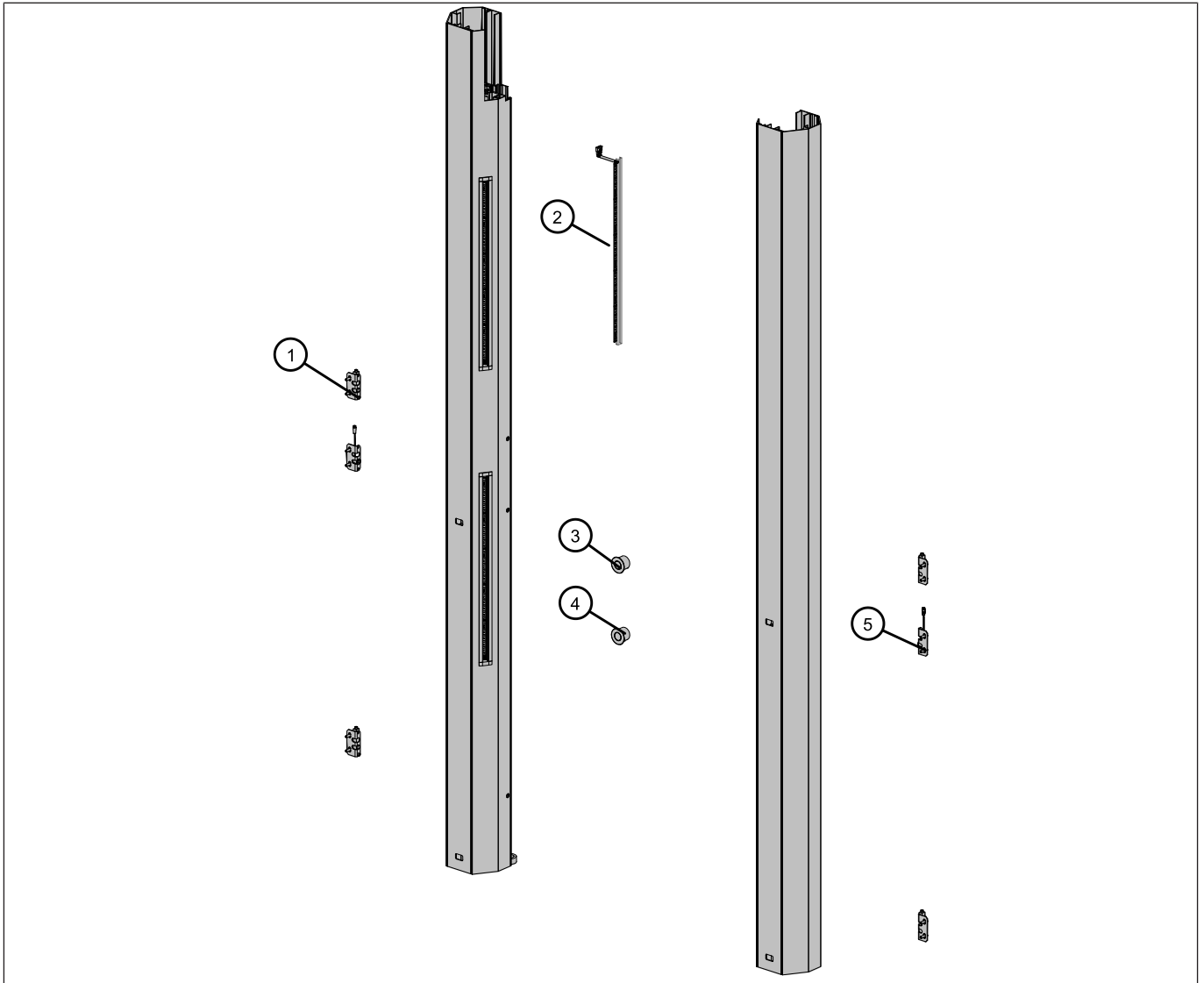
Pos.	Description	Record Art. No.	ASSA ABLOY Art. No.
1	Inner lever cpl. A<1500	102-100044000	33102-100044000
2	Output shaft cpl.	102-100042000	33102-100042000
3	Permanent magnet MO 15X6 mm	102-032120	33102-032120

2 Product versions - Till November 2023



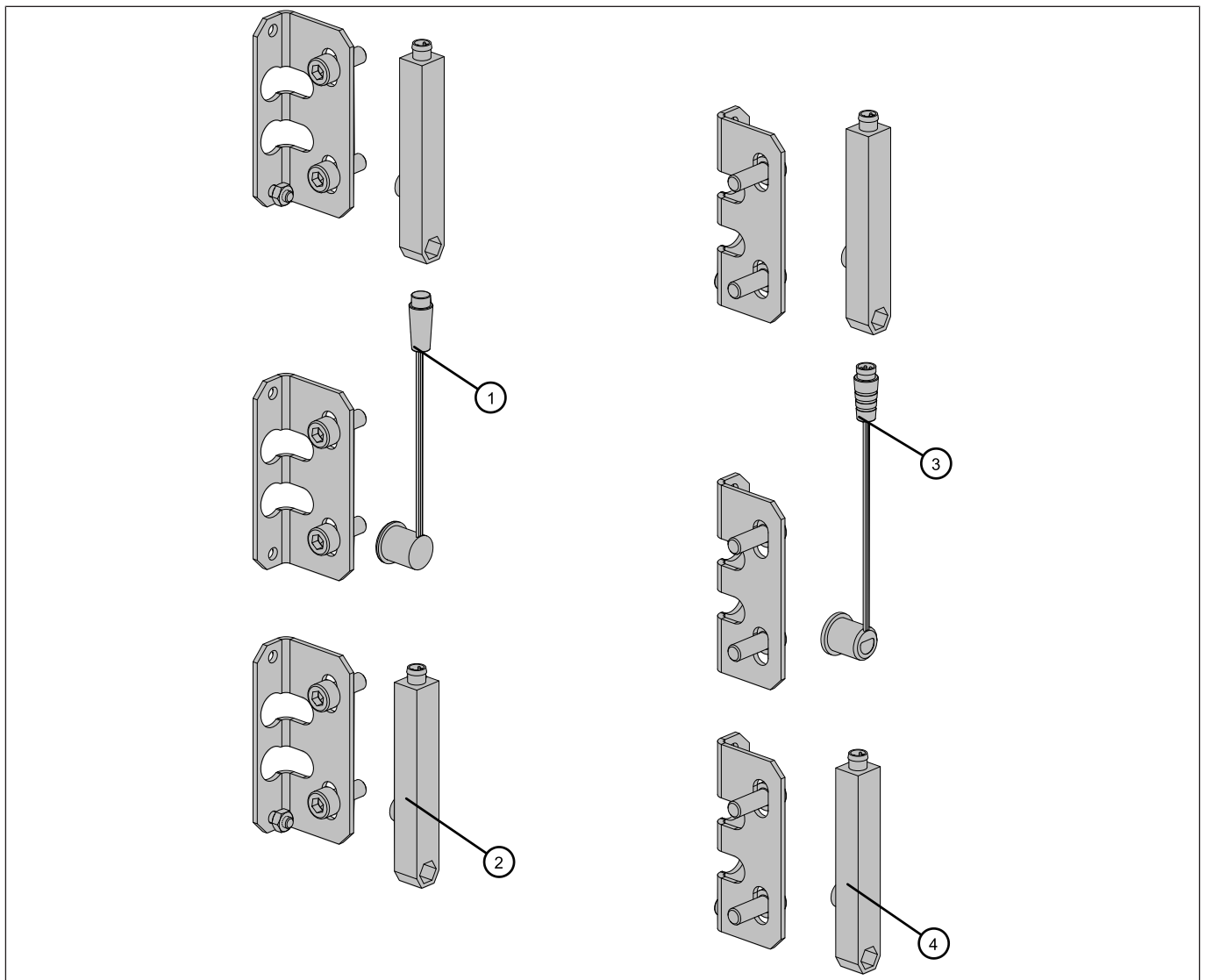
Pos.	Description	Record Art. No.	ASSA ABLOY Art. No.
1	Tension rod long, FTA A=1100-1600 mm, FlipFlow A=1100 mm	102-105001004	33102-105001004
2	Toothed drive belt Breco 8T10/M-DL	115-005900055	33115-005900055
3	Belt coupler right cpl. FlipFlow A=900 mm	102-105001000	33102-105001000
4	Tension rod medium, FTA A=800-1100 mm, FlipFlow A=900 mm	102-105001003	33102-105001003
5	Belt coupler left cpl. FlipFlow A=900-1400 mm	102-105002000	33102-105002000
6	Belt coupler left complete FlipFlow A=650 mm	102-102808003	33102-102808003
7	Tension rod short, FTA A<800 mm, FlipFlow A=650 mm	102-102108008	33102-102108008
8	Belt coupler right complete, FlipFlow A=650 mm	102-102808002	33102-102808002

2.4.2 Posts



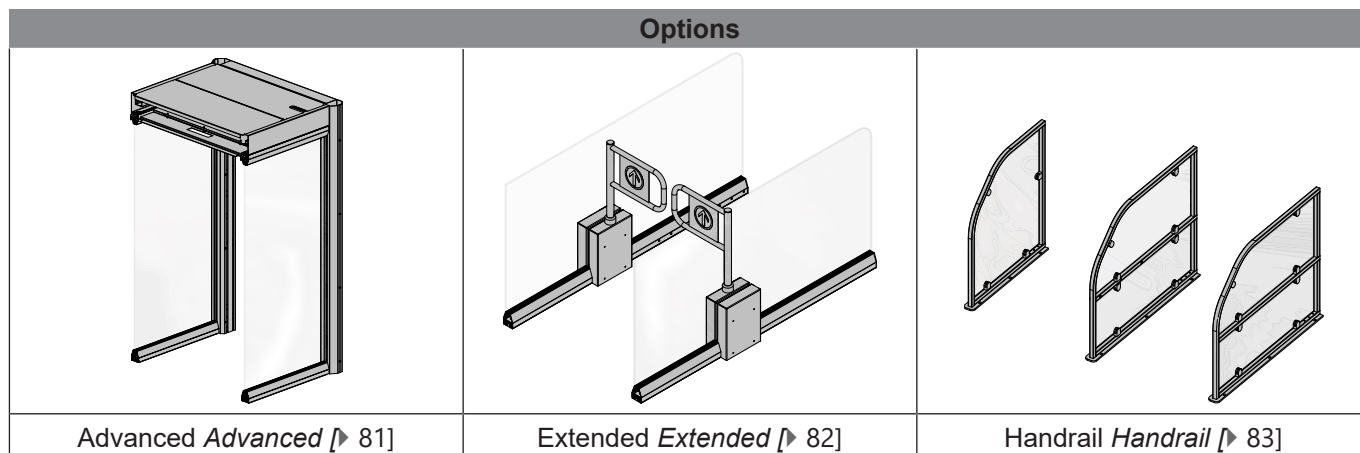
Pos.	Description	Record Art. No.	ASSA ABLOY Art. No.
1	Sensor kit post left	121-102121298	33121-102121298
2	LED-strip post complete	121-102814762	33121-102814762
3	Red led light	121-115311	33121-115311
4	Green led light	121-115312	33121-115312
5	Sensor kit post right	121-102121288	33121-102121288

2 Product versions - Till November 2023

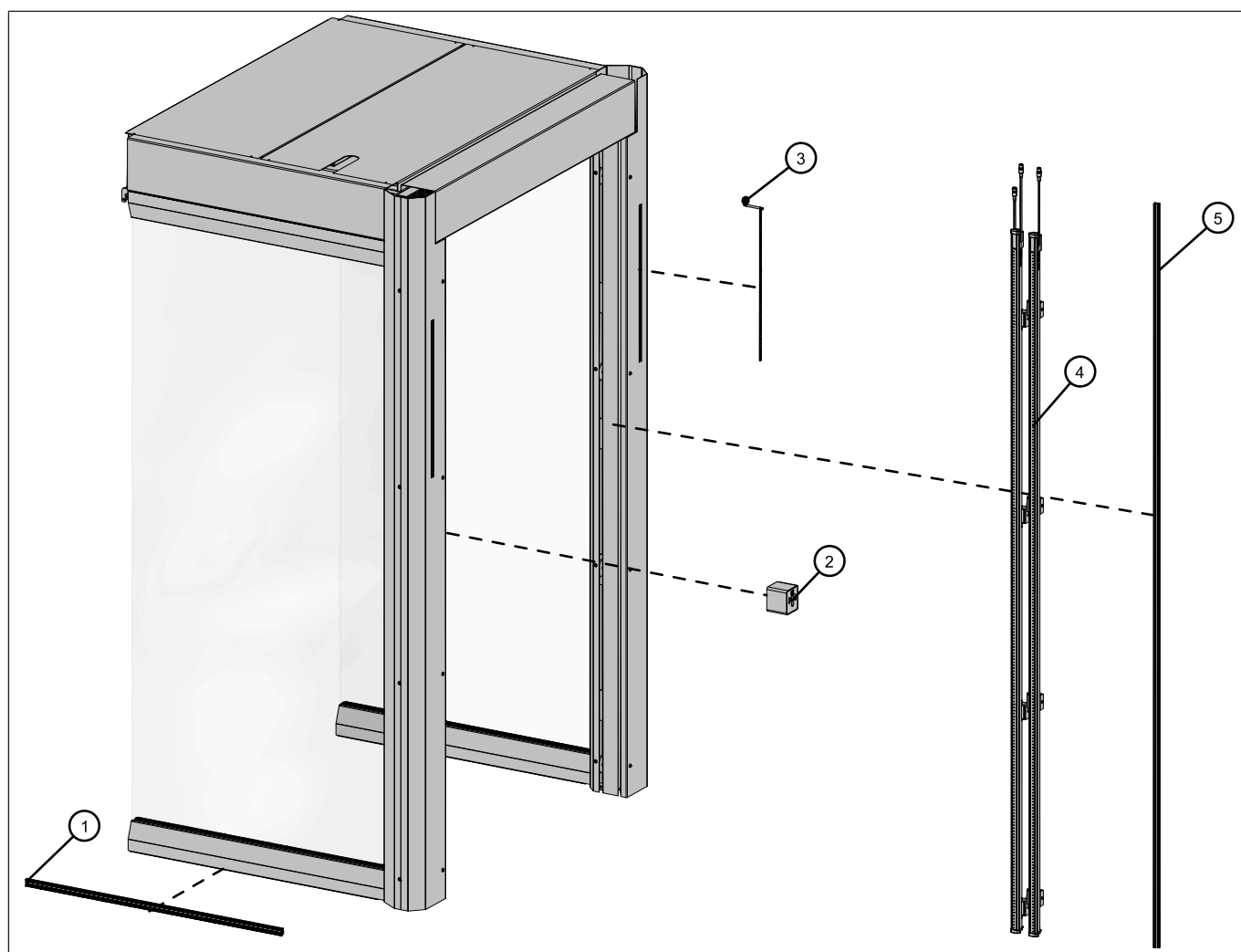


Pos.	Description	Record Art. No.	ASSA ABLOY Art. No.
1	Light barrier receiver ELS 300	121-005900171	33121-005900171
2	ELS 260 emitter	121-000101000	33121-000101000
3	Short distance emitter Els 300 TxN	121-113844	33121-113844
4	ELS 260 receiver	121-000102000	33121-000102000

3 Options



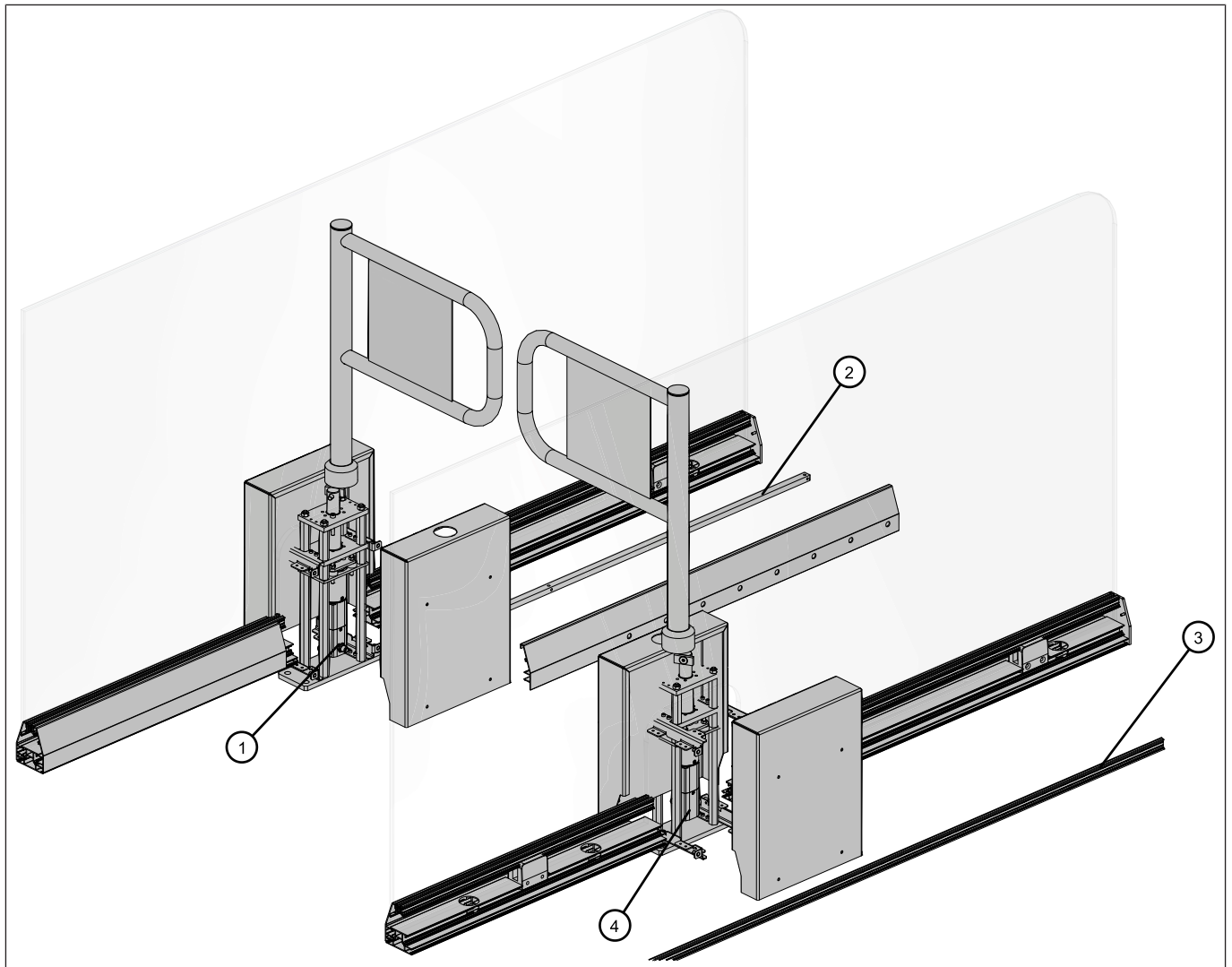
3.1 Advanced



Pos.	Description	Record Art. No.	ASSA ABLOY Art. No.
1	Glass Forster gummi 5-6mm	121-005901327	33121-005901327
2	Cleaning key cpl.	121-102814808	33121-102814808
3	Led strip 500mm - 24V, replaced by:	121-102815329	No spare part
	LED-strip post cpl.	121-102814762	33121-102814762
4	Light curtains (Throw in detection)	Customised	Customised
5	Glass Forster gummi 9-10mm	121-102127061	33121-102127061

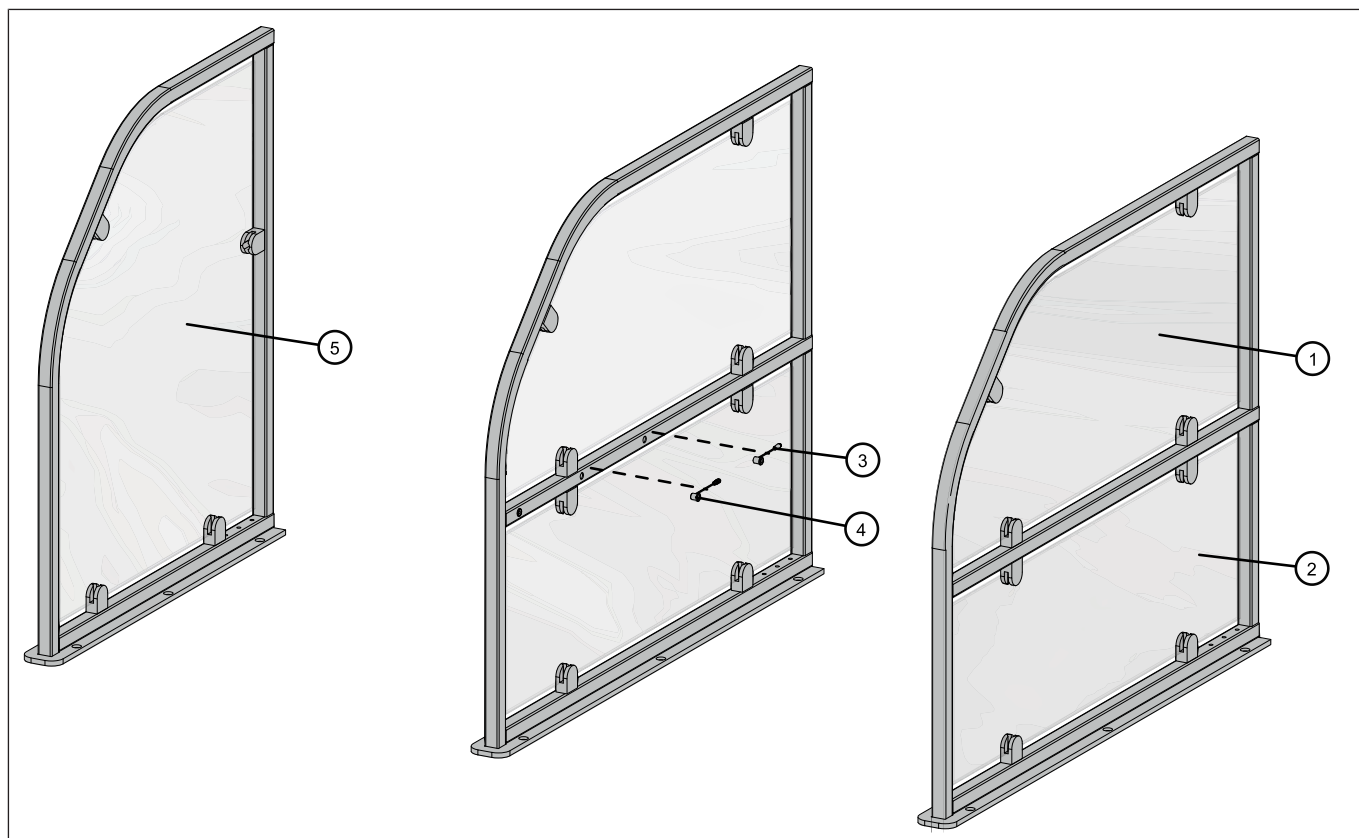
3 Options

3.2 Extended



Pos.	Description	Record Art. No.	ASSA ABLOY Art. No.
1	Extended drive unit right cpl	121-000811185	33121-000811185
2	Extended gates light curtain micro MF	121-007610122	33121-007610122
3	Glass Forster gummi 5-6mm	121-005901327	33121-005901327
4	Extended drive unit left cpl	121-102816420	33121-102816420

3.3 Handrail



Pos.	Description	Record Art. No.	ASSA ABLOY Art. No.
1	Top glass hand rail exit	121-005900622	33121-005900622
2	Under glass hand rail exit	121-005900623	33121-005900623
3	Light barrier receiver ELS 300	121-005900171	33121-005900171
4	Short distance emitter ELS 300 TxN	121-113844	33121-113844
5	Entry railing glass	121-005900616	33121-005900616



Your global partner for entrance solutions