

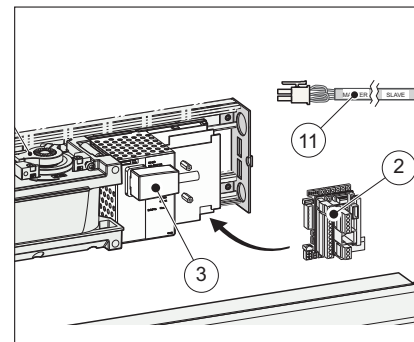
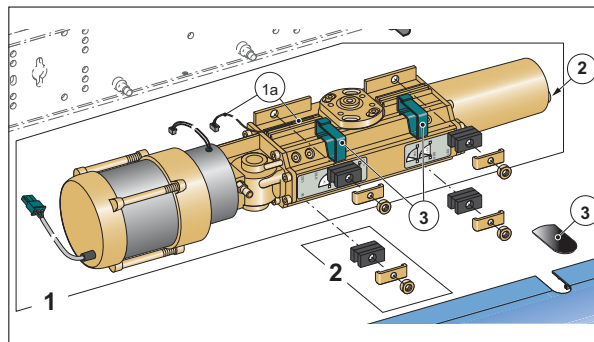
Spare Parts Manual

Swinger Door Operator

ASSA ABLOY Swinger

ASSA ABLOY
Entrance Systems

Experience a safer
and more open world



ASSA ABLOY as word and logo are trademarks owned by the ASSA ABLOY Group

© ASSA ABLOY Entrance Systems, 2021

Technical data subject to change without notice.

Backtrack information: folder:Workspace Main, version:a651, Date:2021-04-01 time:07:24:48, state: Frozen

CONTENTS - Original instructions

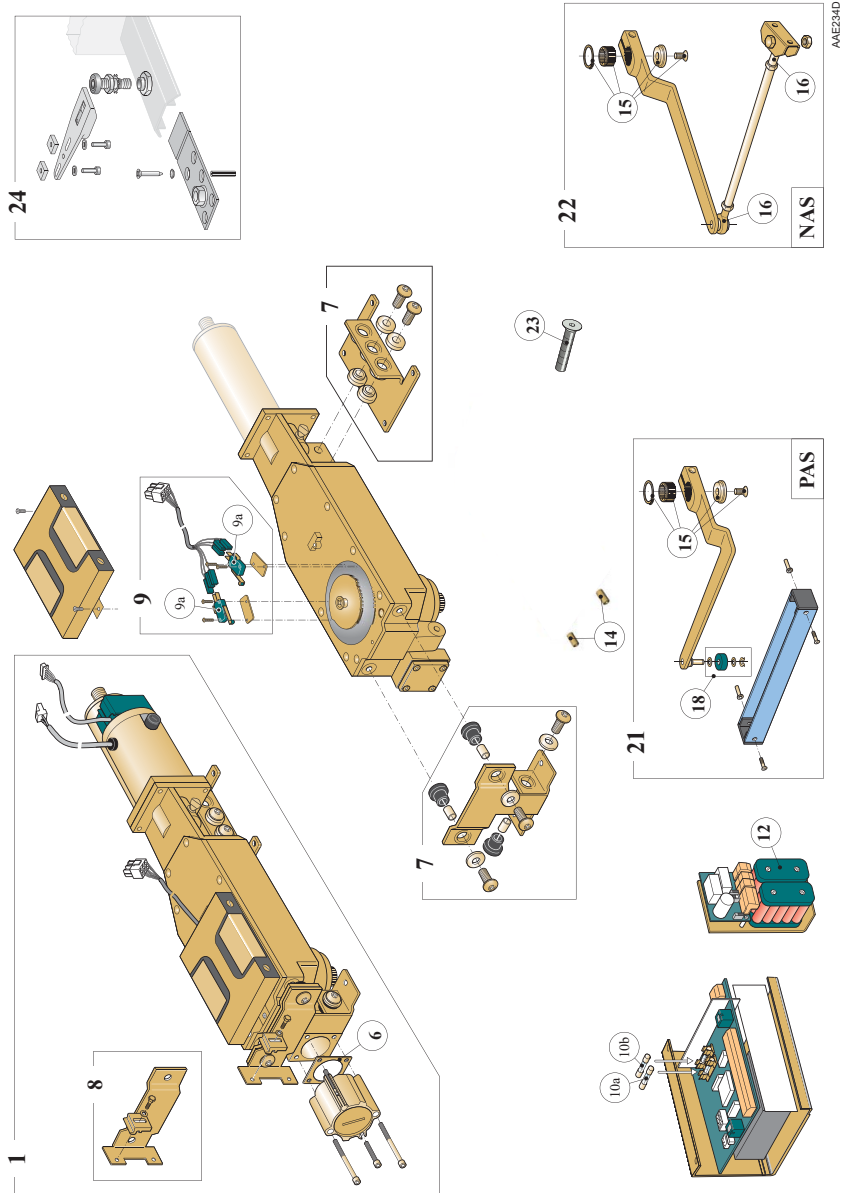
1	Revision	5
2	Swing Door Operator, IK-A/IKS-A	6
3	Swing Door Operator, OPB/OPB-A	8
4	Swing Door Operator, PowerSwing	10
4.1	PowerSwing EU PUSH	12
5	Swing Door Operator, SW100	14
5.1	SW100 EU PUSH	16
6	Swing Door Operator, SW200	17
6.1	SW200 EU PUSH	19
7	Swing Door Operator, SW300/SW150	21
7.1	SW300 EU PUSH	23
8	Swing Door Operator, SW60 (For NA market only)	25
9	Balance Door Systems, SW1000B	27
10	Manual Swing Door, left and right	29
11	Header with transom closer	31
12	Arm System (old version)	32
13	Arm System	33
14	Swing Door Modernization & Upgrade Kits	35
15	General spare parts for Swing Doors	37
16	Activation Units, IFD (VP)	38
17	Spare Parts for Activation Units	39
17.1	Manual Activation Units	39
17.2	Automatic Activation Units	41
17.3	Presence Detection Units	43
17.4	Accessories for Activation Units	45
18	Programme Selectors	47
19	General Tools and Labels	48
20	Door closer	49
21	Competitor products	50
22	Record products	51

1 Revision

Following pages have been revised:

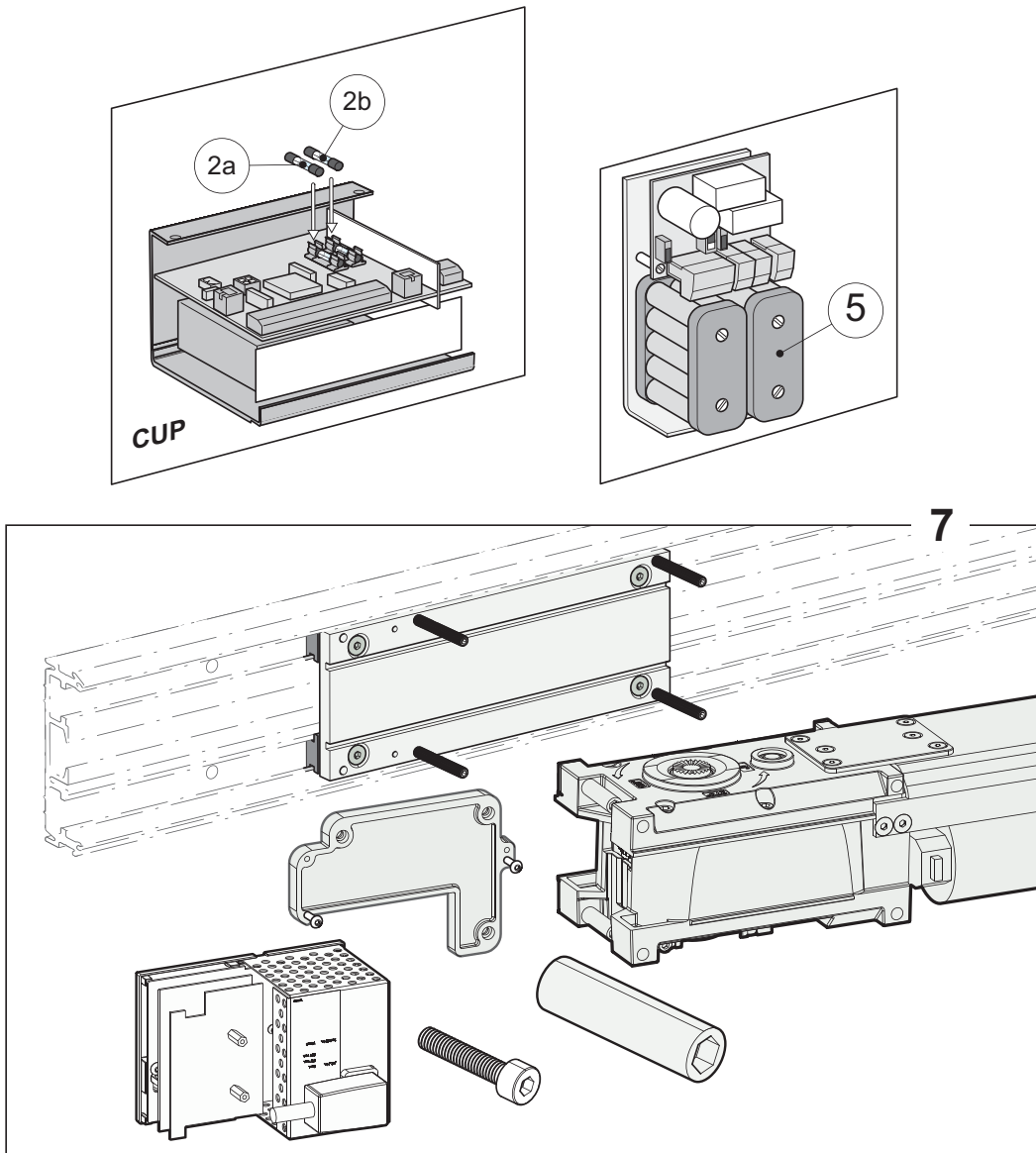
Page	Revision 18.0 → 19.0
51	Added new chapter.

2 Swing Door Operator, IK-A/IKS-A



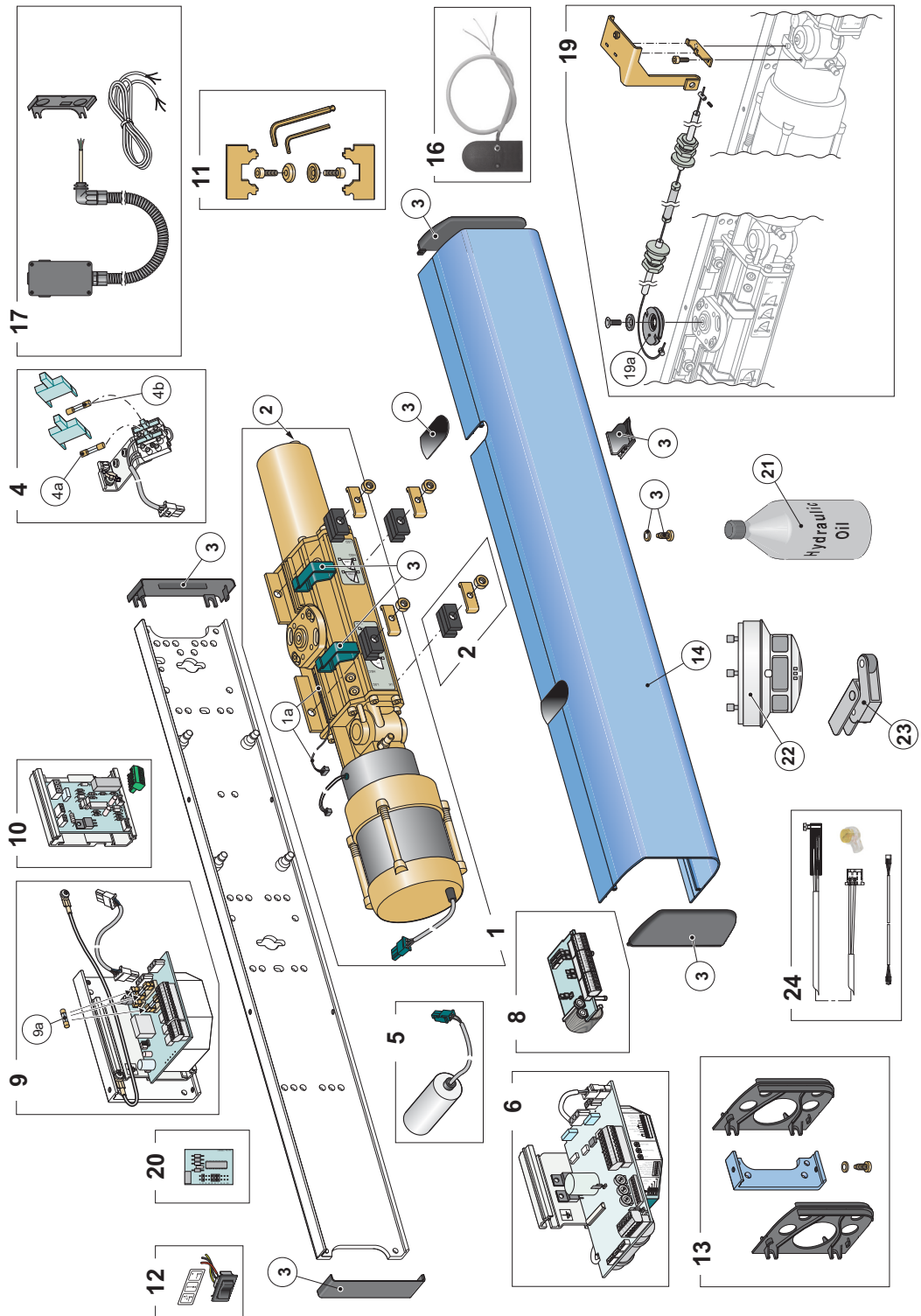
Pos.	Art. No.	Replaces	Description
1	33100092		Drive unit complete, IK-A
	33100106	100106	Drive unit complete, IKS-A
5	33545219	545219	Rotary shaft seal
7	33173724	173724	Stabilizing kit
8	33173725	173725	Stabilizing kit
9	33655638	655638	Micro switch harness, complete
9a	33709091	709091	Micro switch 10 A/250 V, long arm, 1 pc
10a	33713586	713586	Fuse 2,0 AT slow, 230 V
10b	33713983	713983	Fuse 10,0 AT slow, 230 V
12	33654745	654745	Battery NiCd, 1x12 V 0,6 Ah, EUE. Will be end consumed
13	33173614	173614	Drive arm (top bar) 35 mm IK/IK-A
	33546892	546892	Drive arm (top bar) 22 mm IK/IK-A
14	33545354	545354	Screw for arm, 7/16-20x3/4", black
15	33202783	202783	Adaptor, arm system to operator
16	33545011	545011	Arm joint
18	33173726	173726	Roller set for PAS arm system
20	33549231	549231	Shaft Extension IK-A/IKS-A
21	33545024	545024	PAS-L pulling arm system complete, silver
	33545033	545033	PAS-R pulling arm system complete, silver
22	33545006	545006	NAS pushing arm system complete, silver
23	33724258	724258	Screw UNF 3/8"x2"
24	33832227	832227	Bottom pivot

3 Swing Door Operator, OPB/OPB-A



Pos.	Art. No.	Replaces	Description
2a	33713586	713586	Fuse 2,0 AT slow, 230 V
	33713561	713561	Fuse 5,0 AT slow, 230 V
2b	33713983	713983	Fuse 10,0 AT slow, 230 V
5	33654745	654745	Battery NiCd, 1x12 V 0,6 Ah
7	330000224		UniFit SW100 kit EU

4 Swing Door Operator, PowerSwing

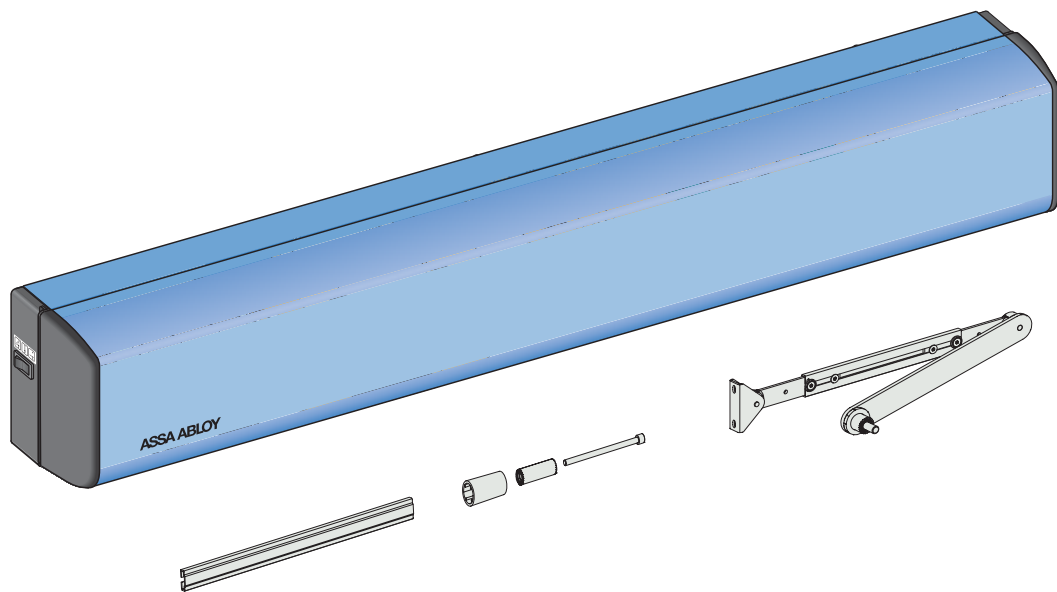


Pos.	Art. No.	Replaces	Description
1	33173720	173720	Hydraulic unit PowerSwing PUSH 230 V AC, complete
	33701683		Hydraulic unit PowerSwing PULL 230 V AC, complete
1a	33655614	655833	Limit switch, for PowerSwing
	331004205		Limit switch, L = 2000 mm for slave unit
2	331003882	173781	Vibration absorbers at hydraulic unit and magnetic oil plug
3	33173710	173710*)	Mounting kit, for PowerSwing cover
	33173818	173727	Cover set
4	33655486	655486	Mains connection harness, 230 V AC
4a	33713115	713115	Fuse 250 mA T slow, 120/230 V AC
	714254		Fuse 0.5 AT slow, 120 V AC
4b	33715307	715307	Fuse 6.3 ATH slow, 230 V AC
	715236		Fuse 10 ATH slow, 120 V AC
5	33655599	655599	Capacitor (6 µF) 230 V AC, complete
6	331004115		Control unit CSDB, 230 V AC
8	331004116		Extension unit EXB
9	33600081	600081	Control unit CSDA-F, 230 V AC
9a	713115		Fuse 250 mA T slow, 120/230 V AC
10	600089		Slave control unit CSDA-S
11	33173719	173719	Tool kit, to change rotation direction, for PowerSwing
12	33600080	600080	Programme selector, PS-3A for CSDA
	331004117	1004117	Programme selector, PS-3B for CSDB
13	33173679	173679	Mounting kit, for middle cover piece of PowerSwing
14	33173745	173745SI	Cover, CL=716, state surface treatment
	33100135	100135SI	Cover, state CL, R and/or S and surface treatment
	33100105		Middle piece, state total CL and surface treatment min. 1409 max. 3200 mm
	33100104		End piece, state total CL and surface treatment min. 750 max. 1600 mm
16	33600090	600090	Restore alarm button
17	33100131		Door mounting kit **)
19	33100091	100091	Coordination unit COOA (PowerSwing)
19a	33173305	173305	Rope wheel complete
20	331000801		Opening delay board
21	33732039	732039	Hydraulic oil, 1 litre
22	33738794		Smoke detector ORS 142
23	33173400	173400	Follower roller used with COOA
24	330000277		PowerSwing E, Cable kit
25	330000673		PWS service kit, incl. item 1a, 2 and 5

*) 173743, 173744

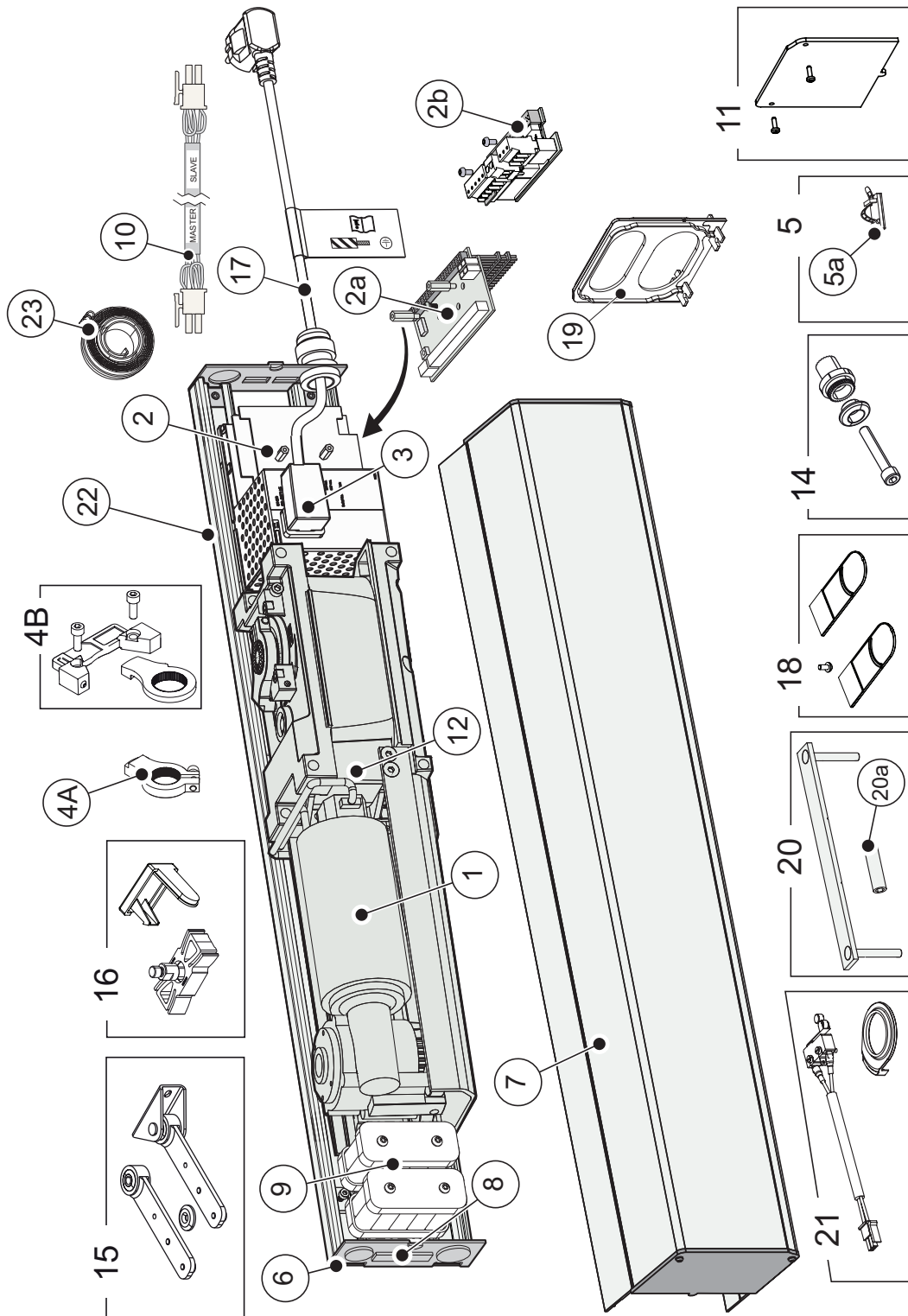
**) DIN incl. flexible cable hose, wall box ext. and DIN plate.

4.1 PowerSwing EU PUSH



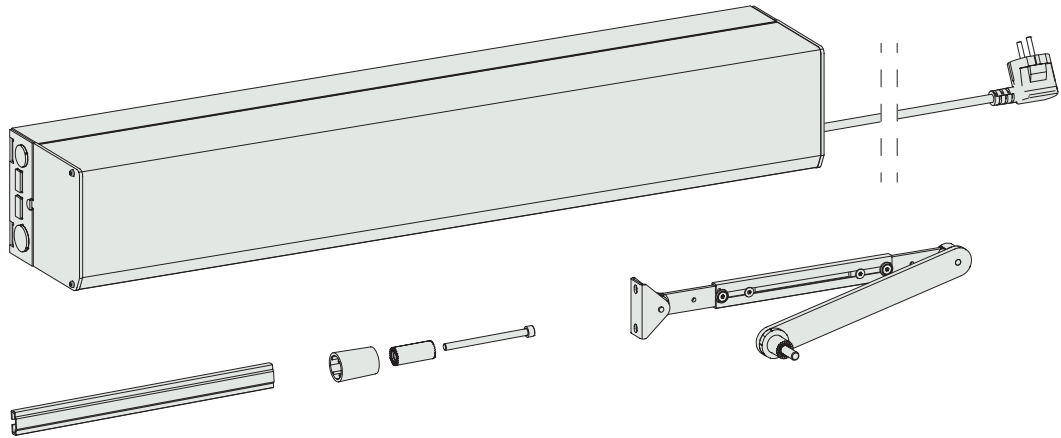
Pos.	Art. No.	Description
1	33100117BK	PowerSwing EU PUSH package
	33100117SI	PowerSwing EU PUSH package

5 Swing Door Operator, SW100



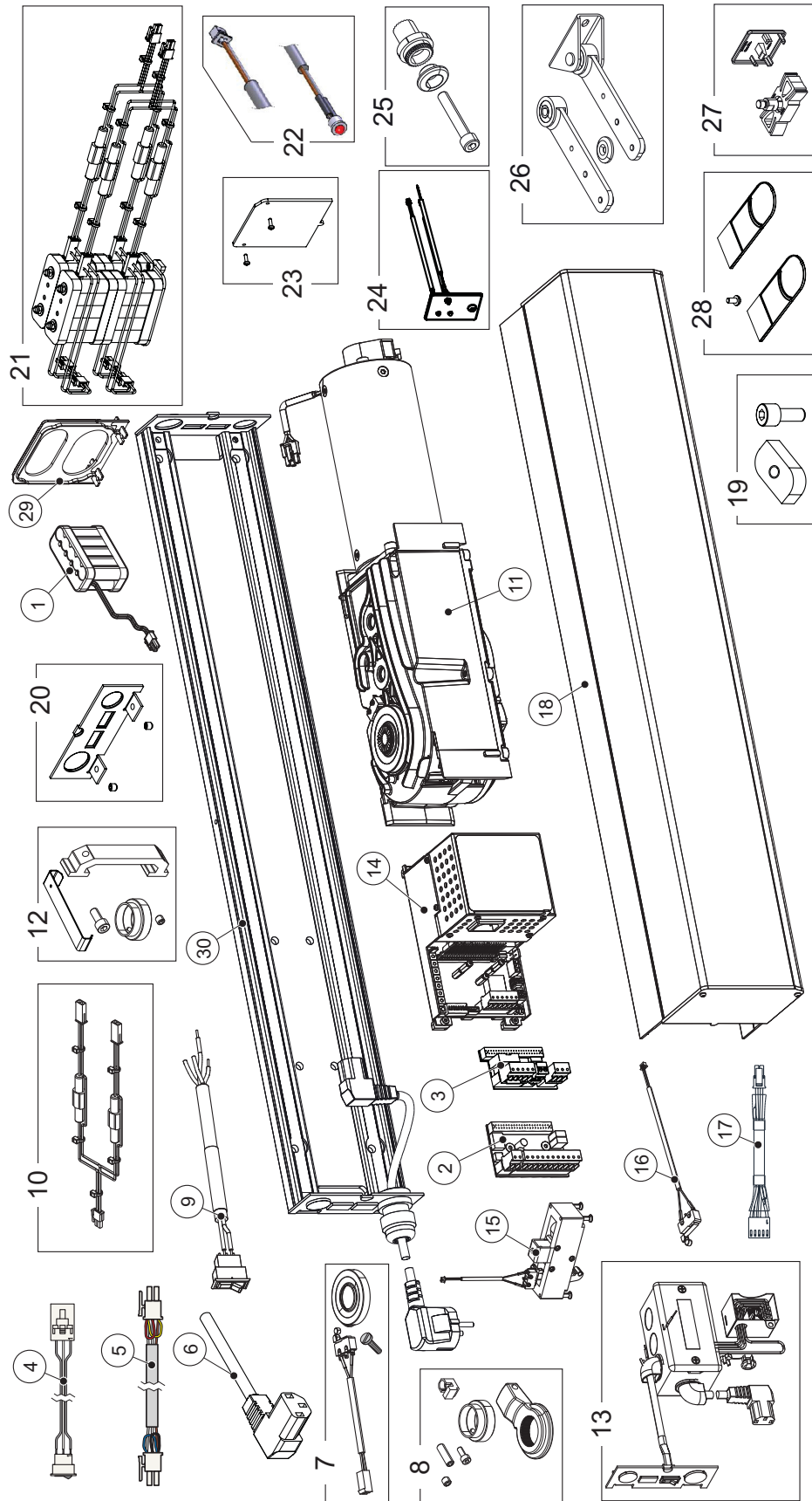
Pos.	Art. No.	Description
1	331003498	Transmission unit
2	331003532	Control unit CU-ESD
2a	331003554	EXU-SI (Kit to extend the security functions)
2b	331003557	EXU-SA (Kit to extend the safety functions)
3	331700607	Mains contact
4A	330000230	Door stop. Transmission unit until w.1952.
4B	331019378	Stop arm kit. Transmission unit from w.1952.
5	331011797	Mounting kit
5a	331003578	Cable holder* (50 pcs)
6	331003543BK	Bottom end plate SW100/SW200
	331003543SI	Bottom end plate SW100/SW200
7	331009683	Cover Length CL=716mm, state high energy performance level and surface treatment
	331009934	State cover length CL, R and/or S, high energy performance level and surface treatment
8	331003582	On/Off/Hold open switch
9	331003567	Battery backup unit SW100 (EU)
	1004437	Connection box (US)
10	331003583	Sync cable
11	331008749BK	Top end plate SW100/SW200
	331008749SI	Top end plate SW100/SW200
12	330000233	Encoder cable
14	330000270BK	Adaptor kit
	330000270SI	Adaptor kit
15	330000271BK	Push arm service kit
	330000271SI	Push arm service kit
16	330000335BK	Pull arm service kit (EU)
	330000335SI	Pull arm service kit (EU)
	330000272BK	Pull arm service kit (US)
	330000272SI	Pull arm service kit (US)
17	1006340	Cable kit (EU)
18	331009513BK	Fill cover kit
	331009513SI	Fill cover kit
19	331015578BK	Middle cap (2 pcs)
	331015578SI	Middle cap (2 pcs)
20	331006504	Fixing kit transmission unit
20a	331003507	Allenkey head nut
21	331019159	Microswitch kit
22	331012753	Backplate
23	331003508	Clock spring

5.1 SW100 EU PUSH



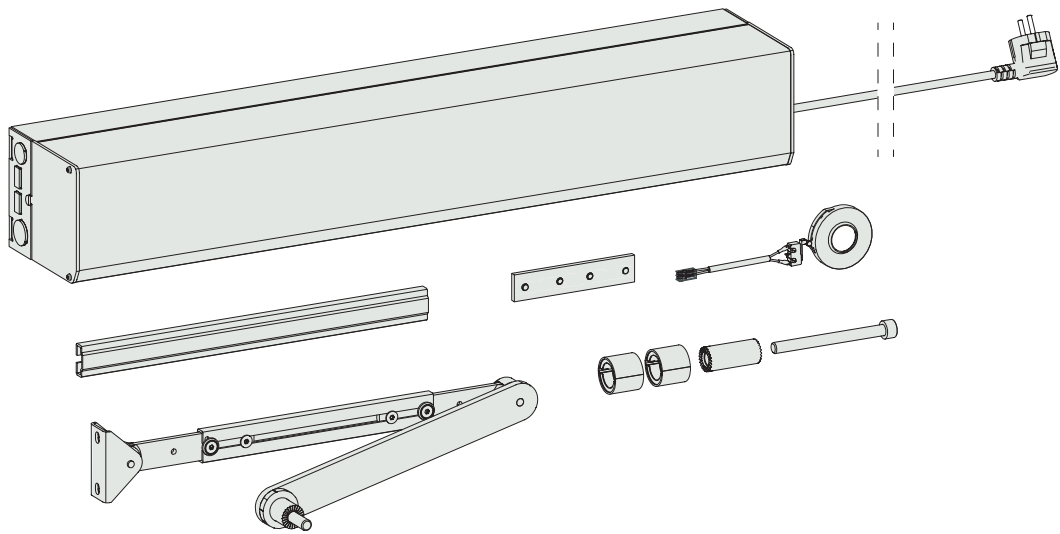
Pos.	Art. No.	Description
1	331005675BK	SW100 EU PUSH package
	331005675SI	SW100 EU PUSH package

6 Swing Door Operator, SW200



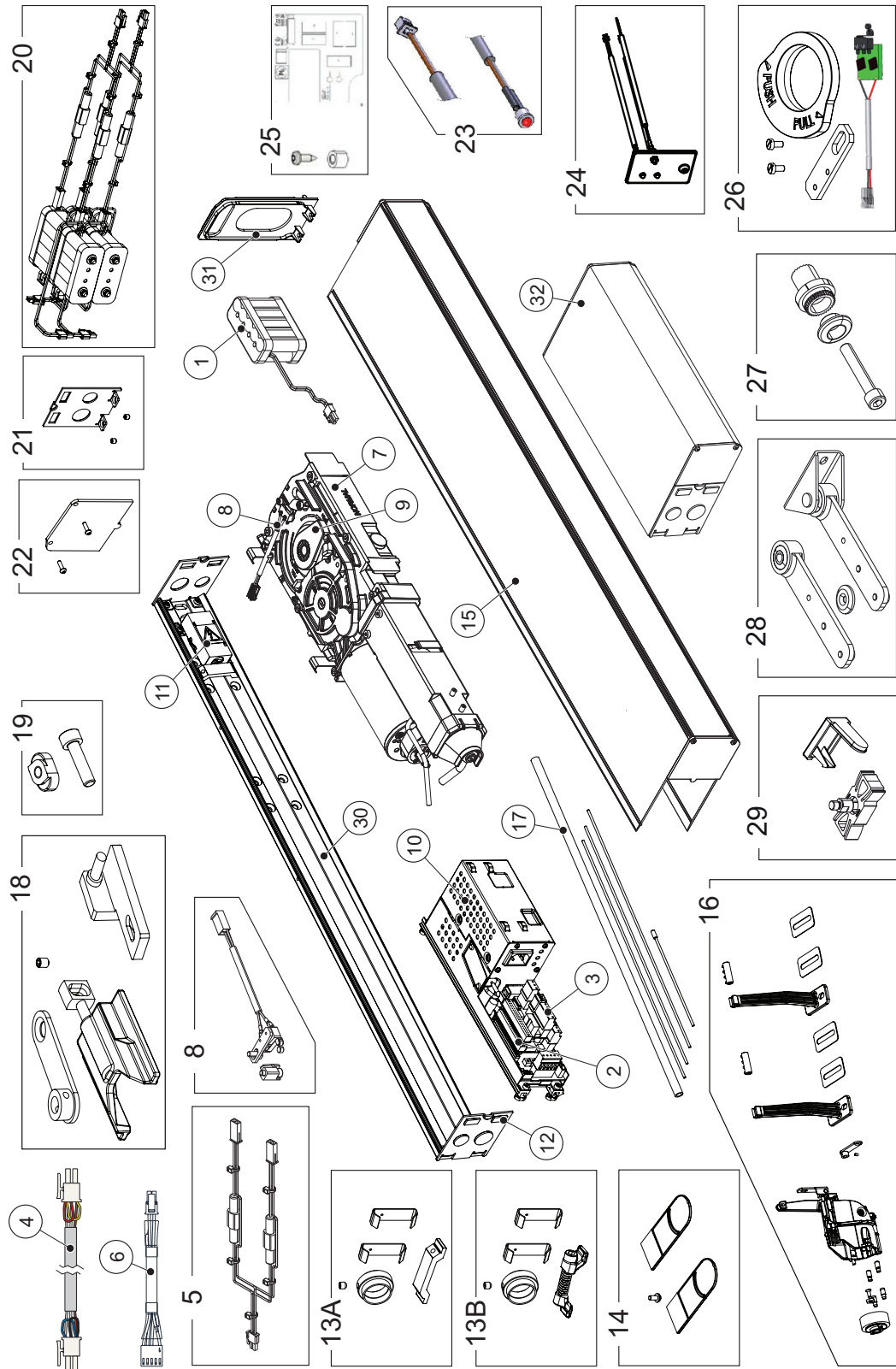
Pos.	Art. No.	Description
1	33738753	Battery NiMH 12V/1.2Ah
2	331003554	EXU-SI Kit for Security & Impulse
3	331003557	EXU-SA Kit for Safety
4	331003582	On/Off/Hold Open Switch Kit
5	331003583	Cable Sync Kit
6	331009741	Cable Kit
7	330000275	Micro Switch Kit (Lock Kick)
8	330000276	Stop Arm Kit
9	330000330	Rocker Switch On/Off (US)
10	330000331	Battery Extension Cable (EU)
11	331007291	Transmission Unit SW200
	331007317	Label Kit (US)
12	331007327	Fixing Kit
13	331007504	Connection Box (US)
14	331007752	CU-200 Control Unit
	331008346	CU-200 Control Unit with EXU boards
15	331008600	Breakaway Device
16	331008610	Micro Switch Breakaway
17	331009105	Encoder Cable
18	331009683	Cover Length CL=716mm, state energy performance level and surface treatment
	331009934	State cover length CL, R and/or S, energy performance level and surface treatment
19	330000683	Fixing for control unit CU-200
20	331003543BK	Bottom end plate SW100/SW200
	331003543SI	Bottom end plate SW100/SW200
21	331007478	Battery assembly SW200 (EU)
22	331008615	LED cable SW200/SW300
23	331008749BK	Top end plate SW100/SW200
	331008749SI	Top end plate SW100/SW200
24	331009828	Reset & Indication device SW200/SW300 (EU)
25	330000270BK	Adaptor kit
	330000270SI	Adaptor kit
26	330000271BK	Push arm service kit
	330000271SI	Push arm service kit
27	330000272BK	Pull/PAS arm service kit
	330000272SI	Pull/PAS arm service kit
	330000335BK	Pull/PAS arm service kit slim (EU)
	330000335SI	Pull/PAS arm service kit slim (EU)
28	331009513BK	Fill cover kit (EU)
	331009513SI	Fill cover kit (EU)
29	331015578BK	Middle cap (2 pcs)
	331015578SI	Middle cap (2 pcs)
30	331012753	Backplate

6.1 SW200 EU PUSH



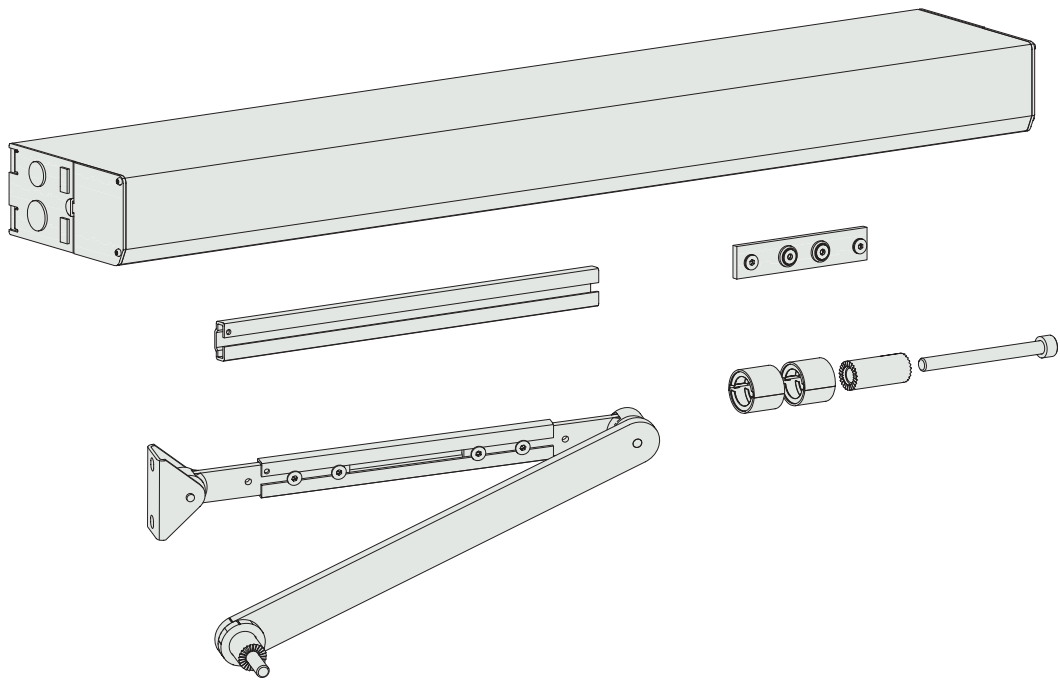
Pos.	Art. No.	Description
1	331019466BK	SW200 EU PUSH package
	331019466SI	SW200 EU PUSH package

7 Swing Door Operator, SW300/SW150



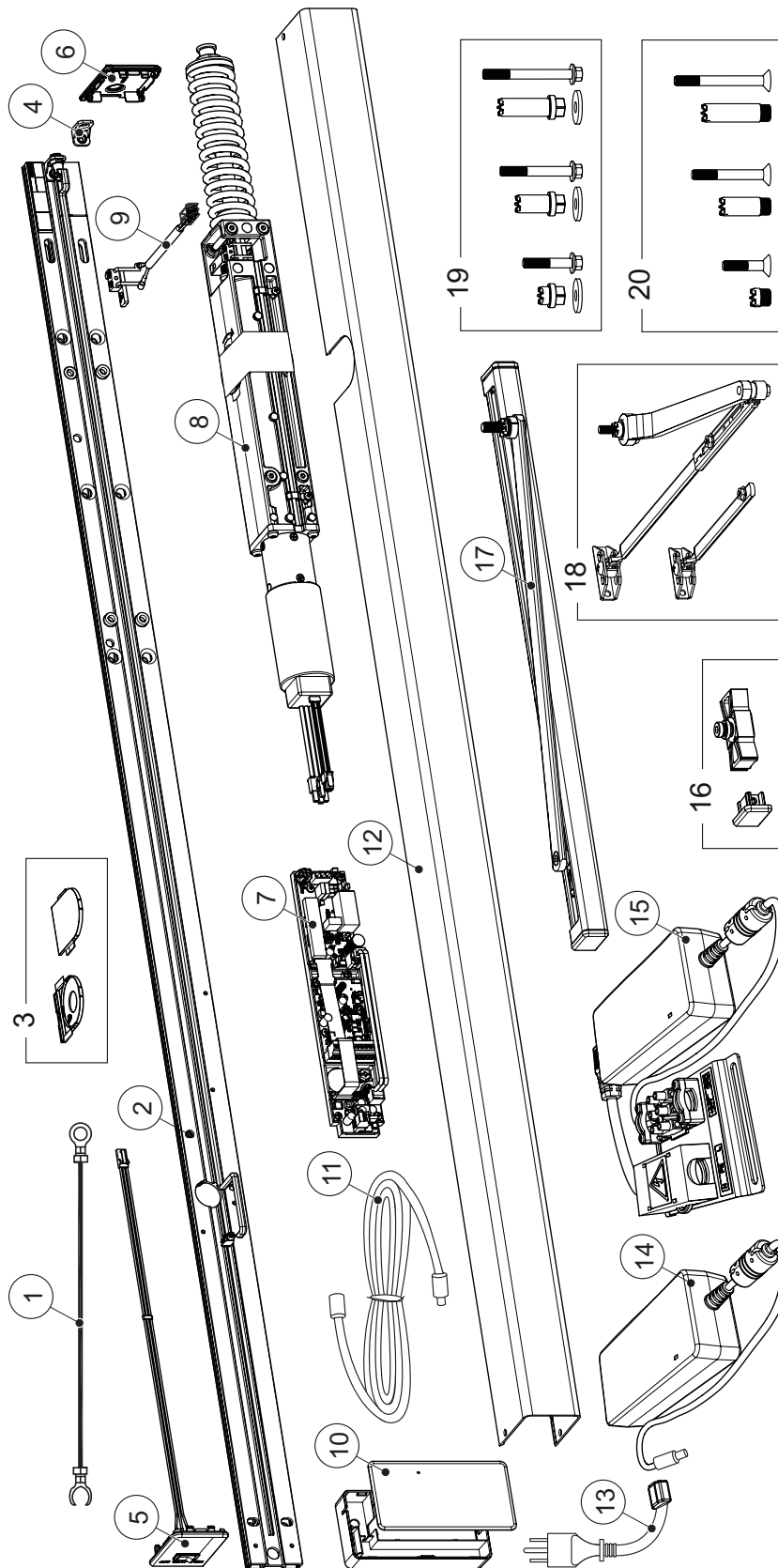
Pos.	Art. No.	Description
1	33738753	Battery NiMH 12V/1.2Ah
2	331003554	EXU-SI Kit for Security & Impulse
3	331003557	EXU-SA Kit for Safety
4	331003583	Cable sync kit
5	330000331	Battery extension Cable
6	331009105	Encoder Cable
7	331007819F	Transmission Unit kit SW300
	331009148	Transmission Unit kit SW150
8	331007845	Micro Switch Kit
9	331007849	Stop Arm Kit
10	331008333	Control Unit CU-300
11	331008344	Single Door Connection Box
12	331009166	Off/Auto/Open Switch
13A	331009183	Fixing kit. Transmission unit until w.1845.
13B	331017941	Fixing kit FB. Transmission unit from w.1845.
14	331009513BK	Fill cover
	331009513SI	Fill cover
15	331009515	Single cover, state BK/SI and Surface treatment
	331009584	Double Full Length Cover, state BK/SI, CL, R and S and Surface treatment
16	331013027	Coordinator top assembly kit
17	331013050	Rod kit
18	330000682	Coordinator service kit
19	330000684	Fixing for control unit CU-300
20	331007823	Battery assembly SW300
21	331007825BK	Bottom end plate SW300
	331007825SI	Bottom end plate SW300
22	331007829BK	Top end plate SW300
	331007829SI	Top end plate SW300
23	331008615	LED cable SW200/SW300
24	331009828	Reset & Indication device SW200/SW300
25	331010374	Closing brake kit SW300
26	331009903	Micro switch board & cam. For double action doors only
27	330000270BK	Adaptor kit
	330000270SI	Adaptor kit
28	330000271BK	Push arm service kit
	330000271SI	Push arm service kit
29	330000335BK	Pull arm service kit
	330000335SI	Pull arm service kit
30	331007821	Back plate
	331014103	Full back plate. State CL, R and /or S.
31	331015579BK	Middle cap SW300 (2 pcs)
	331015579SI	Middle cap SW300 (2 pcs)
32	331012324	Cover kit CU-300

7.1 SW300 EU PUSH



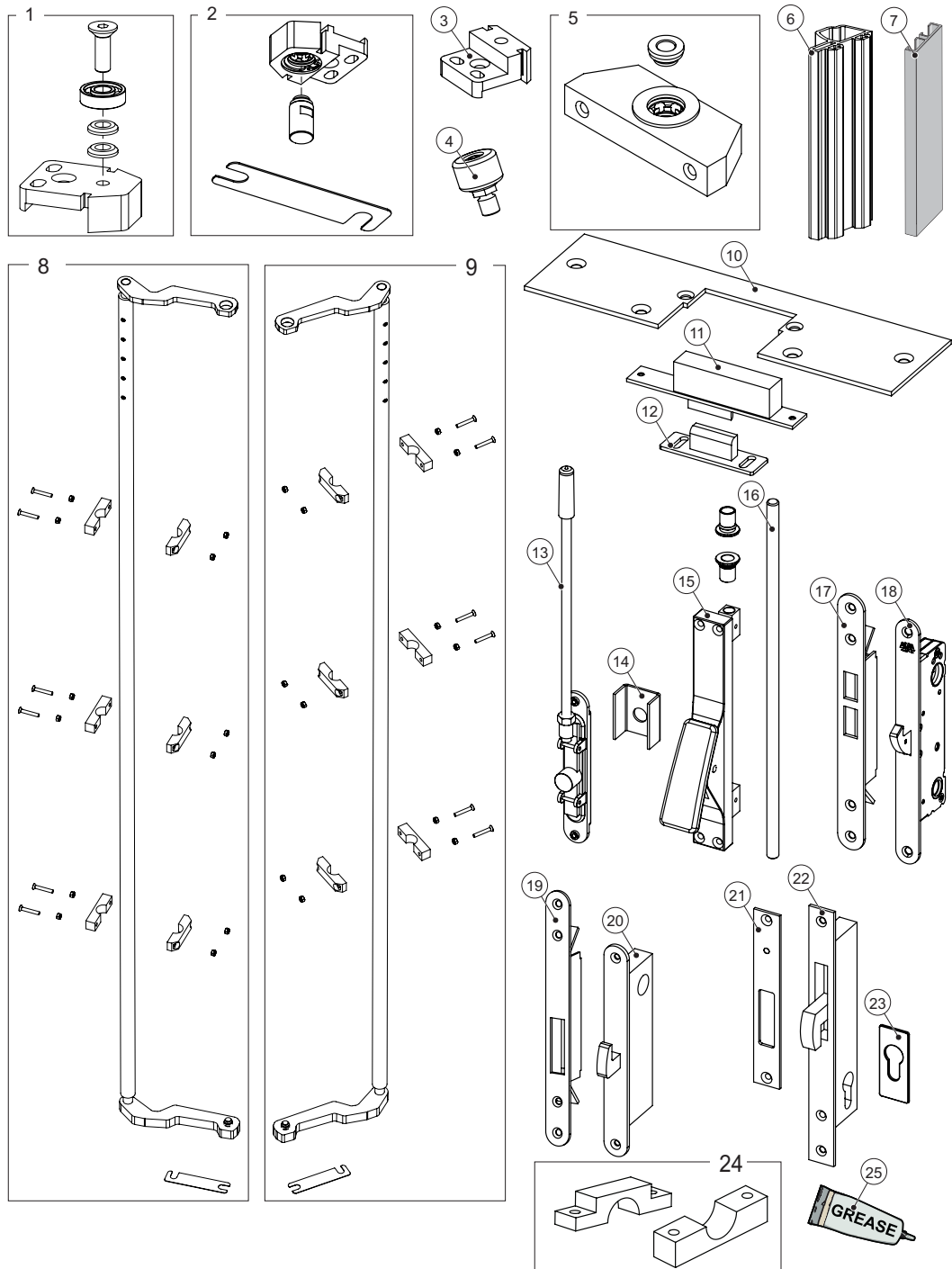
Pos.	Art. No.	Description
1	331019467BK	SW300 EU PUSH package
	331019467SI	SW300 EU PUSH package

8 Swing Door Operator, SW60 (For NA market only)



Item No.	Art. No.	Description
1	331020157	Ground wire
2	330000828	Back plate with power cable
3	331020445BK	Spindle cover kit (Black)
	331020445PD	Spindle cover kit (Grey)
4	331019785	Bracket power plug
5	331020810BK	Endplate with control switch (Black)
6	331019591BK	Endplate (Black)
7	331018537	Control unit (CU)
8	330000841	Transmission unit
9	330000829	Lock kick for PUSH & PULL
10	331020253	Adaptor holder
11	331704236	Extension power cable
12	331020809DB	Cover (Black)
	331020809NA	Cover (Silver)
13	331018859	Power cord
14	331703711	Power adaptor
15	331020293	Power box adaptor kit
16	330000830BK	PULL arm service kit (Black)
	330000830PD	PULL arm service kit (Grey)
17	331020226BK	PULL arm kit (Black)
	331020226PD	PULL arm kit (Grey)
18	331020857BK	PUSH arm kit (Black)
	331020857PD	PUSH arm kit (Grey)
19	330000831BK	Drive shaft kits for PUSH arm (Black)
20	330000832BK	Drive shaft kits for PULL arm (Black)

9 Balance Door Systems, SW1000B

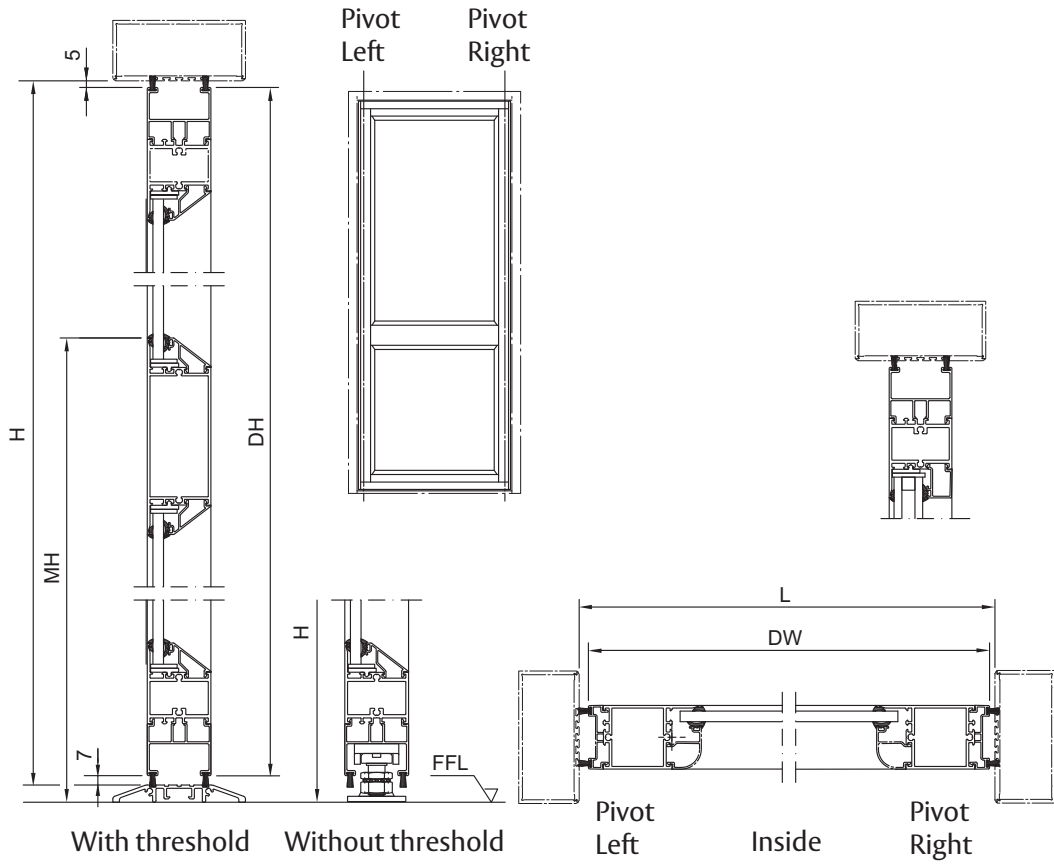


Pos.	Art. No.	Description
1	330000543	Bearing holder
2	330000544	Ball bearing complete
3	330000545	Roller holder
4	33830665	Guide roller complete
5	330000546	Thrust bearing kit
6	33700826	Rubber L=2600 mm
7	33700894	Rubber holder, L=2600 mm
8	330000549	Swing arm ASSA ABLOY SW1000B-L
9	330000550	Swing arm ASSA ABLOY SW1000B-R
10	33832631	Attachment plate
11	33832629	Electro-mechanical lock, locked without power
	33832630	Electro-mechanical lock, locked with power
12	33832624	Locking pin
13	331700063	Flush blot
14	331000268	Bracket left, break-out handle
15	331700033	Break-out handle, complete
16	331700035	ROD,L=2500
17	331700793	Striking plate, Assa 1487-9
18	331700792	Mechanical lock, Assa 411-35
19	33738527	Striking plate, Assa 468897
20	33738780	Mechanical lock, Abloy LC306
21	33738776	Striking plate
22	33738777	Mechanical lock, Wilka 1436
23	33738818	Cylinder bracket
24	330000719	Swing arm holder
25	33980	Grease WSP 5040

10 Manual Swing Door, left and right

Manual door left Art. No. 331003218

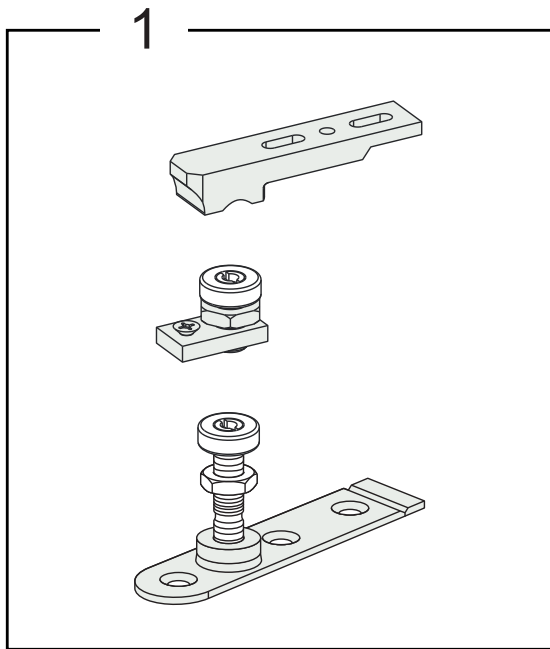
Manual door right Art. No. 331003219



State when ordering	
L =mm
<input type="checkbox"/>	Single door [DW = L - 11]
<input type="checkbox"/>	Double door [DW = (L - 18)/2]
H =mm
<input type="checkbox"/>	Threshold (DH = H - 12)
<input type="checkbox"/>	No threshold (DH = H - 25)
<input type="checkbox"/>	Midrail 70
<input type="checkbox"/>	Midrail 148
MH =mm
<input type="checkbox"/>	Bottom rail 178
<input type="checkbox"/>	Top rail 178
Surface treatment	
<input type="checkbox"/>	Silver anodized
<input type="checkbox"/>	Special anodized
<input type="checkbox"/>	RAL
<input type="checkbox"/>	Special powder coating.....
Glass	
<input type="checkbox"/>	6 mm laminated glass
<input type="checkbox"/>	8 mm laminated glass
<input type="checkbox"/>	10 mm laminated glass (Rectangular glazing beads)
<input type="checkbox"/>	6/10/6 mm insulated laminated glass

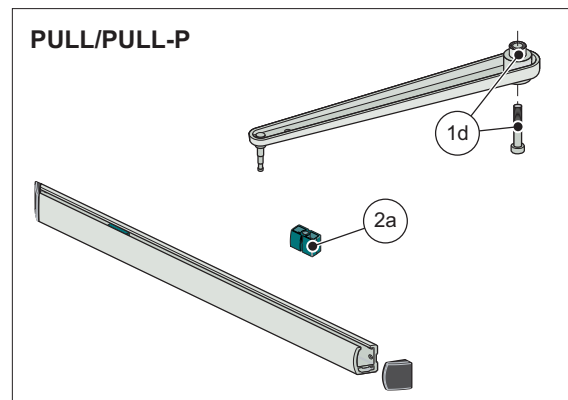
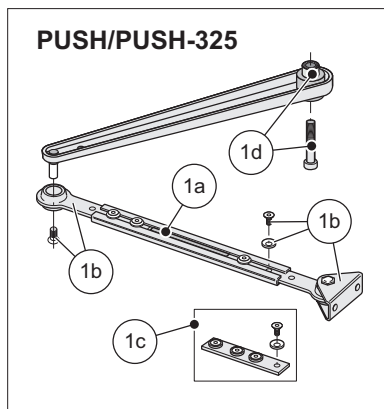
Options	
<input type="checkbox"/>	Mechanical hook bolt lock for Euro cylinder, one-way (cylinder 27/9 mm not included)
<input type="checkbox"/>	Mechanical hook bolt lock for Euro cylinder, two-way (cylinder 27/27 mm not included)
<input type="checkbox"/>	2 x Mechanical hook bolt lock for Euro cylinder, one-way (cylinder 27/9 mm not included)
<input type="checkbox"/>	2 x Mechanical hook bolt lock for Euro cylinder, two-way (cylinder 27/27 mm not included)
<input type="checkbox"/>	Flush bolt locking, top and bottom , accessible from inside
<input type="checkbox"/>	Handle , silver anodized

11 Header with transom closer



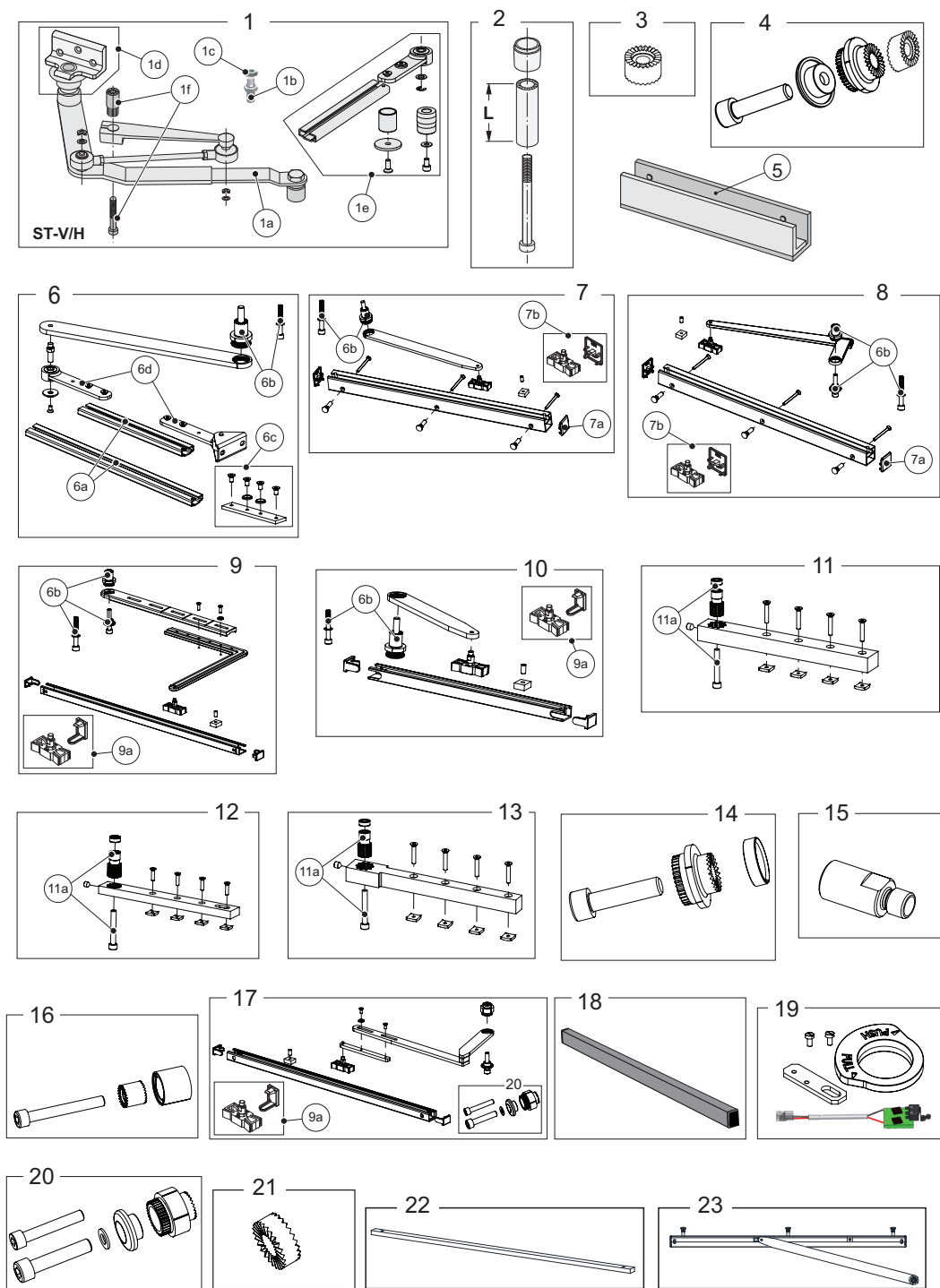
Pos.	Art. No.	Description
1	331700590	Pivot kit

12 Arm System (old version)



Pos.	Art. No.	Replace	Description
1a	33173004BK	173004	Telescopic part, L = 230 mm, black
	33173004SI		
	33173005BK		
	33173005SI	173005	Telescopic part, L = 345 mm, black
1b	331003888		PUSH Service kit
1c	33173191	173191	Extension joint, silver
1d	330000227		Adapter kit for PUSH/PULL arm
2a	173772		Slide Block PULL

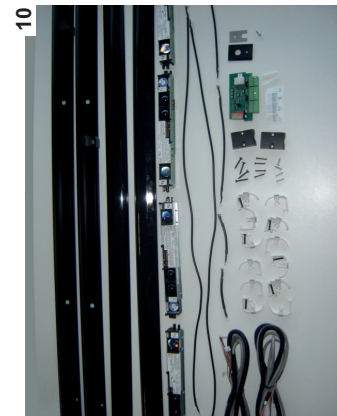
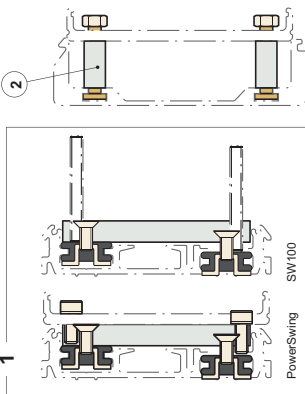
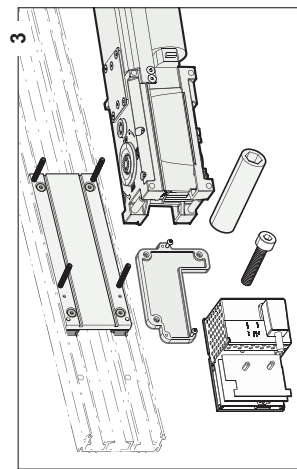
13 Arm System



Pos.	Art. No.	Replaces	Description
1	33172313	172313	Main arm system, left A=0-60 mm, ST-V, black
	33172315	172315	Main arm system, right A=0-60 mm, ST-H, black
1a	33172320	172320	ST-H/V long arm, A=61-100 mm, black
1b	33172336	172336	Tap
1c	33726001	726001	Nut
1d	33171860	171860	Bearing
1e	331003887		ST-V/H Service kit
1f	172881		Adaptor Kit
2	33173107BK		Shaft extension, 20 mm M8
	33173108BK		Shaft extension, 50 mm M8
	33173109BK		Shaft extension, 70 mm M8
3	331004897		Extension adaptor 14 mm
4	331007618		Lower Adaptor M8, suitable for PowerSwing and SW100 with PULL arm 1008401
5	33172071	172071	ST-H/V door fitting, butt hinge, A=0-100 mm, black
	33172325	172325	ST-H/V door fitting, pivot hinge, black
	33172327	172327	ST-H/V door fitting, pivot hinge, black
6	331007241BK		PUSH arm assembly (Drive arm 250)
	331007241SI		PUSH arm assembly (Drive arm 250)
	331007965BK		PUSH arm system (Drive arm 335)
	331007965SI		PUSH arm system (Drive arm 335)
6a	33173004BK		Telescopic part, L=230mm
	33173004SI		Telescopic part, L=230mm
	33173005BK		Telescopic part, L=345mm
	33173005SI		Telescopic part, L=345mm
6b	330000270BK		Adaptor kit M10 Standard
	330000270SI		Adaptor kit M10 Standard
6c	33173191		Joint assembly
6d	330000271BK		PUSH arm service kit
	330000271SI		PUSH arm service kit
7	331007251BK		PULL arm assembly
	331007251SI		PULL arm assembly
7a	331007252BK		PULL/PAS endcap kit
	331007252SI		PULL/PAS endcap kit
7b	330000272BK		PULL/PAS arm service kit
	330000272SI		PULL/PAS arm service kit

Pos.	Art. No.	Replaces	Description
8	331007247BK		PAS arm right assembly
	331007247SI		PAS arm right assembly
	331007476BK		PAS arm left assembly
	331007476SI		PAS arm left assembly
9	331012012BK		PUSH arm system 180 degree
	331012012SI		PUSH arm system 180 degree
9a	330000335BK		PULL arm system service kit slim
	330000335SI		PULL arm system service kit slim
10	331008401BK		PULL arm system with slim guide
	331008401SI		PULL arm system with slim guide
	331011998BK		PULL-220 PULL arm system
	331011998SI		PULL-220 PULL arm system
11	331009345		Mounting hardware kit 25 mm
11a	330000677		Adaptor Kit M10
12	331013082		Mounting hardware kit OHC 16 mm
13	331011289		OHC arm kit slim
14	331010296BK		Adaptor kit M10 Lower
	331010296SI		Adaptor kit M10 Lower
15	331011205		Extension 20mm
16	331008396BK		Extension kit 20 M10
	331008396SI		Extension kit 20 M10
	331008398BK		Extension kit 50 M10
	331008398SI		Extension kit 50 M10
	331008400BK		Extension kit 70 M10
	331008400SI		Extension kit 70 M10
17	331014090BK		Double acting kit LH / DIN R
	331014090SI		Double acting kit LH / DIN R
	331014091BK		Double acting kit RH / DIN L
	331014091SI		Double acting kit RH / DIN L
18	331014317BK		Spacer for PULL
	331014317SI		Spacer for PULL
19	331009903		Micro switch board & cam
20	330000699		Adaptor kit M10 Medium
21	331013081		Extension adapter M10, H=8 mm
22	331016512BK		Slim track spacer
	331016512SI		Slim track spacer
23	331014729BK		PULL-600, PULL arm system
	331014729SI		PULL-600, PULL arm system

14 Swing Door Modernization & Upgrade Kits



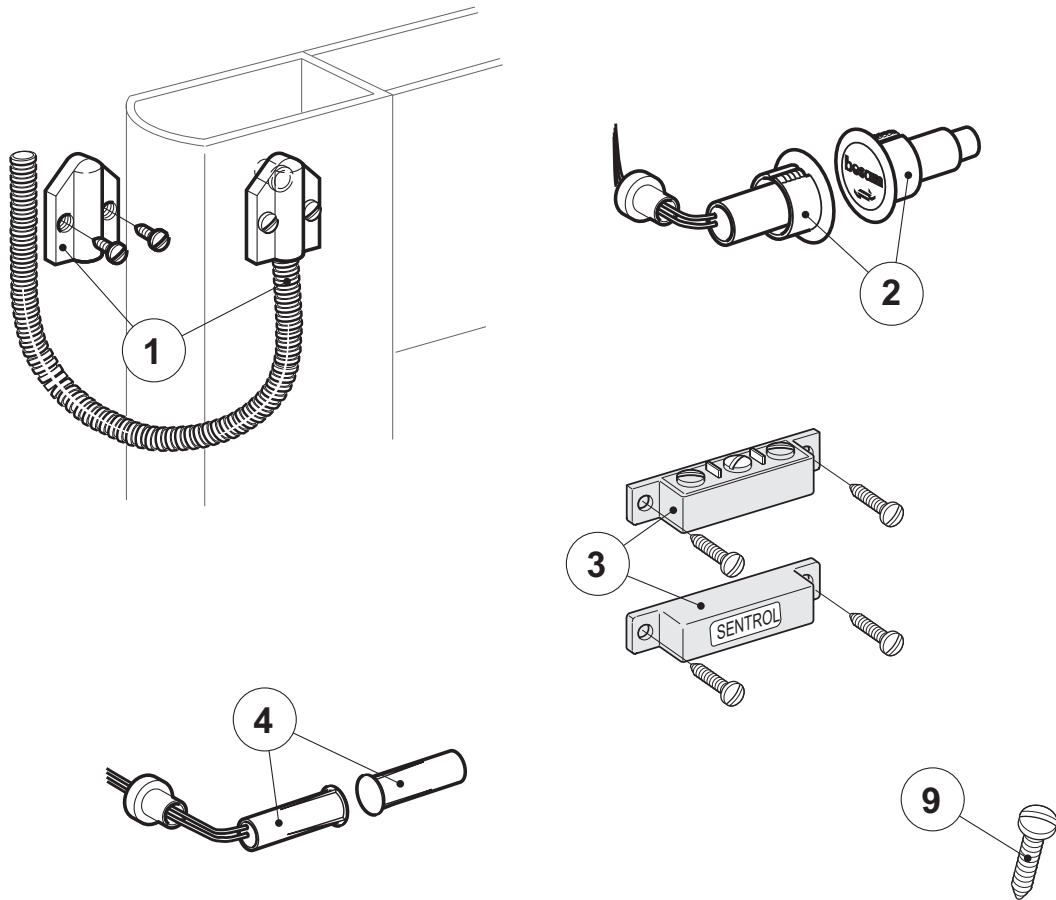
Pos.	Art. No.	Replace	Description
1	330000192		SW100/PowerSwing - replacement kit for OPB, without operator
2	330000193		PowerSwing - replacement kit for SDE/SDC, without operator
3	330000224		UniFit SW100 kit EU, complete replacement kit for OPB with operator
4	1010356		ASSA ABLOY M IK-Vitalization OHC, includes SW200 transmission unit, control unit, OHC arm, fixing details and label kit
5	1010357		ASSA ABLOY M IKS-Vitalization PUSH, includes SW200 transmission unit, control unit, PUSH arm, fixing details and label kit
6	1010358		ASSA ABLOY M IKS-Vitalization PULL, includes SW200 transmission unit, control unit, PULL arm, fixing details and label kit
7	1010359		ASSA ABLOY M IKS-Vitalization PAS-L, includes SW200 transmission unit, control unit, PAS-L arm, fixing details and label kit
8	1010360		ASSA ABLOY M IKS-Vitalization PAS-R, includes SW200 transmission unit, control unit, PAS-R arm, fixing details and label kit
9	1010361		ASSA ABLOY M SW100-Safety, includes cabel inlet, circuit board and sensors
10	1010362		ASSA ABLOY M PowerSwing-Safety, includes cabel inlet, control unit and sensors

15 General spare parts for Swing Doors



Pos.	Art. No.	Description
1	33833334	Finger protection finnprotect
2	33172974	Mounting bracket
3	331704135BK	Finger protection FRS 6000 L=1925 mm
	331704135SI	Finger protection FRS 6000 L=1925 mm
	331704136BK	Finger protection FRS 6000 L=2015 mm
	331704136SI	Finger protection FRS 6000 L=2015 mm
4	331704137	Finger protection cover profile FSA 8500 L=1980 mm
5	331704138	Adhesive kit S L=2500 mm

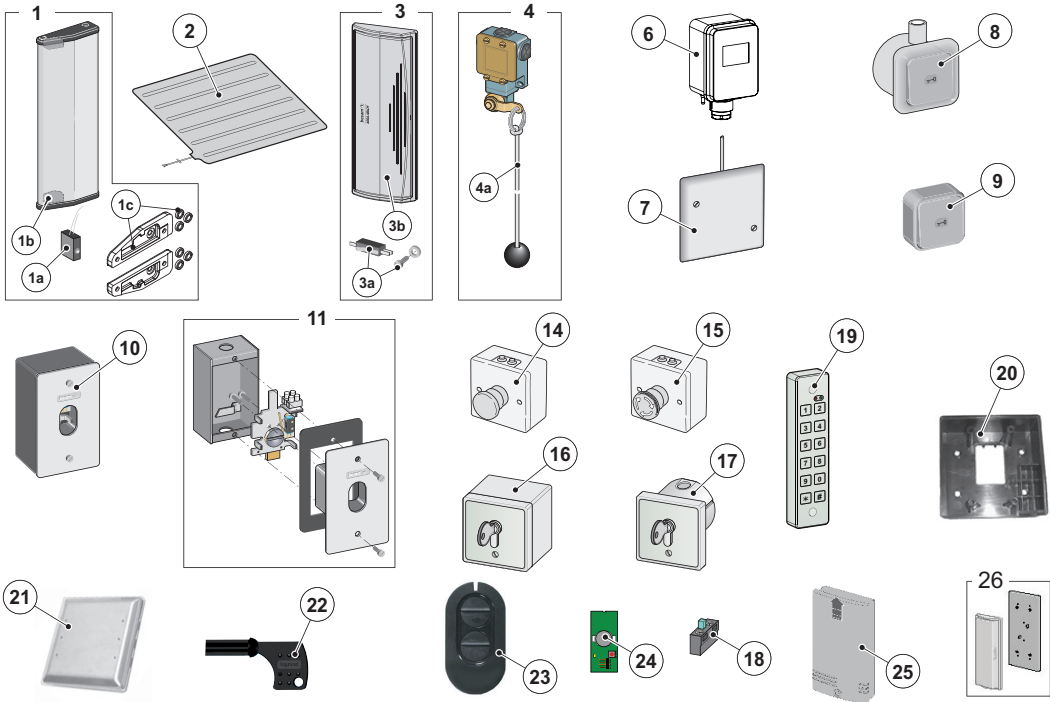
16 Activation Units, IFD (VP)



Pos.	Art. No.	Replace	Description
1	652328		Flexible PVC hose FLS, grey (L=350 mm)
2	652329		Magnetic contact for steel doors G1-S
3	652330	652331	Magnetic contact G2, grey
4	652352		Magnetic contact G1, not for steel doors
9	723126		Screw MCS M3x12 mm, galv., S

17 Spare Parts for Activation Units

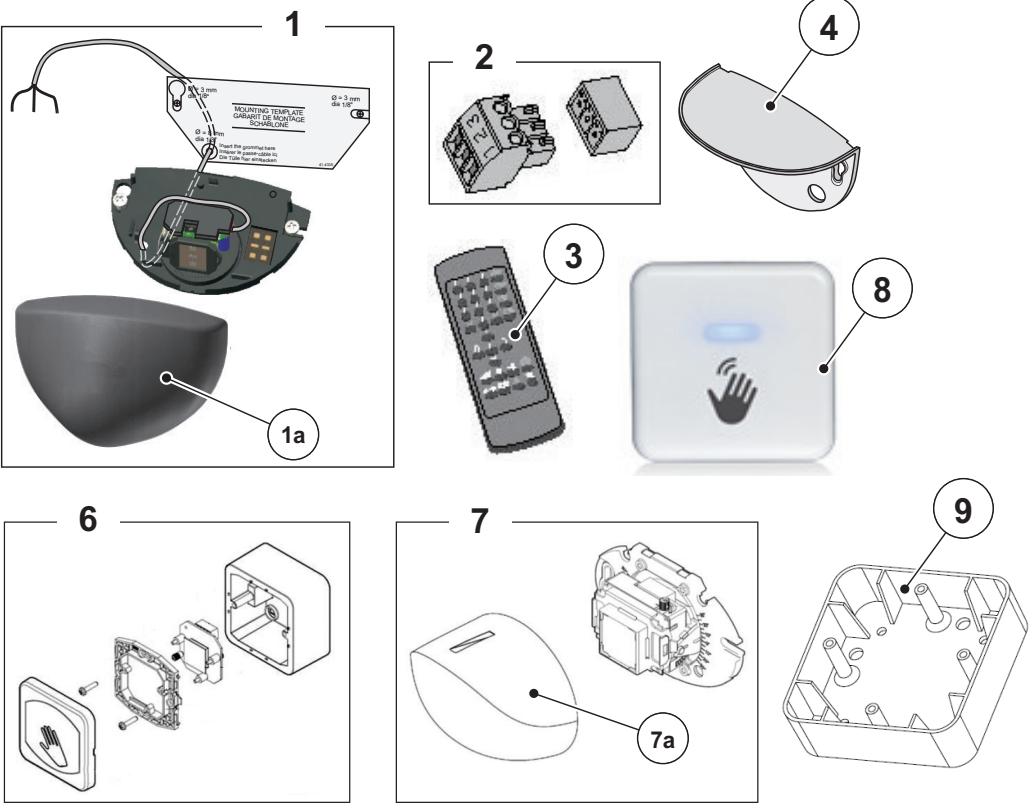
17.1 Manual Activation Units



Pos.	Art. No.	Replace	Description
1	600051		Elbow switch, aluminium new ES-P
1a	331013755	709451	Micro switch kit
1b	33655183		Rubber spring
1c	330000268		End plates
2	601001		Electric contact mat A-600, 584x432x4 mm
3	331007581	33602001	MA111-1 elbow switch
3a	651484		Switch set for additional indication, for MA111-1
3b	331007580		Black push plate for MA111-1 elbow switch
4	607001		Pull cord switch DK
4a	738101		Flag halyard, braided ø 4 mm, DK
6	666002		Pneumatic relay PNR-1
7	606003		Pneumatic kick switch SKP, excl. PNR-1
8	612002		Push button, flush mounted PBF
9	613002		Push button, surface mounted PBS
10	33652805	652805	Key switch contact, surface mounted KSS (excl. cyl.)
11	652806		Key switch contact, flush mounted KSF (excl. cyl.)
14	653726		Emergency button, non-locking EBN
15	33653727	653727	Emergency button, locking EBL
16	33709578	709578	Key switch contact, surface mounted KS-S with Euro cylinder
	331700692		Key switch contact, surface mounted KS-S without Euro cylinder
17	33709577	709577	Key switch contact, flush mounted KS-F with Euro cylinder
	331700691		Key switch contact, flush mounted KS-F without Euro cylinder
18	709586		Indication switch for KS-S/KS-F
19	800291	*2)	Keypad AS626S-200
20	709594		Surface mounting box, push plate
21	709593	709598	MA111-3 push plate switch, 114x114 mm
22	330000030		Emergency button key
23	331007631		MA144-1 4-channel hand transmitter
24	331007633		MA144-2 4-channel transmitter board
25	331007626		MA144-3 4-channel receiver, complete
26	33652758		Mounting plate

Note! *2) 800001 and 800004

17.2 Automatic Activation Units



Pos.	Art. No.	Replace	Description
1	331701402	1)	SA51 radar, direction sensing
1a	738736		Radar cover, SA51/R2/R3/R4
2	655761		3-pole connectors for radar cable joint, male+female
3	33738707	738707	RRC remote control for SA51/Activ8/Iris/R3 sensors
4	33738708	738708	RWP weather protection cap, for SA51/R2/R3 radars
6	331007635	331700739	SA13 touchless sensor
7	331701707		SA11 radar, direction sensing
	331701377		SA12 radar, bidirectional
7a	331007566		Cover for SA11/SA12 radar
8	331704419		Radar magic switch
9	331704420		Magic switch, surface mounting box

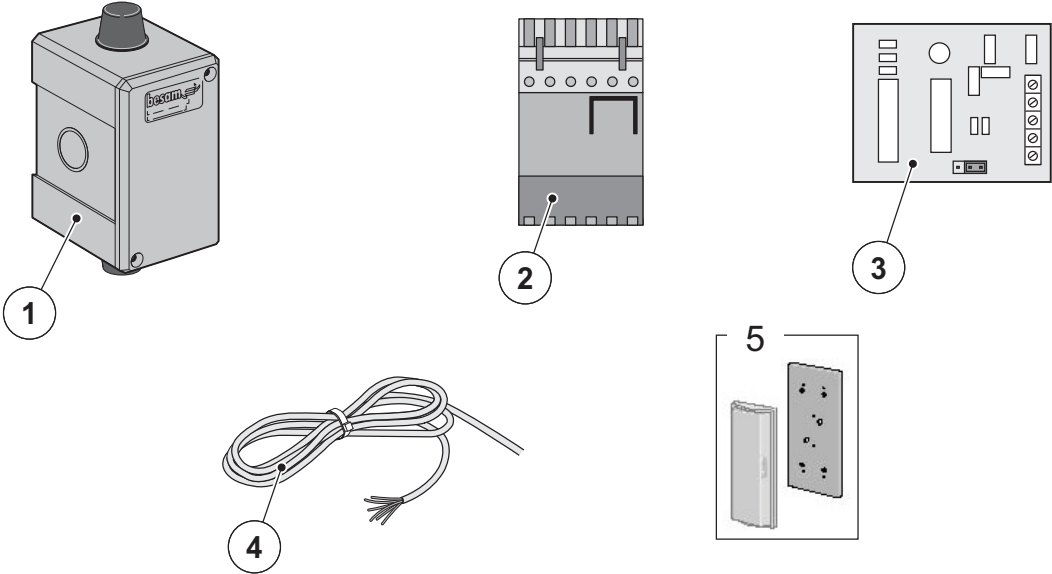
Note! 1) 648010, 648011, 738703, 738729, 33738703

17.3 Presence Detection Units



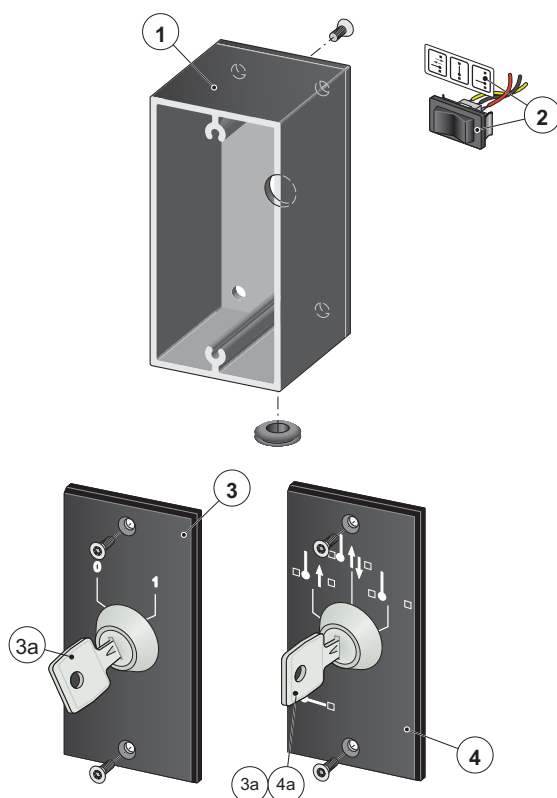
Pos.	Art. No.	Replace	Description
1	331701520		SP33-M sensor, L=340 mm
	331701522		SP33-M sensor, L=1200 mm
	331702302		SP33-M sensor, L=1200 mm with one sensor head
	331704051		SP51-M sensor L=900 mm with only one sensor head
1a	330000024		End caps L+R for Eye-Tech sensor
	330000261		End caps, set of L+R for SP33-M
1b	330000025		Front glass, L=860 mm for Eye-Tech
	330000262		Front glass, L=1145 mm for SP33-M
1c	330000263		SP33-M slave electronics incl. slave cable
2	330000181		Front glass, L=1468 mm for SP51-M
2a	330000180		End caps L+R for SP51-M
3	330000187	330000188	SP51-M electronics with Master and Slave cables
4	330000705		SP33-M Mounting clip left and right
5	331013199		Cable sensor adapter for SP51-M and SP33-M. To be mounted in the sensor L = 60 mm, see drawing 1013404
6	331702623		Whether protection to SP51 350 mm length
	331702624		Whether protection to SP51 1100 mm length
	331702625		Whether protection to SP51 1500 mm length
7	331007567		Cable inlet
8	331703180		SP59-M double
9	331703181		SP59-M single left
10	331703182		SP59-M single right
11	331703801		SP59-M protection cover kit left black
12	331703802		SP59-M protection cover kit right black

17.4 Accessories for Activation Units



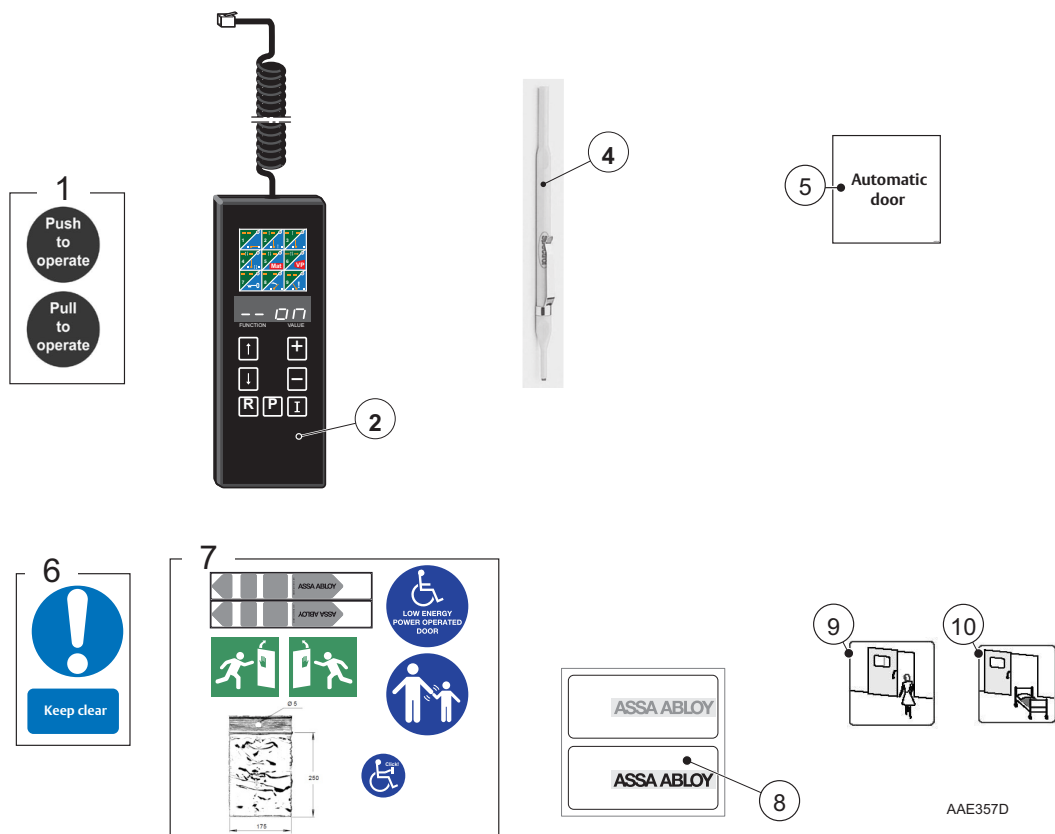
Pos.	Art. No.	Replace	Description
1	653620		Access impulse unit DBU
2	33655853		Voltage regulator 24V to 18V
3	331000640		PC Board Assembly OPEN/CLOSE
4	652205		Connection cable (not screened) 5x0,25 mm ² , L=?
	709461		Connection cable (screened) LIYCY 8x0,14 mm ² , L=?
	709462		Connection cable (screened) LIYCY 5x0,25 mm ² , L=?
	709555		Connection cable (not screened) LIYY 6x0,25 mm ² , L=?
5	33652758		Mounting plate

18 Programme Selectors



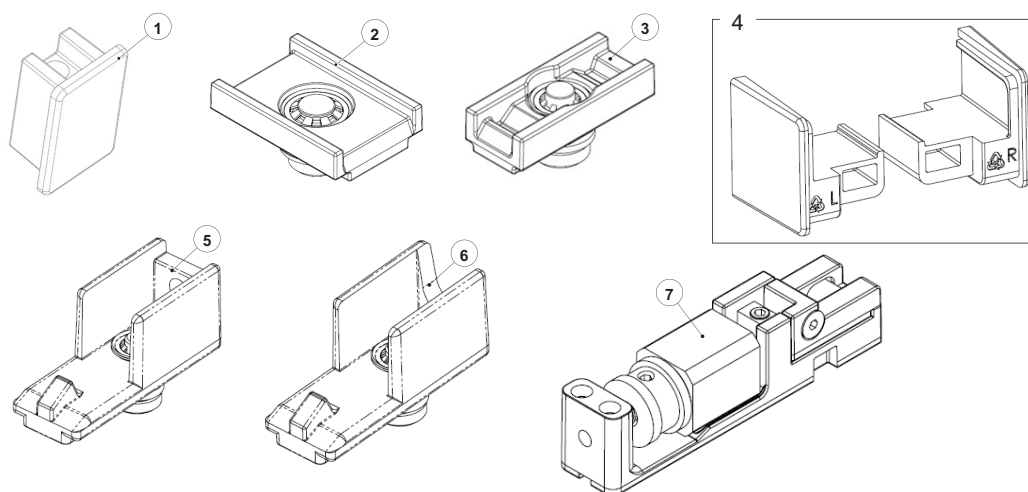
Pos.	Art. No.	Replace	Description
1	33655806	655806	Surface mounting box for progr. selector 2/4/6, black
2	33600080	600080	Programme selector, 3 pos. toggle-switch PS-3A
	331004117	1004117	Programme selector, 3 pos. toggle-switch PS-3B
3	33655844	655844	Programme selector, 2 pos. with key PSK-2, black
3a	33707435	707435	Spare key for PSK/PS-4C, "75200"
4	33655954	655954	Programme selector, 4 pos. with key PS-4H(for CSDA and older models), black
	33655845	655845	Programme selector, 4 pos. with key PS-4C, black
4a	33707468	707468	Spare key for PS-4H/5H, "93201"

19 General Tools and Labels



Pos.	Art. No.	Replace	Description
1	33701705		PUSH/PULL to operate label
2	33654509A	654509	Programming module PMD (6000 connections)
	33654509B	654509	Programming module PMD (2000 connections)
	33654509C	654509	Programming module PMD (400 connections)
	33654509D	654509	Programming module PMD (super user)
	33654509E	654509	Programming module PMD (customer version)
4	738602		Trimming screwdriver, for potentiometers
5	33701491		Automatic door label
6	33701492		Keep clear label
7	331005227		Label kit
8	33700019		Logotype
9	331001661		Nurse label
10	331001662		Bed label

20 Door closer



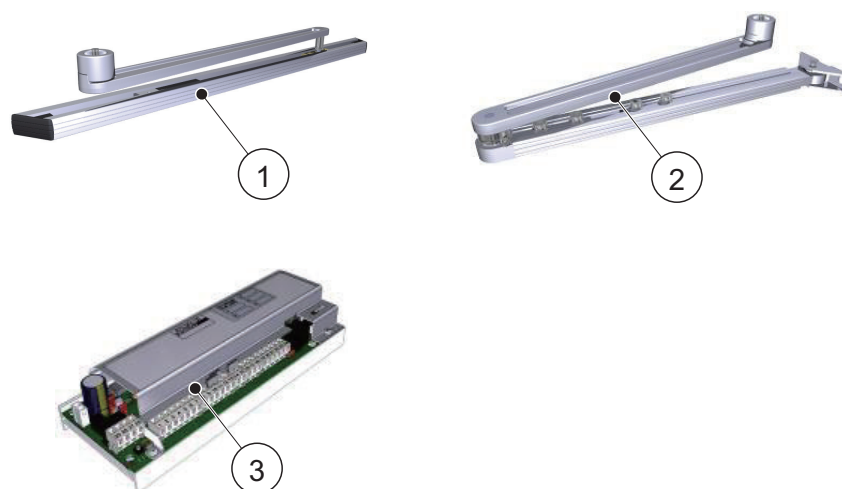
Pos.	Art. No.	Replace	Description
1	330000710		End piece for DC194 and DC494 grey
	330000711		End piece for DC194 and DC494 black
2	330000712		Sliding piece for DC194, DC494 and DC893
3	330000713		Sliding piece for DC892
4	330000714		End caps left and right for FD460-464 black
	330000715		End caps left and right for FD460-464 silver
5	330000716		Sliding piece active door for FD460-464
6	330000717		Sliding piece passive door for FD460-464
7	330000718		Hold open device for FD460-464

21 Competitor products



Pos.	Art. No.	Replace	Description
1	330000538		CSW 410(-S) pull arm > 800 mm
2	330000539		Controller CSW 410(-S)
3	330000540		Display f. controller CSW 410(-S)(330000539)

22 Record products



Pos.	Art. No.	Description
1	330000893	Sliding arm GG for DFA 127
2	330000894	Standard arm SG1 for DFA 127
3	330000895	Control unit STG 127

ASSA ABLOY Entrance Systems is a leading supplier of entrance automation solutions for efficient flow of goods and people. Building on the long-term success of the Besam, Albany and Megadoor brands, we offer our solutions under the ASSA ABLOY brand. Our products and services are dedicated to satisfying end-user needs for safe, secure, convenient and sustainable operations. ASSA ABLOY Entrance Systems is a division within ASSA ABLOY.

assaabloyentrance.com



ASSA ABLOY Entrance Systems

Tel: +46 10 47 47 000
info.aaes@assaabloy.com
assaabloyentrance.com